



US00D402188S

United States Patent [19]

[11] Patent Number: **Des. 402,188**

Hetner et al.

[45] Date of Patent: ****Dec. 8, 1998**

[54] **PORCH SWING BRACKETS**

3,747,971 7/1973 Yake .

[76] Inventors: **Isabelle R. Hetner; Timmie R. Hetner**, both of 145 Grove St., South Williamsport, Pa. 17701

4,070,823 1/1978 Schreyer et al. .

4,750,697 6/1988 Tontarelli 248/304

5,010,850 4/1991 Sailer .

5,016,873 5/1991 Bossa .

[**] Term: **14 Years**

OTHER PUBLICATIONS

[21] Appl. No.: **22,679**

Brochure distributed by American Inventors Corporation approximately during Oct. 1992.

[22] Filed: **May 10, 1994**

Primary Examiner—Holly Baynham

Related U.S. Application Data

[57] CLAIM

[63] Continuation of Ser. No. 924,246, Aug. 3, 1992, abandoned.

The ornamental design for a porch swing brackets, as shown and described.

[51] **LOC (6) Cl.** **08-05**

[52] **U.S. Cl.** **D8/373; D8/367**

[58] **Field of Search** D8/349, 354, 367, D8/373; 272/118; 248/301, 304, 339, 317, 302-303, 62

DESCRIPTION

[56] References Cited

U.S. PATENT DOCUMENTS

- D. 25,797 7/1896 Bowen D8/373
- D. 330,672 11/1992 Wilkinson, III D8/373
- 3,673,646 7/1972 Svensson .

FIG. 1 is a front elevational view of the porch swing brackets showing my new design;
 FIG. 2 is a rear elevational view thereof;
 FIG. 3 is a left side elevational view thereof;
 FIG. 4 is a right side elevational view thereof;
 FIG. 5 is a top plan view thereof; and,
 FIG. 6 is a bottom plan view thereof.

1 Claim, 3 Drawing Sheets

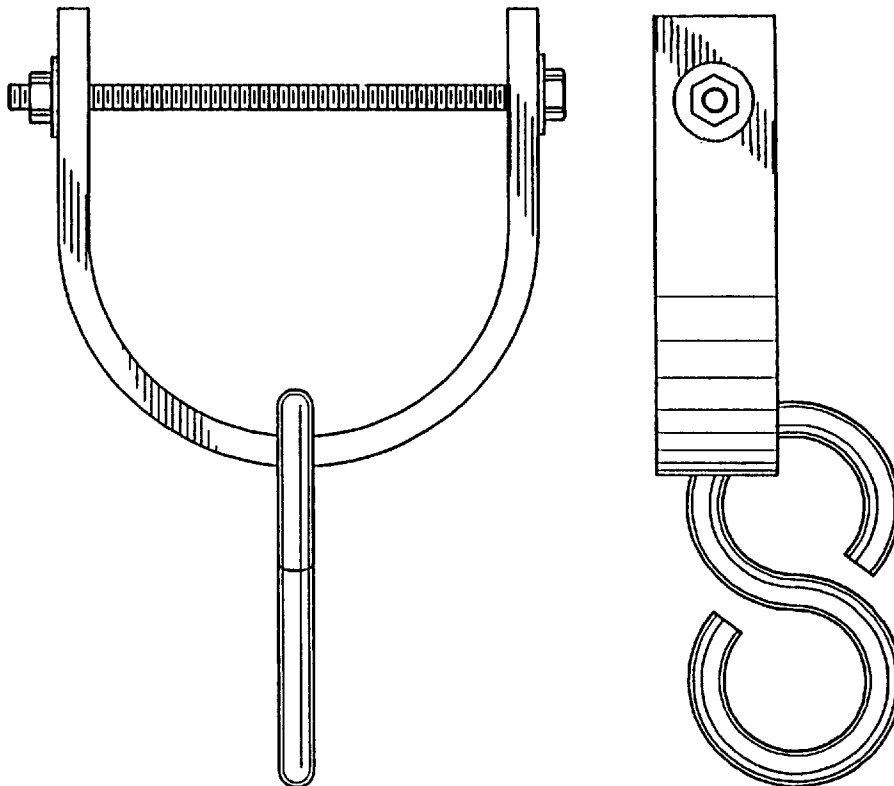


FIG. 1

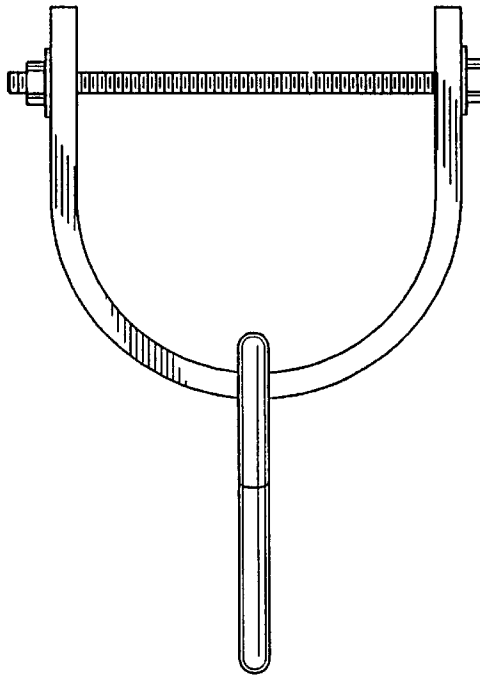


FIG. 2

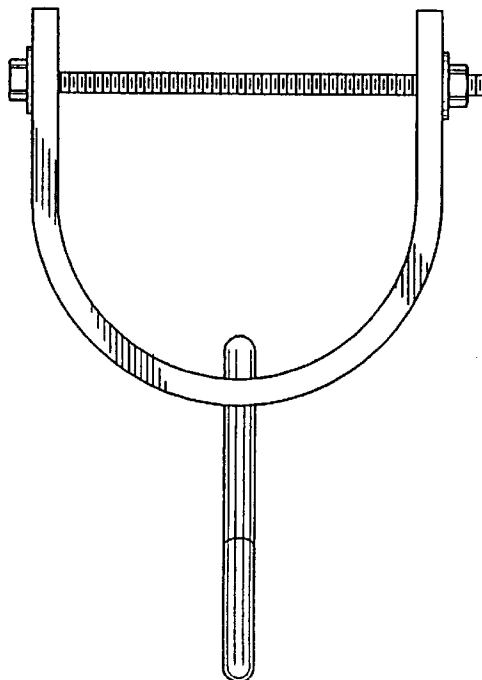


FIG. 3

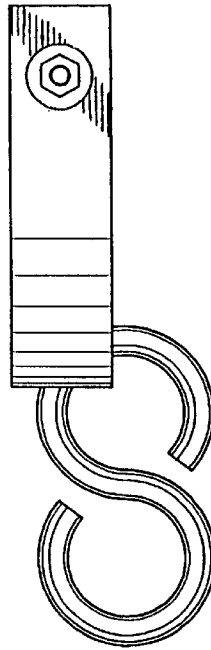


FIG. 4

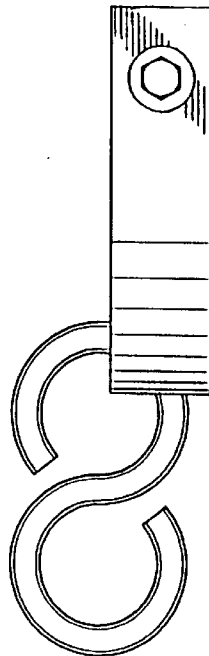


FIG. 5

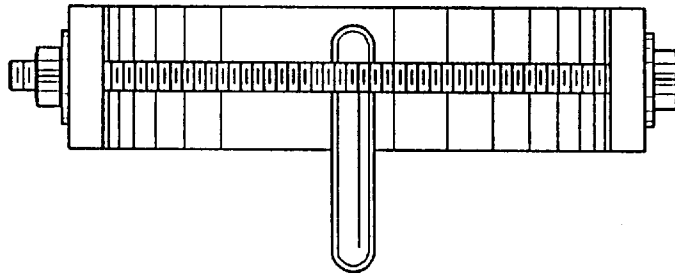


FIG. 6

