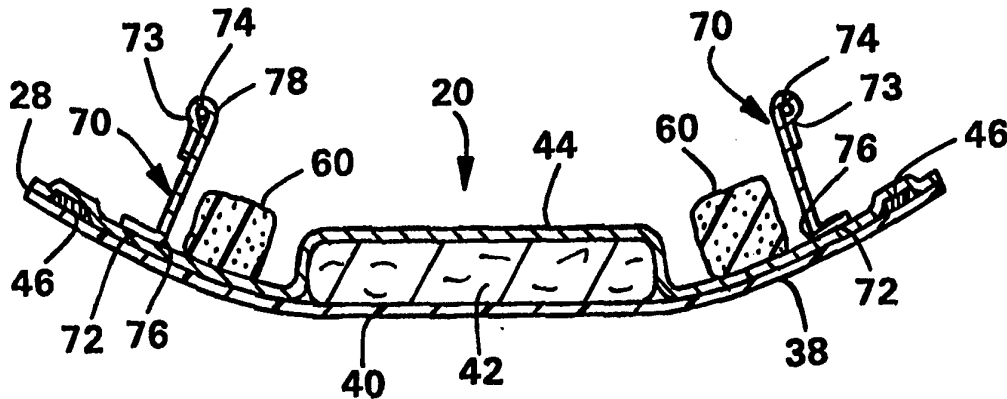




## INTERNATIONAL APPLICATION PUBLISHED UNDER THE PATENT COOPERATION TREATY (PCT)

<p>(51) International Patent Classification<sup>6</sup> : <b>A61F 13/15</b></p>	<p><b>A3</b></p>	<p>(11) International Publication Number: <b>WO 96/19167</b></p> <p>(43) International Publication Date: 27 June 1996 (27.06.96)</p>
<p>(21) International Application Number: PCT/US95/16181</p> <p>(22) International Filing Date: 14 December 1995 (14.12.95)</p> <p>(30) Priority Data: 08/362,611 21 December 1994 (21.12.94) US</p> <p>(71) Applicant: KIMBERLY-CLARK CORPORATION [US/US]; 401 North Lake Street, Neenah, WI 54956 (US).</p> <p>(72) Inventors: FAULKES, Michael, John; 2320 Fiesta Court, Neenah, WI 54956 (US). SCHLEINZ, Alan, Francis; 1312 West Cedar Street, Appleton, WI 54914 (US).</p> <p>(74) Agents: GAGE, Thomas, M. et al.; Kimberly-Clark Corpora- tion, 401 North Lake Street, Neenah, WI 54956 (US).</p>		<p>(81) Designated States: AM, AT, AU, BB, BG, BR, BY, CA, CH, CN, CZ, DE, DK, EE, ES, FI, GB, GE, HU, IS, JP, KE, KG, KP, KR, KZ, LK, LR, LT, LU, LV, MD, MG, MN, MW, MX, NO, NZ, PL, PT, RO, RU, SD, SE, SG, SI, SK, TJ, TM, TT, UA, UG, UZ, VN, European patent (AT, BE, CH, DE, DK, ES, FR, GB, GR, IE, IT, LU, MC, NL, PT, SE), OAPI patent (BF, BJ, CF, CG, CI, CM, GA, GN, ML, MR, NE, SN, TD, TG), ARIPO patent (KE, LS, MW, SD, SZ, UG).</p> <p><b>Published</b> <i>With international search report. Before the expiration of the time limit for amending the claims and to be republished in the event of the receipt of amendments.</i></p> <p>(88) Date of publication of the international search report: 7 November 1996 (07.11.96)</p>

(54) Title: ABSORBENT ARTICLE PROVIDING IMPROVED FECAL CONTAINMENT



## (57) Abstract

Described is an absorbent article (20) having a moisture barrier (40) and an absorbent assembly (42) disposed on the moisture barrier (40). In one embodiment, fecal containment members (60) of the absorbent article are positioned transversely outward of the absorbent assembly (42) between the absorbent assembly (42) and each longitudinal side edge (28) of the article. The fecal containment members have a wet compression recovery of at least about 85 percent and a mean pore size of at least about 1.5 millimeters.

**FOR THE PURPOSES OF INFORMATION ONLY**

Codes used to identify States party to the PCT on the front pages of pamphlets publishing international applications under the PCT.

AT	Austria	GB	United Kingdom	MR	Mauritania
AU	Australia	GE	Georgia	MW	Malawi
BB	Barbados	GN	Guinea	NE	Niger
BE	Belgium	GR	Greece	NL	Netherlands
BF	Burkina Faso	HU	Hungary	NO	Norway
BG	Bulgaria	IE	Ireland	NZ	New Zealand
BJ	Benin	IT	Italy	PL	Poland
BR	Brazil	JP	Japan	PT	Portugal
BY	Belarus	KE	Kenya	RO	Romania
CA	Canada	KG	Kyrgystan	RU	Russian Federation
CF	Central African Republic	KP	Democratic People's Republic of Korea	SD	Sudan
CG	Congo	KR	Republic of Korea	SE	Sweden
CH	Switzerland	KZ	Kazakhstan	SI	Slovenia
CI	Côte d'Ivoire	LI	Liechtenstein	SK	Slovakia
CM	Cameroon	LU	Luxembourg	SN	Senegal
CN	China	LK	Sri Lanka	TD	Chad
CS	Czechoslovakia	LV	Latvia	TG	Togo
CZ	Czech Republic	MC	Monaco	TJ	Tajikistan
DE	Germany	MD	Republic of Moldova	TT	Trinidad and Tobago
DK	Denmark	MG	Madagascar	UA	Ukraine
ES	Spain	ML	Mali	US	United States of America
FI	Finland	MN	Mongolia	UZ	Uzbekistan
FR	France			VN	Viet Nam
GA	Gabon				

# INTERNATIONAL SEARCH REPORT

International Application No

PCT/US 95/16181

A. CLASSIFICATION OF SUBJECT MATTER  
IPC 6 A61F13/15

According to International Patent Classification (IPC) or to both national classification and IPC

**B. FIELDS SEARCHED**

Minimum documentation searched (classification system followed by classification symbols)

IPC 6 A61F

Documentation searched other than minimum documentation to the extent that such documents are included in the fields searched

Electronic data base consulted during the international search (name of data base and, where practical, search terms used)

**C. DOCUMENTS CONSIDERED TO BE RELEVANT**

Category *	Citation of document, with indication, where appropriate, of the relevant passages	Relevant to claim No.
X	EP,A,0 203 712 (PROCTER & GAMBLE) 3 December 1986	1,2,4-6, 9,13,14, 16,17
A	see page 9, line 19 - page 10, line 28; figures	7,8,11, 12,15
---		
X	EP,A,0 251 332 (UNI CHARM CORP) 7 January 1988 see abstract; figures 1,2,4	1,3,10
---		
X	GB,A,2 256 803 (KAO CORP) 23 December 1992 see page 6, line 4 - page 7, line 5; figures	1
---		
A	FR,A,2 554 325 (KAO CORPORATION) 10 May 1985 see page 3, line 23 - page 5, line 14; figures	18
---		
-/--		

Further documents are listed in the continuation of box C.

Patent family members are listed in annex.

\* Special categories of cited documents :

- "A" document defining the general state of the art which is not considered to be of particular relevance
- "E" earlier document but published on or after the international filing date
- "L" document which may throw doubts on priority claim(s) or which is cited to establish the publication date of another citation or other special reason (as specified)
- "O" document referring to an oral disclosure, use, exhibition or other means
- "P" document published prior to the international filing date but later than the priority date claimed

- "T" later document published after the international filing date or priority date and not in conflict with the application but cited to understand the principle or theory underlying the invention
- "X" document of particular relevance; the claimed invention cannot be considered novel or cannot be considered to involve an inventive step when the document is taken alone
- "Y" document of particular relevance; the claimed invention cannot be considered to involve an inventive step when the document is combined with one or more other such documents, such combination being obvious to a person skilled in the art.
- "&" document member of the same patent family

Date of the actual completion of the international search

18 September 1996

Date of mailing of the international search report

01.10.96

Name and mailing address of the ISA

European Patent Office, P.B. 5818 Patentlaan 2  
NL - 2280 HV Rijswijk  
Tel. (+ 31-70) 340-2040, Tx. 31 651 epo nl,  
Fax: (+ 31-70) 340-3016

Authorized officer

Sánchez y Sánchez, J

INTERNATIONAL SEARCH REPORT

International Application No  
PCT/US 95/16181

C.(Continuation) DOCUMENTS CONSIDERED TO BE RELEVANT		
Category *	Citation of document, with indication, where appropriate, of the relevant passages	Relevant to claim No.
A	EP,A,0 219 326 (PROCTER & GAMBLE) 22 April 1987 see abstract	18
A	EP,A,0 274 752 (KIMBERLY CLARK CO) 20 July 1988	

## INTERNATIONAL SEARCH REPORT

International application No.

PCT/US95/16181

**Box I Observations where certain claims were found unsearchable (Continuation of item 1 of first sheet)**

This international search report has not been established in respect of certain claims under Article 17(2)(a) for the following reasons:

1.  Claims Nos.:  
because they relate to subject matter not required to be searched by this Authority, namely:
  
2.  Claims Nos.:  
because they relate to parts of the international application that do not comply with the prescribed requirements to such an extent that no meaningful international search can be carried out, specifically:
  
3.  Claims Nos.:  
because they are dependent claims and are not drafted in accordance with the second and third sentences of Rule 6.4(a).

**Box II Observations where unity of invention is lacking (Continuation of item 2 of first sheet)**

This International Searching Authority found multiple inventions in this international application, as follows:

1. Claims : 1-17 Absorbent article comprising fecal containment members made of porous material.
2. Claims : 18-28 Absorbent article comprising fecal passage elements.

1.  As all required additional search fees were timely paid by the applicant, this international search report covers all searchable claims.
2.  As all searchable claims could be searched without effort justifying an additional fee, this Authority did not invite payment of any additional fee.
3.  As only some of the required additional search fees were timely paid by the applicant, this international search report covers only those claims for which fees were paid, specifically claims Nos.:
  
4.  No required additional search fees were timely paid by the applicant. Consequently, this international search report is restricted to the invention first mentioned in the claims; it is covered by claims Nos.:

**Remark on Protest**

- The additional search fees were accompanied by the applicant's protest.
- No protest accompanied the payment of additional search fees.

# INTERNATIONAL SEARCH REPORT

information on patent family members

International Application No <b>PCT/US 95/16181</b>
--

Patent document cited in search report	Publication date	Patent family member(s)	Publication date
EP-A-0203712	03-12-86	US-A- 4657539	14-04-87
		AU-B- 577253	15-09-88
		AU-A- 5673086	30-10-86
		CA-A- 1288200	03-09-91
		GB-A,B 2174591	12-11-86
		HK-A- 104492	31-12-92
		JP-A- 61296103	26-12-86
		KR-Y- 9500013	07-01-95
		KR-Y- 9500014	07-01-95
		-----	
EP-A-0251332	07-01-88	JP-A- 63012705	20-01-88
		JP-B- 7071568	02-08-95
		JP-A- 63050501	03-03-88
		DE-D- 3787836	25-11-93
		ES-T- 2046978	16-02-94
		GB-A- 2193625	17-02-88
		US-A- 4892528	09-01-90
		-----	
GB-A-2256803	23-12-92	JP-A- 5003889	14-01-93
-----			
FR-A-2554325	10-05-85	JP-B- 1053361	14-11-89
		JP-C- 1569567	10-07-90
		JP-A- 60104502	08-06-85
		CA-A- 1238151	21-06-88
		DE-A- 3439775	15-05-85
		GB-A,B 2149289	12-06-85
		HK-A- 43688	17-06-88
		US-A- 4623342	18-11-86
-----			
EP-A-0219326	22-04-87	US-A- 4695278	22-09-87
		AU-B- 579080	10-11-88
		AU-A- 6369186	16-04-87
		CA-A- 1311879	29-12-92
		EG-A- 17945	30-03-91
		GB-A,B 2181336	23-04-87
		HK-A- 53592	30-07-92
		IE-B- 59004	15-12-93
		JP-B- 6093901	24-11-94
		JP-A- 62250201	31-10-87
		KR-B- 9408959	28-09-94

# INTERNATIONAL SEARCH REPORT

Information on patent family members

International Application No

PCT/US 95/16181

Patent document cited in search report	Publication date	Patent family member(s)	Publication date
EP-A-0219326		NZ-A- 217887 US-A- 4743246	26-07-95 10-05-88
-----			
EP-A-0274752	20-07-88	US-A- 4770656 AU-A- 8312187 CA-A- 1286052 JP-A- 63243308 US-A- 4834738	13-09-88 07-07-88 16-07-91 11-10-88 30-05-89
-----			