



US00D764728S

(12) **United States Design Patent**
Choi et al.

(10) **Patent No.:** **US D764,728 S**

(45) **Date of Patent:** **** Aug. 23, 2016**

(54) **WATER SUPPLY NOZZLE FOR WASHING MACHINE**

(71) Applicant: **Samsung Electronics Co., Ltd.,**
Suwon-si (KR)

(72) Inventors: **Hyong-Sub Choi, Goyang-si (KR);**
Deok-Sang Yun, Ansan-si (KR)

(73) Assignee: **SAMSUNG ELECTRONICS CO.,**
LTD. (KR)

(**) Term: **15 Years**

(21) Appl. No.: **29/530,938**

(22) Filed: **Jun. 22, 2015**

(30) **Foreign Application Priority Data**

Dec. 22, 2014 (KR) 30-2014-0062381

(51) **LOC (10) Cl.** **15-05**

(52) **U.S. Cl.**

USPC **D32/25**

(58) **Field of Classification Search**

USPC D32/1, 5-6, 8, 25, 28, 29

CPC ... D06F 33/02; D06F 39/02; D06F 2204/065;

D06F 25/00; D06F 35/006

See application file for complete search history.

(56) **References Cited**

U.S. PATENT DOCUMENTS

D573,761 S * 7/2008 Williams D32/25

D591,919 S * 5/2009 Medema D32/25

D600,417 S *	9/2009	Geyer	D32/25
D607,622 S *	1/2010	Blateri	D32/25
D650,138 S *	12/2011	Lavy	D32/25
D650,139 S *	12/2011	Lavy	D32/25
D659,921 S *	5/2012	Smith	D32/25
D698,107 S *	1/2014	Selby	D32/25
D698,108 S *	1/2014	Selby	D32/25
D726,982 S *	4/2015	Campelli	D32/25
D728,737 S *	5/2015	Mueller	D23/213
D728,876 S *	5/2015	Scarpellini	D32/25
D729,474 S *	5/2015	Helfert	D32/25
D735,432 S *	7/2015	Dietvorst	D32/29.1

* cited by examiner

Primary Examiner — Michael A. Pratt

Assistant Examiner — Michelle E Wilson

(74) *Attorney, Agent, or Firm* — Cantor Colburn LLP

(57) **CLAIM**

The ornamental design for a water supply nozzle for washing machine, as shown and described.

DESCRIPTION

FIG. 1 is a perspective view of a water supply nozzle for washing machine, showing our new design;

FIG. 2 is a front view thereof;

FIG. 3 is a rear view thereof;

FIG. 4 is a side view thereof;

FIG. 5 is another side view thereof;

FIG. 6 is a top view thereof;

FIG. 7 is a bottom view thereof; and,

FIG. 8 is a bottom perspective view thereof.

1 Claim, 8 Drawing Sheets

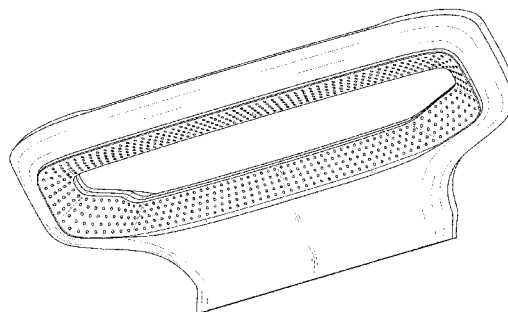
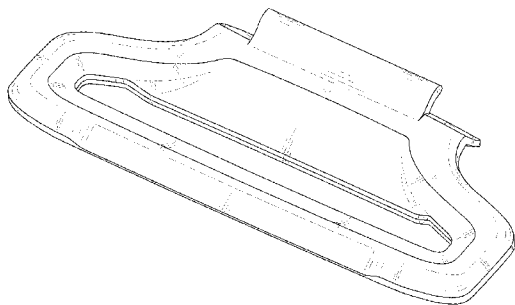


FIG. 1

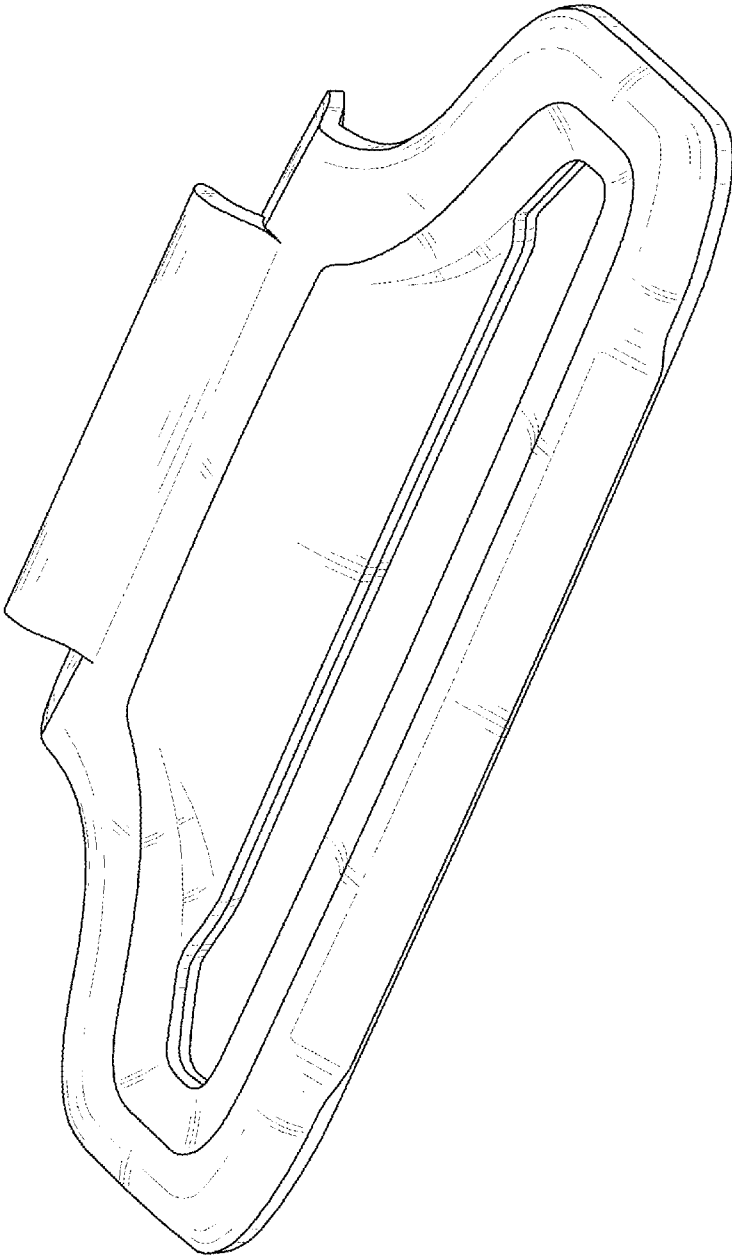


FIG. 2

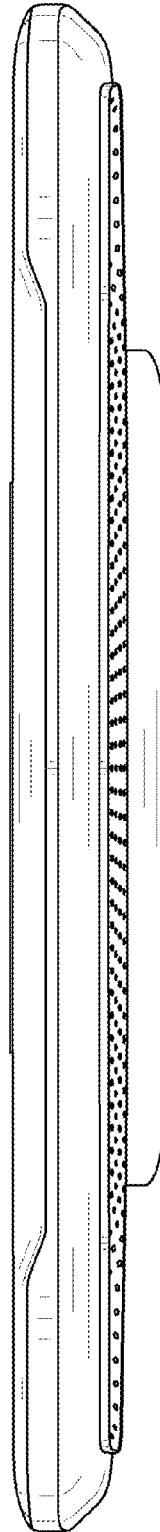


FIG. 3

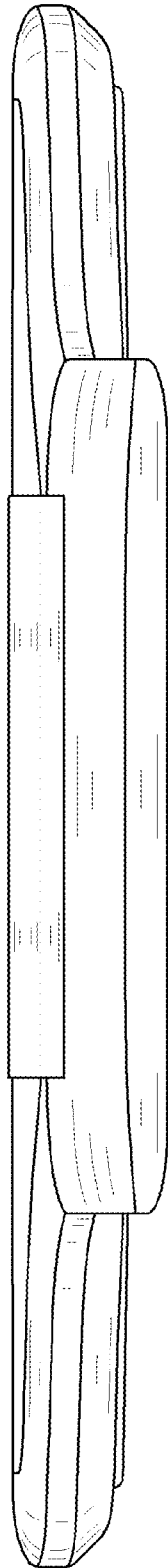


FIG. 4

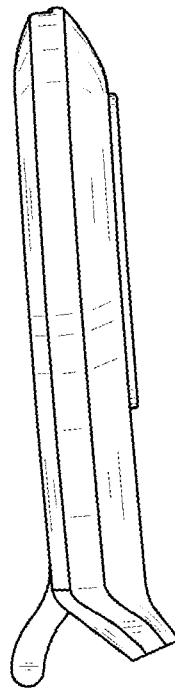


FIG. 5

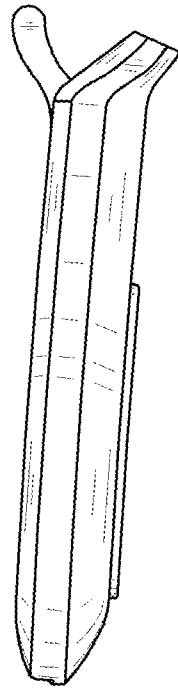


FIG. 6

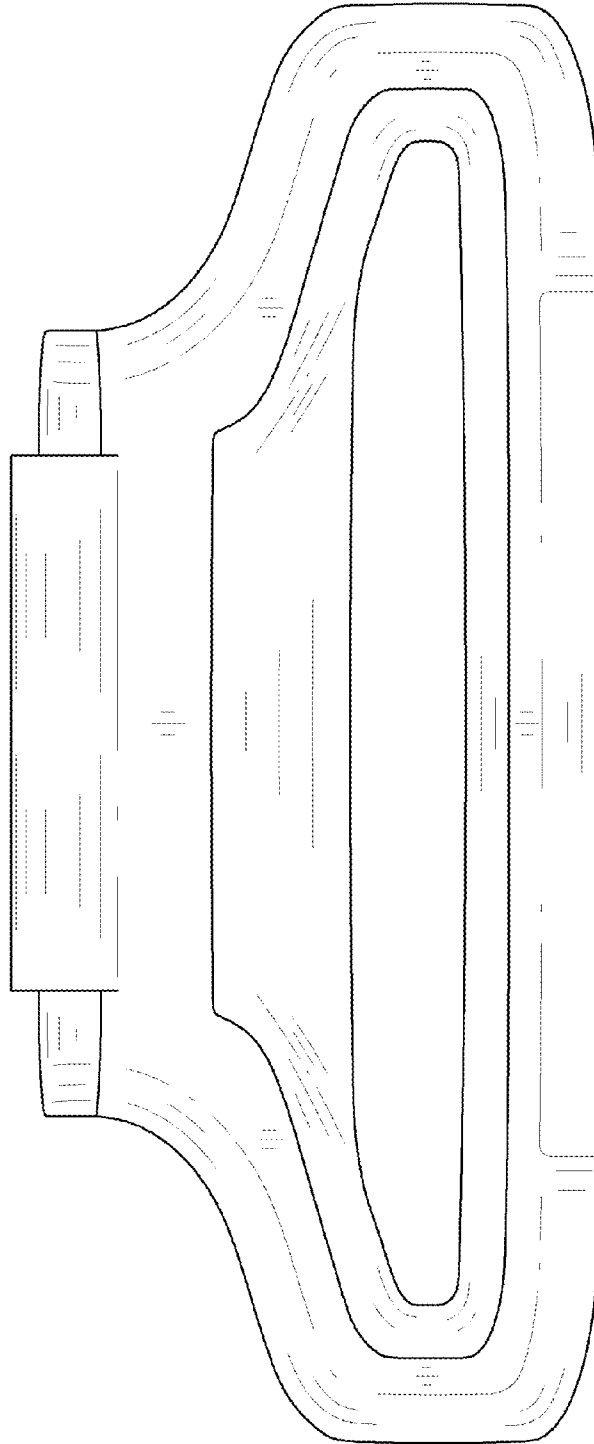


FIG. 7

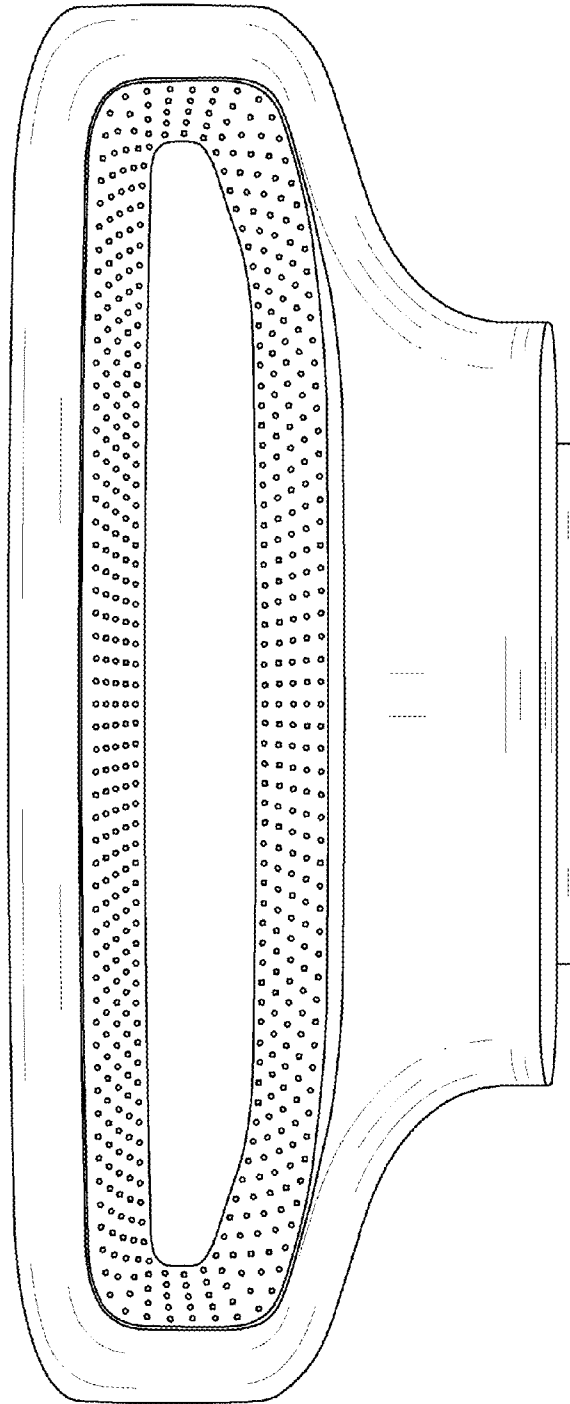


FIG. 8

