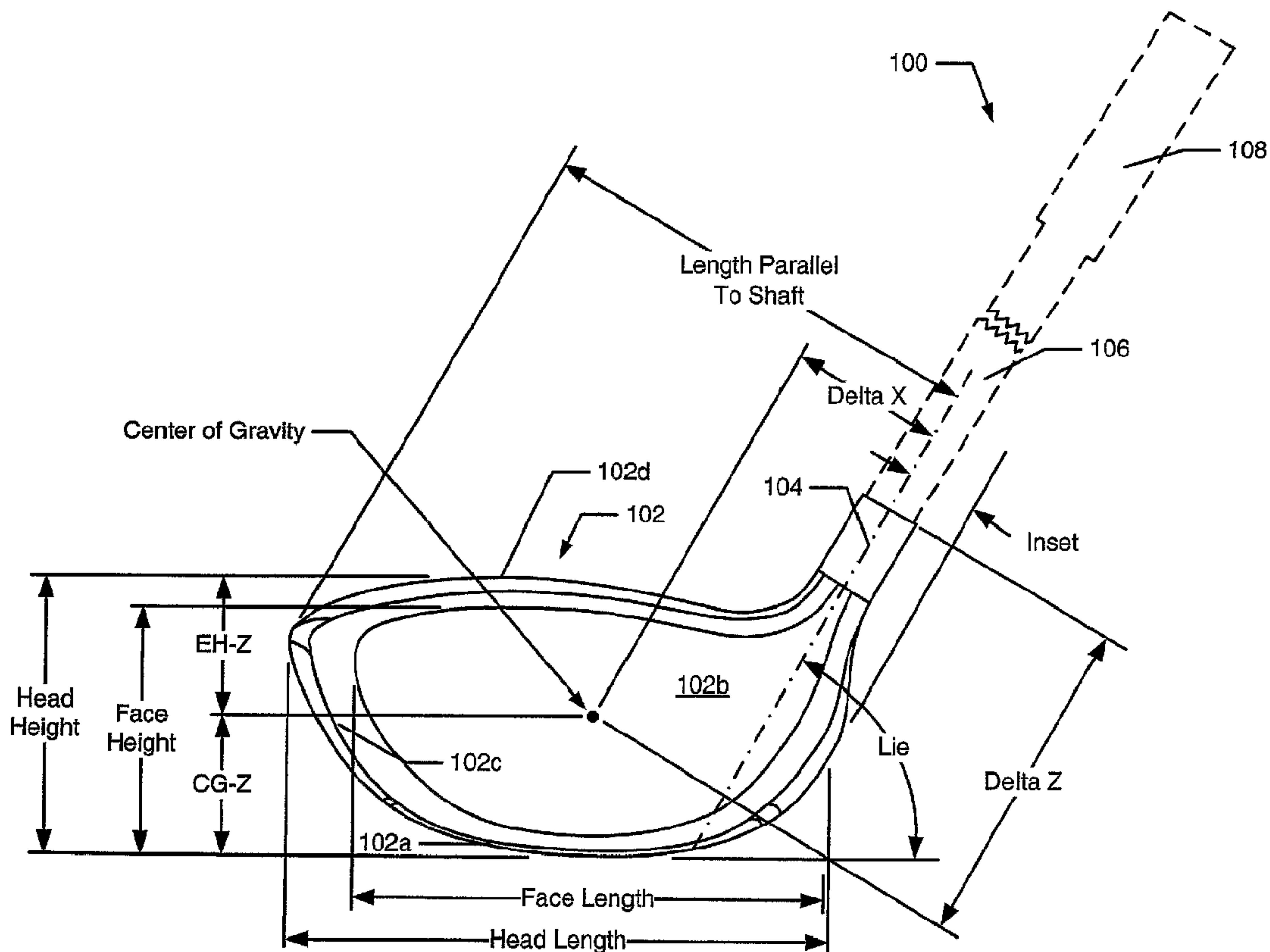




(86) Date de dépôt PCT/PCT Filing Date: 2005/09/12
 (87) Date publication PCT/PCT Publication Date: 2006/11/16
 (45) Date de délivrance/Issue Date: 2011/07/12
 (85) Entrée phase nationale/National Entry: 2007/10/19
 (86) N° demande PCT/PCT Application No.: US 2005/032124
 (87) N° publication PCT/PCT Publication No.: 2006/121460
 (30) Priorité/Priority: 2005/05/10 (US11/125,327)

(51) Cl.Int./Int.Cl. *A63B 53/04* (2006.01)
 (72) Inventeurs/Inventors:
 STITES, JOHN T., US;
 TAVARES, GARY G., US
 (73) Propriétaire/Owner:
 NIKE INTERNATIONAL LTD., US
 (74) Agent: SMART & BIGGAR

(54) Titre : CANNES DE GOLF ET TETES DE CANNES DE GOLF
 (54) Title: GOLF CLUBS AND GOLF CLUB HEADS



(57) **Abrégé/Abstract:**

Golf clubs and/or golf club heads include a club head body defining an interior chamber, structure for engaging a shaft with the body, and/or a shaft engaged with the body. The club head body may have an overall length of at least 4.5 inches and an overall breadth of at least 4.2 inches. In other examples, the club head body may have an overall length of at least 4.6 inches and a ratio of the overall breadth dimension to the overall length dimension of 1 or less. If desired, the ratio of the head breadth to head length dimensions may be in a range from at least 0.94 to 1 or less.

(12) INTERNATIONAL APPLICATION PUBLISHED UNDER THE PATENT COOPERATION TREATY (PCT)

(19) World Intellectual Property Organization
International Bureau(43) International Publication Date
16 November 2006 (16.11.2006)

PCT

(10) International Publication Number
WO 2006/121460 A1(51) International Patent Classification:
A63B 53/04 (2006.01)(21) International Application Number:
PCT/US2005/032124(22) International Filing Date:
12 September 2005 (12.09.2005)

(25) Filing Language: English

(26) Publication Language: English

(30) Priority Data:
11/125,327 10 May 2005 (10.05.2005) US(71) Applicant (for JP, KR only): NIKE, INC. [US/US]; One
Bowerman Dr., Beaverton, OR 97005 (US).(71) Applicant (for all designated States except JP, KR, US):
NIKE INTERNATIONAL LTD. [GB/US]; One Bower-
man Drive, Beaverton, OR 97005 (US).

(72) Inventors; and

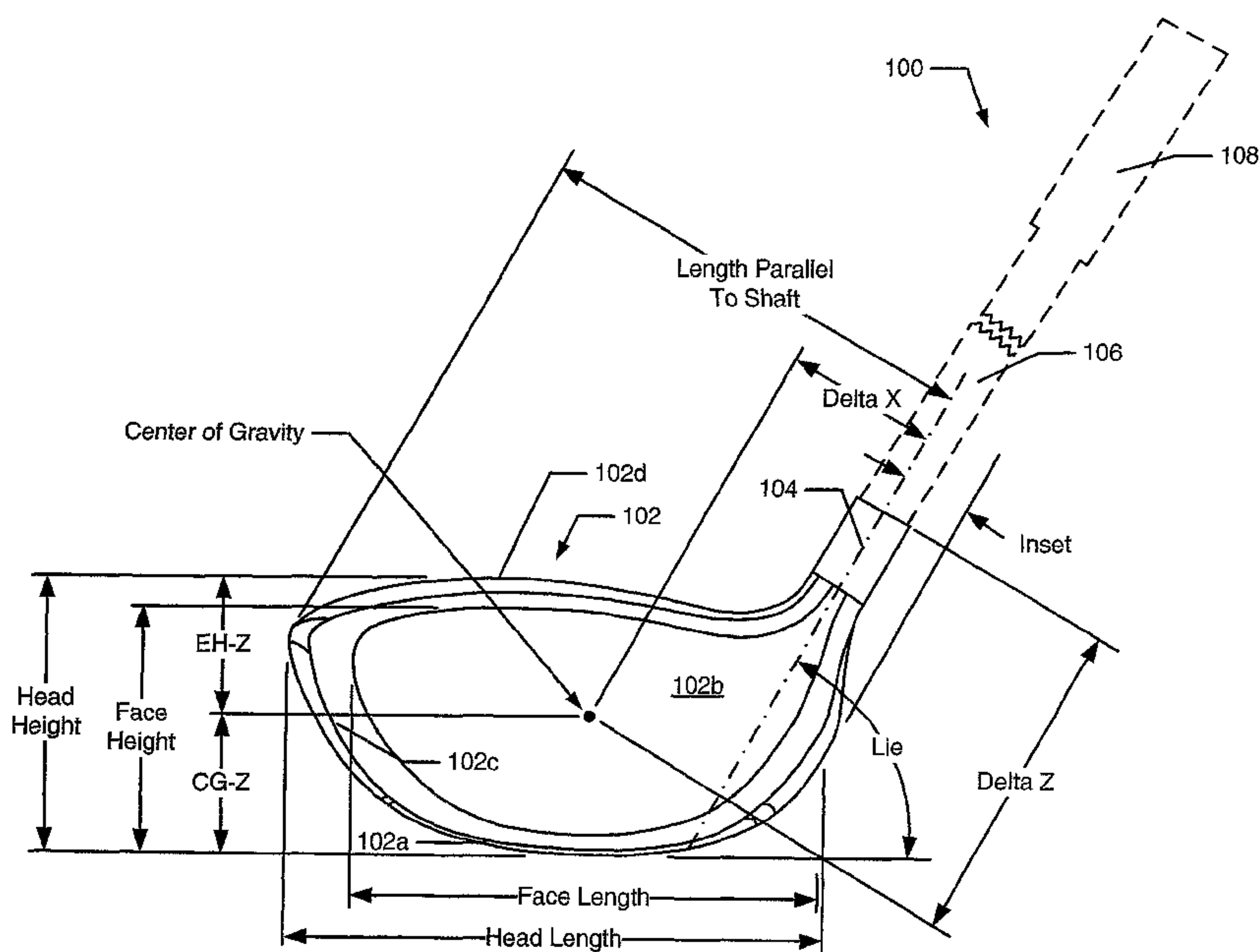
(75) Inventors/Applicants (for US only): STITES, John, T.
[US/US]; 224 Rentz Place Circle, Weatherford, TX 76086
(US). TAVARES, Gary, G. [US/US]; 2094 Church Road,
Azle, TX 76020 (US).(74) Agent: RAUCHHOLZ, William, F.; Banner & Witcoff,
Ltd., 1001 G. Street, NW, 11th Floor, Washington, D.C.
20001-4597, United States of America (US).(81) Designated States (unless otherwise indicated, for every
kind of national protection available): AE, AG, AL, AM,
AT, AU, AZ, BA, BB, BG, BR, BW, BY, BZ, CA, CH, CN,
CO, CR, CU, CZ, DE, DK, DM, DZ, EC, EE, EG, ES, FI,
GB, GD, GE, GH, GM, HR, HU, ID, IL, IN, IS, JP, KE,
KG, KM, KP, KR, KZ, LC, LK, LR, LS, LT, LU, LV, MA,
MD, MG, MK, MN, MW, MX, MZ, NA, NG, NI, NO, NZ,
OM, PG, PH, PL, PT, RO, RU, SC, SD, SE, SG, SK, SL,
SM, SY, TJ, TM, TN, TR, TT, TZ, UA, UG, US, UZ, VC,
VN, YU, ZA, ZM, ZW.(84) Designated States (unless otherwise indicated, for every
kind of regional protection available): ARIPO (BW, GH,
GM, KE, LS, MW, MZ, NA, SD, SL, SZ, TZ, UG, ZM,
ZW), Eurasian (AM, AZ, BY, KG, KZ, MD, RU, TJ, TM),
European (AT, BE, BG, CH, CY, CZ, DE, DK, EE, ES, FI,
FR, GB, GR, HU, IE, IS, IT, LT, LU, LV, MC, NL, PL, PT,
RO, SE, SI, SK, TR), OAPI (BF, BJ, CF, CG, CI, CM, GA,
GN, GQ, GW, ML, MR, NE, SN, TD, TG).

Published:

— with international search report

For two-letter codes and other abbreviations, refer to the "Guid-
ance Notes on Codes and Abbreviations" appearing at the begin-
ning of each regular issue of the PCT Gazette.

(54) Title: GOLF CLUBS AND GOLF CLUB HEADS



(57) Abstract: Golf clubs and/or golf club heads include a club head body defining an interior chamber, structure for engaging a shaft with the body, and/or a shaft engaged with the body. The club head body may have an overall length of at least 4.5 inches and an overall breadth of at least 4.2 inches. In other examples, the club head body may have an overall length of at least 4.6 inches and a ration of the overall breadth dimension to the overall length dimension of 1 or less. If desired, the ratio of the head breadth to head length dimensions may be in a range from at least 0.94 to 1 or less.

WO 2006/121460 A1

GOLF CLUBS AND GOLF CLUB HEADS

FIELD OF THE INVENTION

[01] This invention relates generally to golf clubs and golf club heads, including “wood-type” golf clubs and golf club heads, *e.g.*, for drivers, fairway woods, hybrid or utility clubs, or the like.

BACKGROUND

[02] Golf is enjoyed by a wide variety of players – players of different genders and players of dramatically different ages and/or skill levels. Golf is somewhat unique in the sporting world in that such diverse collections of players can play together in golf events, even in direct competition with one another (*e.g.*, using handicapped scoring, different tee boxes, in team formats, etc.), and still enjoy the golf outing or competition. These factors, together with the increased availability of golf programming on television (*e.g.*, golf tournaments, golf news, golf history, and/or other golf programming) and the rise of well known golf superstars, at least in part, have increased golf’s popularity in recent years, both in the United States and across the world. The number of individuals participating in the game and the number of golf courses have increased steadily in recent years.

[03] Golfers at all skill levels seek to improve their performance, lower their golf scores, and reach that next performance “level.” Manufacturers of all types of golf equipment have responded to these demands, and recently, the industry has witnessed dramatic changes and improvements in golf equipment. For example, a wide range of different golf ball models now are available, with balls designed to complement specific swing speeds and/or other player characteristics or preferences, *e.g.*, with some balls designed to fly farther and/or straighter, some designed to provide higher or flatter trajectories, some designed to provide more spin, control, and/or feel (particularly around the

greens), etc. A host of swing and/or teaching aids also are available on the market that promise to help lower one's golf scores.

[04] Being the sole instrument that sets a golf ball in motion during play, the golf club also has been the subject of much technological research and advancement in recent years. For example, the market has seen improvements in putter designs, golf club head designs, shafts, and grips in recent years. Additionally, other technological advancements have been made in an effort to better match the various elements and/or characteristics of the golf club and characteristics of a golf ball to a particular user's swing features or characteristics (e.g., club fitting technology, ball launch angle measurement technology, ball spin rates, etc.).

[05] Despite recent technological advances, "wood-type" golf clubs, particularly the driver, can be very difficult for some players to hit consistently well. Accordingly, additional technological advances that improve a player's ability to get a golf ball airborne, increase distance and/or control, and/or otherwise improve the playability of wood-type golf clubs, particularly the driver, would be welcome in the golf world.

SUMMARY

[06] The following presents a general summary of aspects of the invention in order to provide a basic understanding of the invention and various aspects of it. In general, some example aspects of this invention relate to golf clubs and/or golf club heads that include a club head body defining an interior chamber, wherein the club head body has an overall club head length dimension of at least 4.5 inches and an overall club head breadth dimension of at least 4.2 inches. The club head further may include a hosel element, a shaft insertion opening, and/or other structure and/or means for receiving and/or engaging a shaft with the club head body; and/or a shaft engaged with the club head. In at least some example structures in accordance with the invention, the club head body may have an overall club head length dimension of at least 4.6

69275-267

inches, a ratio of the overall club head breadth dimension to the overall club head length dimension of at least 0.94, and/or a ratio of the overall club head breadth dimension to the overall club head length dimension of 1 or less.

[07] Golf clubs and/or golf club heads in accordance with still other
5 example aspects of this invention may include a club head body defining an interior chamber, wherein the club head body has an overall club head length dimension of at least 4.6 inches and wherein the club head body has a ratio of an overall club head breadth dimension to the overall club head length dimension of 1 or less. The club head further may include a hosel member, a shaft insertion
10 opening, and/or other means for receiving and/or engaging a shaft with the club head body; and/or a shaft engaged with the club head body. In such golf clubs and/or golf club heads, the club head body may have an overall club head breadth dimension of at least 4.3 inches, at least 4.4 inches, at least 4.5 inches, or even at least 4.6 inches.

15 In an aspect, the invention relates to a golf club head, comprising: a club head body having an overall club head length dimension of at least 4.6 inches, an overall club head breadth dimension of at least 4.6 inches, and a ratio of the overall club head breadth dimension to the overall club head length dimension of at least 0.94 and less than 1.

20 In another aspect, the invention relates to a golf club, comprising: a club head including a club head body having an overall club head length dimension of at least 4.6 inches, an overall club head breadth dimension of at least 4.6 inches, and a ratio of the overall club head breadth dimension to the overall club head length dimension of at least 0.94 and less than 1; and a shaft
25 extending from the club head.

In still another aspect, the invention relates to a golf club head, comprising: a club head body having an overall club head length dimension of at least 4.6 inches and an overall club head breadth dimension of at least 4.6 inches, wherein a ratio of the overall club head breadth dimension to the overall club head
30 length dimension is at least 0.94 and is less than 1, and wherein the club head

69275-267

body has a volume of at least 380 cubic centimeters and less than 470 cubic centimeters.

In yet another aspect, the invention relates to a golf club head, comprising: a club head body having an overall club head length dimension of at least 4.6 inches and an overall club head breadth dimension of at least 4.6 inches, wherein a ratio of the overall club head breadth dimension to the overall club head length dimension is at least 0.94 and is less than 1, wherein the club head body has a volume of at least 380 cubic centimeters and less than 470 cubic centimeters, wherein the club head body has a mass in a range between 150 to 240 grams, and wherein a crown portion of the club head body includes a carbon fiber composite material.

In a further aspect, the invention relates to a wood-type golf club head, comprising: a club head body having an overall club head length dimension of at least 4.6 inches and an overall club head breadth dimension of at least 4.6 inches, wherein a ratio of the overall club head breadth dimension to the overall club head length dimension is at least 0.94 and is less than 1, and wherein the club head body has a volume of at least 380 cubic centimeters and less than 470 cubic centimeters, and wherein the golf club head has a moment of inertia about the z-axis, I_{zz} , in a range from 440 to 540 kg-mm².

In a still further aspect, the invention relates to a wood-type golf club head, comprising: a club head body having an overall club head length dimension of at least 4.6 inches and an overall club head breadth dimension of at least 4.6 inches, wherein a ratio of the overall club head breadth dimension to the overall club head length dimension is at least 0.94 and is less than 1, and wherein the club head body has a volume of at least 380 cubic centimeters and less than 470 cubic centimeters and a mass in a range between 150 to 240 grams, and wherein the golf club head has a moment of inertia about the z-axis, I_{zz} , in a range from 440 to 540 kg-mm² and a moment of inertia about the y-axis, I_{yy} , in a range from 280 to 360 kg-mm².

69275-267

In another aspect, the invention relates to a golf club head, comprising: a face member; and a club head body element engaged with the face member, wherein the club head body element includes a crown member, a sole member, and a ribbon member located between the crown member and the sole member, wherein the golf club head has an overall club head length dimension of at least 4.6 inches and an overall club head breadth dimension of at least 4.6 inches, wherein a ratio of the overall club head breadth dimension to the overall club head length dimension is at least 0.94 and is less than 1, and wherein the golf club head has a volume of at least 380 cubic centimeters and less than 470 cubic centimeters, a mass in a range between 150 to 240 grams, a moment of inertia about the z-axis, I_{zz} , in a range from 440 to 540 kg-mm², and a moment of inertia about the y-axis, I_{yy} , in a range from 280 to 360 kg-mm².

In still another aspect, the invention relates to a wood-type golf club head, comprising: a club head body having an overall club head length dimension of at least 4.6 inches and an overall club head breadth dimension of at least 4.6 inches, wherein a ratio of the overall club head breadth dimension to the overall club head length dimension is at least 0.94 and is less than 1, and wherein the club head body has a volume of at least 380 cubic centimeters and less than 470 cubic centimeters and a mass in a range between 150 to 240 grams, and wherein the golf club head has a moment of inertia about the z-axis, I_{zz} , in a range from 440 to 540 kg-mm² and a moment of inertia about the x-axis, I_{xx} , in a range from 260 to 340 kg-mm².

In yet another aspect, the invention relates to a wood-type golf club head, comprising: a face member; and a club head body engaged with the face member, wherein the club head body includes a hosel region for receiving a shaft extending outward at a top, front, heel area of the club head body, wherein the club head body is made from a multiple piece construction, and wherein at least a crown portion of the club head body is constructed from a titanium alloy, wherein the club head body has an overall club head length dimension of at least 4.7 inches and an overall club head breadth dimension of at least 4.6 inches,

69275-267

wherein a ratio of the overall club head breadth dimension to the overall club head length dimension is at least 0.97 and is less than 1, wherein the club head body has a volume of at least 410 cubic centimeters and less than 470 cubic centimeters, wherein the club head body has a mass in a range of
5 175 to 225 grams, and wherein the golf club head has a moment of inertia about the z-axis, I_{zz} , in a range from 440 to 540 kg-mm².

BRIEF DESCRIPTION OF THE DRAWINGS

[08] A more complete understanding of the present invention and certain advantages thereof may be acquired by referring to the following detailed
10 description in consideration with the accompanying drawings, in which:

[09] Figs. 1A through 1C illustrate example golf club heads and golf club structures in accordance with this invention; and

[10] Fig. 2 provides a graph illustrating golf club head length and breadth dimensions for example golf club heads according to the invention as compared
15 with various commercially available golf club head structures.

[11] The reader is advised that the attached drawings are not necessarily drawn to scale.

DETAILED DESCRIPTION

[12] In the following description of various example structures in accordance with the invention, reference is made to the accompanying drawings, which form a part hereof, and in which are shown by way of illustration various example golf club heads and golf club structures in accordance with the invention. Certain dimensions, characteristics, and ranges of dimensions and characteristics are provided in the following description and associated with the example golf club head structures shown in Figs. 1A through 1C. Those skilled in the art will understand, however, that the drawings, dimensions, characteristics, and ranges of dimensions and characteristics described below simply represent examples of golf club and golf club head structures and characteristics that may be used or exhibited in accordance with at least some examples of this invention. The actual dimensions and/or characteristics of a club head may vary substantially and still fall within the scope of the present invention. Additionally, it is to be understood that other specific arrangements of parts and structures may be utilized, and structural and functional modifications may be made without departing from the scope of the present invention. Also, while the terms “top,” “bottom,” “front,” “back,” “rear,” “side,” “underside,” “overhead,” and the like may be used in this specification to describe various example features and elements of the invention, these terms are used herein as a matter of convenience, *e.g.*, based on the example orientations shown in the figures and/or the orientations in typical use. Nothing in this specification should be construed as requiring a specific three dimensional or spatial orientation of structures in order to fall within the scope of this invention.

A. General Description of Golf Clubs and Golf Club Heads According to Examples of the Invention

[13] In general, as described above, aspects of this invention relate to golf club heads, golf clubs, and the like. One aspect of golf clubs and golf club heads in accordance with at least some examples of this invention relates to the club head design. In at least some example structures according to the invention, the golf club heads may be designed so as to move the club head's center of gravity rearward and/or low in the overall club head structure (*e.g.*, optionally,

as far away from the club head face member and/or as close to the club head sole member as reasonably possible), in order to create a golf club structure that is easier to use (e.g., easier to get balls airborne, helps make balls fly farther, straighter, etc.). Conventional club head designs have used weighted members positioned toward the rear of the club head structure in order to move the club head's center of gravity toward the rear. In contrast, aspects of the present invention use the design and/or geometry of the club head, e.g., by "stretching" or enlarging the club head's breadth dimension, to move the club head's center of gravity toward the rear of the club head. By "stretching" or enlarging the club head's breadth dimension in this manner, the center of gravity naturally moves rearward in the club head structure, e.g., rearward relative to a position of the club's hosel or other shaft engagement location. This low and rear located center of gravity promotes better playability as it makes it easier for players to get the ball up into the air during a stroke, it makes it easier to square the club head face at the location of the ball during a stroke, etc.

- [14] In at least some examples, club head structures according to the invention will not include separate and/or independent weighted members included within and/or attached to the club head. In still other example club head structures according to the invention, the club head structure will not include specially designed weighted regions to move the center of gravity toward the club head's rear portion.
- [15] Golf club heads in accordance with at least some examples of this invention may have a club head body defining an interior chamber, wherein the club head body has an overall club head length dimension of at least 4.5 inches and an overall club head breadth dimension of at least 4.2 inches. The club head further may include structure and/or means for receiving and/or engaging a shaft with the club head body, such as a hosel region or element, an opening in the club head top surface (e.g., in a crown member) for receiving the shaft end, a mechanical connector system, a cylindrical shaft-receiving sleeve (e.g., extending into the interior chamber of the club head), or the like. In at least some examples of the invention, the club head body may

have an overall club head length dimension of at least 4.6 inches, a ratio of the overall club head breadth dimension to the overall club head length dimension of at least 0.94 (*e.g.*, even at least 0.95, at least 0.96, at least 0.97, at least 0.98, or higher), and/or a ratio of the overall club head breadth dimension to the overall club head length dimension of 1 or less. Moreover, in at least some examples of this invention, the club head body may be dimensioned such that the overall club head length dimension is 4.7 inches or greater, such that its overall breadth dimension is 4.6 inches or greater, and/or such that its overall size is 470 cm³ or less, or even 460 cm³ or less.

- [16]** Golf club heads in accordance with still other examples of this invention may use the club head design and/or geometry to produce other desired club head characteristics. For example, in some club head structures in accordance with this invention, the club head will have an increased head and/or face length dimension relative to the club's depth or breadth dimension, which results in a club head that is more torsionally stable (*i.e.*, more resistant to twisting) during a swing, thereby producing a more consistent, reliable, and/or straight golf ball flight. Golf club heads and golf clubs in accordance with at least some of these example aspects of the invention may include a club head body defining an interior chamber, wherein the club head body has an overall club head length dimension of at least 4.6 inches and wherein a ratio of an overall club head breadth dimension to the overall club head length dimension is 1 or less (*e.g.*, even 0.99 or less, 0.98 or less, 0.97 or less, etc., and optionally 0.94 or greater or even 0.95 or greater). The club head further may include structure and/or means for receiving and/or engaging a shaft with the club head body, such as a hosel region or element, an opening in the club head top surface (*e.g.*, in a crown member) for receiving the shaft end, a mechanical connector system, a cylindrical shaft-receiving sleeve (*e.g.*, extending into the interior chamber of the club head), or the like. Such golf club heads may have an overall club head breadth dimension of at least 4.3 inches, at least 4.4 inches, at least 4.5 inches, or even at least 4.6 inches. As with the examples described above, the club head body according to at least some examples of this aspect of the invention may be dimensioned such that the overall club head length dimension is 4.7 inches or greater and/or such

that the overall club head body size is 470 cm^3 or less, or even 460 cm^3 or less.

- [17] In accordance with still additional aspects of this invention, golf club heads of the types described above may be included in golf club structures. Such golf club structures may include, for example: (a) a club head including a club head body, wherein the club head body has an overall club head length dimension of at least 4.5 inches and an overall club head breadth dimension of at least 4.2 inches; and (b) a shaft extending from the club head (*e.g.*, the shaft may be made from steel, graphite, or other desired material, including conventional materials known and used in the art). Golf club structures in accordance with other examples of this invention may include: (a) a club head including a club head body, wherein the club head body has an overall club head length dimension of at least 4.6 inches and wherein a ratio of an overall club head breadth dimension to the overall club head length dimension is 1 or less; and (b) a shaft extending from the club head (*e.g.*, as described above, the shaft may be made from steel, graphite, or other desired material). The golf club heads of these example golf club structures, in accordance with at least some examples of these aspects of the invention, may take on one or more of the various additional, more specific characteristics described above, such as the overall length and/or breadth dimension characteristics, the ratios of the overall breadth to length dimensions, the overall club head body size or volume, and/or the like. Golf clubs in accordance with examples of this invention further may include grip elements attached to the shaft, handle members attached to the shaft and/or club head, and/or other features, including conventional features known and included in conventional golf club structures.
- [18] Another dimensional feature of a golf club and/or golf club head structure in accordance with at least some examples of this invention relates to the club's "inset" dimension, as shown in Fig. 1A (*e.g.*, the distance, measured parallel with the shaft 106, that the club head body edge lays from the shaft center line). This inset dimension, in accordance with at least some examples of this invention, may be at least 0.4 inches, and even at least 0.5 inches or at least

0.6 inches, in some examples. As for ranges, the inset dimension may be in the range of 0.4 to 1.25 inches in some examples, within the range of 0.4 to 1 inches in some examples, and within the range of 0.5 to 0.75 inches, in other more specific examples.

- [19] Specific examples of the invention are described in more detail below. The reader should understand that these specific examples are set forth merely to illustrate examples of the invention, and they should not be construed as limiting the invention.

B. Specific Examples of the Invention

- [20] Figs. 1A through 1C illustrate example golf club and golf club head structures in accordance with the invention. When the same reference number appears in more than one drawing, that reference number is used consistently in this specification and the drawings to refer to the same or similar parts throughout.
- [21] Example golf clubs and golf club head structures in accordance with this invention may constitute "wood-type" golf clubs and golf club heads, *e.g.*, club heads typically used for drivers and fairway woods, as well as utility or hybrid type clubs, or the like. Such club head structures may include a multiple piece construction and structure, *e.g.*, including a sole member, a face member, one or more body members (*e.g.*, ribbons of material making up the club head body), and/or a crown member. Of course, if desired, various portions of the club head structure may be integrally formed with one another, as a unitary, one piece construction, without departing from the invention (*e.g.*, the body member(s) may be integrally formed with the sole and/or crown members, the face member may be integrally formed with the sole, body, and/or crown members, etc.). Optionally, if desired, the various portions of the club head structure (such as the sole member, the crown member, the face member, the body member(s), etc.) individually may be formed from multiple pieces of material without departing from this invention. More specific examples and features of golf club heads and golf club structures according to this invention will be described in detail below in conjunction with the example golf club structures illustrated in Figs. 1A through 1C.

- [22] Figs. 1A through 1C illustrate an example of a golf club 100, including details of a golf club head structure, in accordance with an example of this invention. Notably, the overall golf club structure 100 of this example includes a golf club head 102, a hosel region 104, a shaft member 106 received in and/or inserted into and/or through the hosel region 104, and a grip or handle member 108 attached to the shaft member 106. Optionally, if desired, the hosel region 104 may be eliminated and the shaft member 106 may be directly inserted into and/or otherwise attached to the head member 102 (*e.g.*, through an opening provided in the top of the club head 102).
- [23] The shaft member 106 may be received in, engaged with, and/or attached to the club head 102 in any suitable or desired manner, including in conventional manners known and used in the art, without departing from the invention. As more specific examples, the shaft member 106 may be engaged with the club head 102 via a hosel member 104 or directly to the club head structure 102, *e.g.*, via adhesives, cements, welding, soldering, mechanical connectors (such as threads, retaining elements, or the like), through a shaft-receiving sleeve or element extending into the club head body 102, etc. The shaft member 106 also may be made from any suitable or desired materials, including conventional materials known and used in the art, such as graphite based materials, composite materials, steel materials (including stainless steel), aluminum materials, other metal alloy materials, polymeric materials, combinations of various materials, and the like. Also, the grip or handle member 108 may be attached to, engaged with, and/or extend from the shaft member 106 in any suitable or desired manner, including in conventional manners known and used in the art, *e.g.*, using adhesives or cements; via welding, soldering, adhesives, or the like; via mechanical connectors (such as threads, retaining elements, etc.); and/or in any other desired manner. As another example, if desired, the grip or handle member 108 may be integrally formed as a unitary, one-piece construction with the shaft member 106. Additionally, any desired grip or handle member materials may be used without departing from this invention, including rubber materials, leather materials, rubber or other materials including cord or other fabric material embedded therein, polymeric materials, and the like.

[24] The club head 102 itself also may be constructed in any suitable or desired manner and/or from any suitable or desired materials without departing from this invention, including from conventional materials known and used in the art. For example, in the example structure shown in Figs. 1A through 1C, the club head 102 includes a sole member 102a, a face member 102b, at least one body member 102c, and a crown member 102d. The body member(s) 102c may be formed, for example, as bands or ribbons of material (*e.g.*, optionally U-shaped bands or ribbons) that extend around from one side of the face member 102b to the other side and form at least a portion of the perimeter of the middle of the golf club head body 102 (*e.g.*, such that the overall club head structure 102 defines an at least partially hollow interior chamber (*e.g.*, into which the shaft member 106 may be inserted and/or secured)). Any of the individual portions of the club head structure 102 described above may be made from multiple independent pieces, and/or two or more of these individual portions may be integrally formed together, *e.g.*, as unitary, one-piece constructions, without departing from this invention (*e.g.*, the sole and/or crown members additionally may form at least some portions of the club head body and/or face members, etc). As other options, if desired, the overall club head structure 102 may be comprised of a single, one-piece construction or the face member 102b may attach to a one piece club head body, etc.

[25] The various individual parts that make up a club head structure 102, if made from multiple pieces, may be engaged and/or held together in any suitable or desired manner, including in conventional manners known and used in the art. For example, the various parts of the club head structure 102 may be joined and/or fixed together (directly or indirectly through intermediate members) by adhesives, cements, welding, soldering, or other bonding techniques; by mechanical connectors (such as threads, screws, nuts, bolts, or other connectors); and the like. If desired, the side edges of various parts of the club head structure 102 (*e.g.*, the edges where sole member 102a, face member 102b, body members 102c, and/or crown member 102d contact and join to one another) may include one or more raised ribs, tabs, or other engagement elements that fit into or onto corresponding grooves, slots,

surfaces, or openings provided in or on the facing side edge to which it is joined. Cements, adhesives, mechanical connectors, or the like may be used in combination with the raised rib/groove or other connecting structures described above to further help secure the various parts of the club head structure 102 to one another.

- [26] In at least some examples of the invention, if desired, the materials making up the various portions of the club head structure 102 may have an increasing density and/or weight as one moves downward from the crown member 102d to the sole member 102a, e.g., in order to further help move the center of gravity lower in the overall club head structure 102. As examples, if desired, the sole member 102a may include or be constructed from at least one member selected from the group of steel materials (including stainless steel materials), titanium alloys, polymeric materials, etc. The various ribbons or body members 102c may include or be constructed from at least one member selected from the group of magnesium alloys, titanium alloys, aluminum alloys, polymeric materials, carbon fiber composite materials, glass fiber composite materials, other composite materials, etc. The crown member 102d, in at least some examples of the invention, may include or be constructed from at least one member selected from the group of carbon fiber composite materials, glass fiber composite materials, other composite materials, titanium alloy materials, carbon pre-pregs, polymeric materials, etc. The face member 102b, in at least some examples of this invention, may include or be constructed from, at least in part, at least one member selected from the group of titanium alloys, steel materials (including stainless steel materials), aluminum alloys, polymeric materials, etc. In some examples, the face member 102b may be made, at least in part, from the same material(s) making up the sole member 102a. Examples of polymeric materials that may be included in various parts of a club head structure include: thermoplastics (e.g., those suitable for use in injection or blow molding processes, such as thermoplastic polyurethanes, etc.), nylons, polyesters, and the like. If necessary or desired, the polymeric materials further may include metals or metal alloy components, e.g., to affect strength and/or to control weight or density. Of course, materials other than those specifically identified above,

including conventional materials known and used in the art, may be used for the various parts of the golf club head structure 102 without departing from this invention.

[27] While, as noted above, the dimensions and/or other characteristics of a golf club head structure according to examples of the invention may vary significantly without departing from the invention, various example dimensions and characteristics of an example club head structure 102 are identified in Figs. 1A through 1C. Example ranges for the dimensions and/or characteristics for a club head structure 102 in accordance with examples of this invention are set forth in Table 1 below:

TABLE 1

Dimension or Characteristic	Range (Units)
Head Weight	150 to 240 grams
Loft Angle	7° to 25°
Face Angle	2° Open to 2° Closed
Lie Angle	52° to 68°
Center of Gravity Angle	24° to 40°
Inset	0.4 to 1 inches
Head Length	At least 4.5 inches
Face Length	At least 3.75 inches
Head Height	At least 2 inches
Head Breadth	At least 4.2 inches
Face Height	At least 1.8 inches
Head Length Parallel to Shaft	At least 3.5 inches
Face Thickness	2.4 to 3.5 mm
Crown Thickness	0.5 to 1.2 mm
Sole Thickness	0.5 to 1.2 mm

Skirt/Body Member Thickness	0.5 to 1.2 mm
Dimension A (Fig. 1B)	At least 3.5 inches
Dimension B (Fig. 1B)	At least 0.4 inches
Hosel Diameter	0.35 to 0.75 inches
Volume	At least 380 cc
Delta X	1.1 to 1.6 inches
Delta Y	0.6 to 1.2 inches
Delta Z	2.5 to 4 inches
CG-Z	1 to 1.6 inches
EH-Z	1 to 1.6 inches
I(xx)	260 to 340 kg-mm ²
I(yy)	280 to 360 kg-mm ²
I(zz)	440 to 540 kg-mm ²
I(hosel)	700 to 800 kg-mm ²
I(1)	240 to 320 kg-mm ²
I(2)	300 to 400 kg-mm ²
I(3)	420 to 540 kg-mm ²
I(hosel at center of Gravity)	380 to 480 kg-mm ²
Body Density	3.5 to 5.5 g/cm ³
Bulge	250 to 350 mm
Roll	250 to 350 mm

[28] Table 1 above describes some general ranges of dimensions that may be used and characteristics that may be exhibited by some specific examples of golf club heads and golf club structures in accordance with this invention. A golf club head need not have dimensions and characteristics that fall within all of the ranges identified in Table 1 to fall within the scope of this invention.

[29] Table 2 below provides additional, more particular ranges of dimensions and characteristics, at least some of which may be exhibited by at least some example golf club heads and golf club structures in accordance with this invention:

TABLE 2

Dimension or Characteristic	Range (Units)
Head Weight	175 to 225 grams
Loft Angle	7.5° to 13.5°
Face Angle	1° Open to 1° Closed
Lie Angle	55° to 65°
Center of Gravity Angle	28° to 36°
Inset	0.5 to 1 inches
Head Length	At least 4.6 inches
Face Length	At least 3.8 inches
Head Height	At least 2.2 inches
Head Breadth	At least 4.3 inches
Face Height	At least 2 inches
Head Length Parallel to Shaft	At least 3.75 inches
Face Thickness	2.75 to 3 mm
Crown Thickness	0.75 to 1 mm
Sole Thickness	0.75 to 1 mm
Skirt/Body Member Thickness	0.75 to 1 mm
Dimension A (Fig. 1B)	At least 3.75 inches
Dimension B (Fig. 1B)	At least 0.5 inches
Hosel Diameter	0.45 to 0.75 inches
Volume	At least 410 cc

Delta X	1.1 to 1.5 inches
Delta Y	0.75 to 1.2 inches
Delta Z	2.75 to 3.5 inches
CG-Z	1.1 to 1.5 inches
EH-Z	1.1 to 1.5 inches
I(xx)	280 to 320 kg-mm ²
I(yy)	300 to 340 kg-mm ²
I(zz)	460 to 520 kg-mm ²
I(hosel)	720 to 780 kg-mm ²
I(1)	250 to 310 kg-mm ²
I(2)	320 to 380 kg-mm ²
I(3)	440 to 520 kg-mm ²
I(hosel at center of Gravity)	400 to 460 kg-mm ²
Body Density	3.75 to 5.25 g/cm ³
Bulge	260 to 340 mm
Roll	260 to 340 mm

[30] The various ranges provided in Table 2 are simply examples. A golf club head structure need not have dimensions or characteristics that satisfy all of these identified ranges to fall within the scope of this invention.

[31] Table 3 provides even more targeted dimensions and characteristics of an example golf club head and/or golf club structure in accordance with a specific example of this invention. Of course, a golf club head need not have these specific dimensions and/or characteristics to fall within the scope of this invention.

TABLE 3

Dimension or Characteristic	Range (Units)
Head Weight	197.4 grams
Loft Angle	10.5°
Face Angle	0.5° Open
Lie Angle	60.5°
Center of Gravity Angle	Approx. 30°
Inset	0.6 inches
Head Length	4.71 inches
Face Length	4.13 inches
Head Height	2.34 inches
Head Breadth	4.66 inches
Face Height	2.12 inches
Head Length Parallel to Shaft	3.99 inches
Face Thickness	2.8 mm
Crown Thickness	0.85 mm
Sole Thickness	0.85 mm
Skirt/Body Member Thickness	0.85 mm
Dimension A (Fig. 1B)	3.95 inches
Dimension B (Fig. 1B)	0.7 inches
Hosel Diameter	0.52 inches
Volume	458.2 cc
Delta X	Approx. 1.3 inches
Delta Y	Approx. 0.8 inches
Delta Z	3.32 inches
CG-Z	Approx. 1.2 inches

EH-Z	Approx. 1.2 inches
I(xx)	286.7 kg-mm ²
I(yy)	317.8 kg-mm ²
I(zz)	464 kg-mm ²
I(hosel)	754 kg-mm ²
I(1)	269.1 kg-mm ²
I(2)	333.9 kg-mm ²
I(3)	465.6 kg-mm ²
I(hosel at center of Gravity)	433 kg-mm ²
Body Density	4.5 g/cm ³
Bulge	305 mm
Roll	305 mm

[32] While specific dimensions, characteristics, and/or ranges of dimensions and characteristics are set forth in the various tables above, those skilled in the art will recognize that these dimensions and ranges are examples that may be used in at least some examples of the invention. Many variations in the ranges and the specific dimensions and characteristics may be used without departing from this invention, *e.g.*, depending on the type of club, user preferences, user swing characteristics, and the like. For example, the information contained in Table 3 relates to a golf club head generally characterized as a driver. Other dimensions may be used without departing from the invention, such as other loft angles, head weights, lie angles, etc., *e.g.*, if the club is designed as a 3-wood, 5-wood, etc.; to suit a user's preferences and/or swing characteristics; to provide the desired launch angle, carry distance, and/or other characteristics for the club; etc. Additionally, various different shaft characteristics (such as stiffness, flex point, kick point, etc.) may be used to further allow change and control over the club's and the club head's feel and characteristics.

- [33] As noted above, golf club heads in accordance with still other examples of this invention also may use the club head design and/or geometry to produce other desired club head characteristics. For example, in some club head structures in accordance with this invention, the club head will have an increased head and/or face length (*e.g.*, heel to toe) relative to the club head's depth or breadth (*e.g.*, front to back), which results in a club head that is more torsionally stable (*i.e.*, more resistant to twisting), thereby producing a more consistent, reliable, and/or straight golf ball flight. Golf club heads and golf clubs in accordance with at least some of these example aspects of the invention may include a club head body having an overall club head length dimension of at least 4.6 inches and a ratio of an overall club head breadth dimension to the overall club head length dimension of 1 or less. In such golf club heads, the overall club head breadth dimension may be at least 4.3 inches, at least 4.4 inches, at least 4.5 inches, or even at least 4.6 inches. As with the examples described above, the club head body according to at least some examples of this aspect of the invention may be dimensioned such that the overall club head length dimension is 4.7 inches or greater and/or such that the overall club head body size is 470 cm³ or less, or even 460 cm³ or less.
- [34] Fig. 2 provides a chart graphically comparing the overall head length dimension and the overall head breadth dimension of an example golf club head in accordance with at least some examples of the invention with other commercially available golf club head structures. As shown in Fig. 2, the golf club head structure according to the illustrated example of the invention (*e.g.*, the structure shown in Figs. 1A through 1C) has a greater head length dimension and a greater head breadth dimension than the various commercially available club head structures shown in the figure. The upper diagonal line in the graph represents a line at which a ratio of the club head breadth dimension to the club head length dimension is equal to 1 (the current Rules of Golf require golf club heads to have a heel to toe length of 5 inches or less, and the club head length must be greater than the club head breadth (*i.e.*, the face to back dimension)). The lower diagonal line represents a line at which the ratio of the club head breadth dimension to the club head length

dimension is equal to 0.94. Club heads in accordance with at least some examples of this invention may have a ratio of club head breadth to club head length of at least 0.94, at least 0.95, at least 0.96, at least 0.97, or even at least 0.98.

- [35] Of course, many modifications to the overall club head structures and/or the overall golf club structures may be made without departing from this invention. For example, many modifications may be made to the part or parts making up the club head structure, to the materials used in making the club head structure, to the manner in which the club head structure is joined together, etc. Also, many modifications may be made to the thickness, weight, shape, and/or other physical characteristics of the part or parts making up the overall golf club structure, to the manner in which these parts are fixed together, to the materials used in these parts, etc.
- [36] Also, as noted above, aspects of the present invention may be used for any type of golf club structures and/or golf club head structures, including, for example: "wood-type" golf clubs and golf club heads, such as drivers or fairway woods, utility or hybrid type clubs, and/or the like.

CONCLUSION

- [37] While the invention has been described in detail in terms of specific examples including presently preferred modes of carrying out the invention, those skilled in the art will appreciate that there are numerous variations and permutations of the above described systems and methods. Thus, the spirit and scope of the invention should be construed broadly as set forth in the appended claims.

69275-267

CLAIMS:

1. A golf club head, comprising:
a club head body having an overall club head length dimension of at least 4.6 inches, an overall club head breadth dimension of at least 4.6 inches,
5 and a ratio of the overall club head breadth dimension to the overall club head length dimension of at least 0.94 and less than 1.
2. A golf club head according to claim 1, wherein the club head body includes a sole member, a crown member, and a face member connected with the sole member and the crown member.
- 10 3. A golf club head according to claim 1, wherein the club head body includes a hosel member for receiving a shaft.
4. A golf club head according to claim 1, wherein the club head body has an inset dimension of at least 0.5 inches.
5. A golf club head according to claim 1, wherein the club head body
15 has an inset dimension of at least 0.6 inches.
6. A golf club head according to claim 1, wherein the club head body is 470 cm³ or less.
7. A golf club head according to claim 1, wherein the club head body is 460 cm³ or less.
- 20 8. A golf club, comprising:
a club head including a club head body having an overall club head length dimension of at least 4.6 inches, an overall club head breadth dimension of at least 4.6 inches, and a ratio of the overall club head breadth dimension to the overall club head length dimension of at least 0.94 and less than 1; and
25 a shaft extending from the club head.

69275-267

9. A golf club according to claim 8, wherein the club head body has an inset dimension of at least 0.5 inches.
10. A golf club according to claim 8, wherein the club head body has an inset dimension of at least 0.6 inches.
- 5 11. A golf club according to claim 8, wherein the club head body is 470 cm³ or less.
12. A golf club according to claim 8, wherein the club head body is 460 cm³ or less.
- 10 13. A golf club according to claim 8, wherein the shaft includes a graphite based material.
14. A golf club according to claim 8, wherein the shaft includes a steel material.
15. A golf club according to claim 8, further comprising:
a grip element attached to the shaft.
- 15 16. A golf club head, comprising:
a club head body having an overall club head length dimension of at least 4.6 inches and an overall club head breadth dimension of at least 4.6 inches, wherein a ratio of the overall club head breadth dimension to the overall club head length dimension is at least 0.94 and is less than 1, and wherein the club head
20 body has a volume of at least 380 cubic centimeters and less than 470 cubic centimeters.
17. A golf club head according to claim 16, wherein the golf club head has a moment of inertia about the z-axis, I_{zz} , in a range from 440 to 540 kg-mm².
18. A golf club head according to claim 16, wherein the club head body
25 includes a face member and a club head body element engaged with the face member.

69275-267

19. A golf club head according to claim 16, wherein the volume is less than 460 cubic centimeters.
20. A golf club head according to claim 16, wherein the volume is at least 410 cubic centimeters.
- 5 21. A golf club head according to claim 16, wherein the club head body includes a crown portion and a sole portion, wherein at least the crown portion includes a carbon fiber composite material.
22. A golf club head according to claim 16, wherein the club head body includes a crown portion, a body portion, and a sole portion.
- 10 23. A golf club head according to claim 22, wherein at least the crown portion includes a carbon fiber composite material.
24. A golf club head according to claim 16, wherein the club head body includes a crown portion having a thickness in a range from 0.5 to 1.2 mm.
25. A golf club head according to claim 24, wherein the crown portion
15 includes a carbon fiber composite material.
26. A golf club head according to claim 16, wherein the club head body has a mass in a range between 150 to 240 grams.
27. A golf club head according to claim 16, wherein the club head body has a mass in a range between 175 to 225 grams.
- 20 28. A golf club head, comprising:

a club head body having an overall club head length dimension of at least 4.6 inches and an overall club head breadth dimension of at least 4.6 inches, wherein a ratio of the overall club head breadth dimension to the overall club head length dimension is at least 0.94 and is less than 1, wherein the club head body
25 has a volume of at least 380 cubic centimeters and less than 470 cubic

69275-267

centimeters, wherein the club head body has a mass in a range between 150 to 240 grams, and wherein a crown portion of the club head body includes a carbon fiber composite material.

29. A golf club head according to claim 28, wherein the crown portion
5 has a thickness in a range from 0.5 to 1.2 mm.
30. A golf club head according to claim 28, wherein the golf club head has a moment of inertia about the z-axis, I_{zz} , in a range from 440 to 540 kg-mm².
31. A golf club head according to claim 28, wherein the club head body includes a face member and a club head body element engaged with the face
10 member.
32. A golf club head according to claim 28, wherein the volume is less than 460 cubic centimeters.
33. A golf club head according to claim 28, wherein the volume is at least 410 cubic centimeters.
- 15 34. A wood-type golf club head, comprising:

a club head body having an overall club head length dimension of at least 4.6 inches and an overall club head breadth dimension of at least 4.6 inches, wherein a ratio of the overall club head breadth dimension to the overall club head length dimension is at least 0.94 and is less than 1, and wherein the club head
20 body has a volume of at least 380 cubic centimeters and less than 470 cubic centimeters, and

wherein the golf club head has a moment of inertia about the z-axis, I_{zz} , in a range from 440 to 540 kg-mm².
35. A wood-type golf club head according to claim 34, wherein the club
25 head body includes a face member and a club head body element engaged with the face member.

69275-267

36. A wood-type golf club head according to claim 34, wherein the club head body has a mass in a range between 150 to 240 grams.

37. A wood-type golf club head according to claim 34, wherein the volume is less than 460 cubic centimeters.

5 38. A wood-type golf club head according to claim 34, wherein the volume is at least 410 cubic centimeters.

39. A wood-type golf club head, comprising:

10 a club head body having an overall club head length dimension of at least 4.6 inches and an overall club head breadth dimension of at least 4.6 inches, wherein a ratio of the overall club head breadth dimension to the overall club head length dimension is at least 0.94 and is less than 1, and wherein the club head body has a volume of at least 380 cubic centimeters and less than 470 cubic centimeters and a mass in a range between 150 to 240 grams, and

15 wherein the golf club head has a moment of inertia about the z-axis, I_{zz} , in a range from 440 to 540 kg-mm² and a moment of inertia about the y-axis, I_{yy} , in a range from 280 to 360 kg-mm².

40. A wood-type golf club head according to claim 39, wherein the golf club head has a moment of inertia about the x-axis, I_{xx} , in a range from 260 to 340 kg-mm².

20 41. A golf club head, comprising:

a face member; and

a club head body element engaged with the face member, wherein the club head body element includes a crown member, a sole member, and a ribbon member located between the crown member and the sole member,

25 wherein the golf club head has an overall club head length dimension of at least 4.6 inches and an overall club head breadth dimension of at

69275-267

least 4.6 inches, wherein a ratio of the overall club head breadth dimension to the overall club head length dimension is at least 0.94 and is less than 1, and wherein the golf club head has a volume of at least 380 cubic centimeters and less than 470 cubic centimeters, a mass in a range between 150 to 240 grams, a moment of inertia about the z-axis, I_{zz} , in a range from 440 to 540 kg-mm², and a moment of inertia about the y-axis, I_{yy} , in a range from 280 to 360 kg-mm².

42. A golf club head according to claim 41, wherein the golf club head has a moment of inertia about the x-axis, I_{xx} , in a range from 260 to 340 kg-mm².

43. A wood-type golf club head, comprising:

10 a club head body having an overall club head length dimension of at least 4.6 inches and an overall club head breadth dimension of at least 4.6 inches, wherein a ratio of the overall club head breadth dimension to the overall club head length dimension is at least 0.94 and is less than 1, and wherein the club head body has a volume of at least 380 cubic centimeters and less than 470 cubic
15 centimeters and a mass in a range between 150 to 240 grams, and

wherein the golf club head has a moment of inertia about the z-axis, I_{zz} , in a range from 440 to 540 kg-mm² and a moment of inertia about the x-axis, I_{xx} , in a range from 260 to 340 kg-mm².

44. A golf club head according to claim 1, wherein the overall club head
20 length dimension is at least 4.7 inches and the ratio is at least 0.97.

45. A golf club according to claim 8, wherein the overall club head length dimension is at least 4.7 inches and the ratio is at least 0.97.

46. A golf club head according to claim 16, wherein the overall club head length dimension is at least 4.7 inches and the ratio is at least 0.97.

25 47. A golf club head according to claim 28, wherein the overall club head length dimension is at least 4.7 inches and the ratio is at least 0.97.

69275-267

48. A wood-type golf club head according to claim 34, wherein the overall club head length dimension is at least 4.7 inches and the ratio is at least 0.97.

49. A wood-type golf club head according to claim 39, wherein the overall club head length dimension is at least 4.7 inches and the ratio is at least 0.97.

50. A golf club head according to claim 41, wherein the overall club head length dimension is at least 4.7 inches and the ratio is at least 0.97.

51. A wood-type golf club head according to claim 43, wherein the overall club head length dimension is at least 4.7 inches and the ratio is at least 0.97.

52. A wood-type golf club head, comprising:

a face member; and

a club head body engaged with the face member, wherein the club head body includes a hosel region for receiving a shaft extending outward at a top, front, heel area of the club head body, wherein the club head body is made from a multiple piece construction, and wherein at least a crown portion of the club head body is constructed from a titanium alloy,

wherein the club head body has an overall club head length dimension of at least 4.7 inches and an overall club head breadth dimension of at least 4.6 inches, wherein a ratio of the overall club head breadth dimension to the overall club head length dimension is at least 0.97 and is less than 1,

wherein the club head body has a volume of at least 410 cubic centimeters and less than 470 cubic centimeters,

wherein the club head body has a mass in a range of 175 to 225 grams, and

69275-267

wherein the golf club head has a moment of inertia about the z-axis, I_{zz} , in a range from 440 to 540 kg-mm².

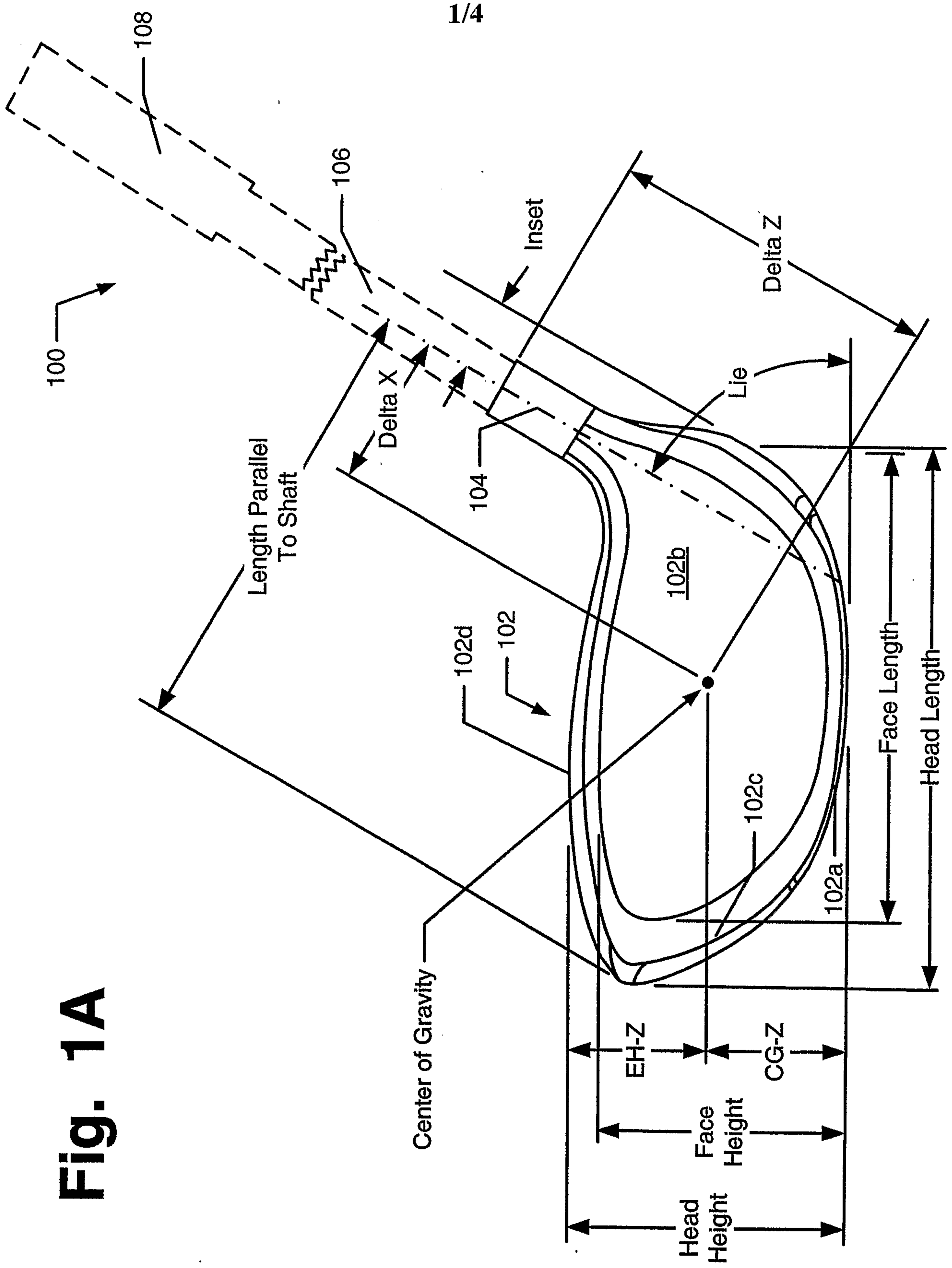


Fig. 1A

1/4

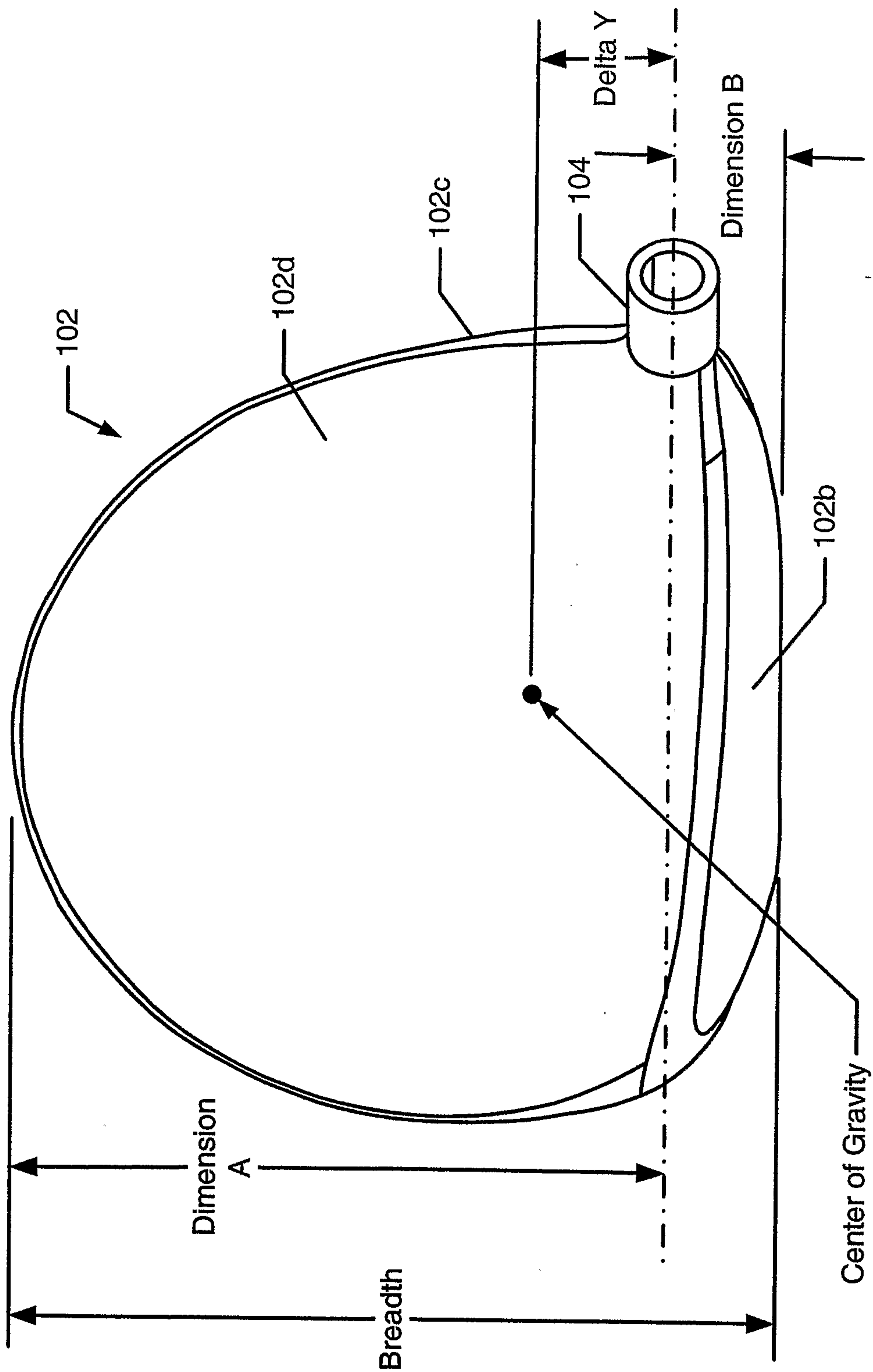


Fig. 1B

3/4

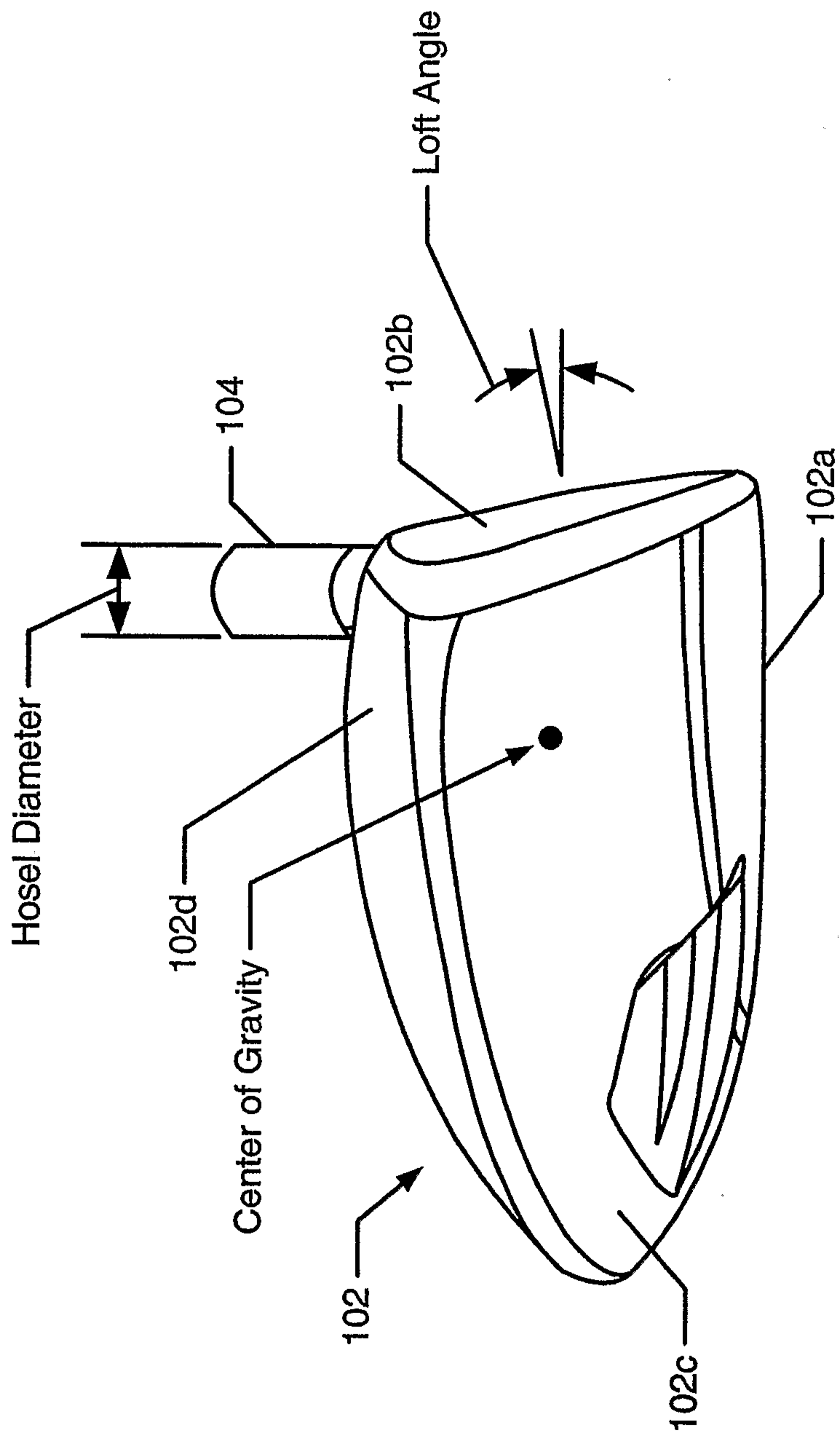


Fig. 1C

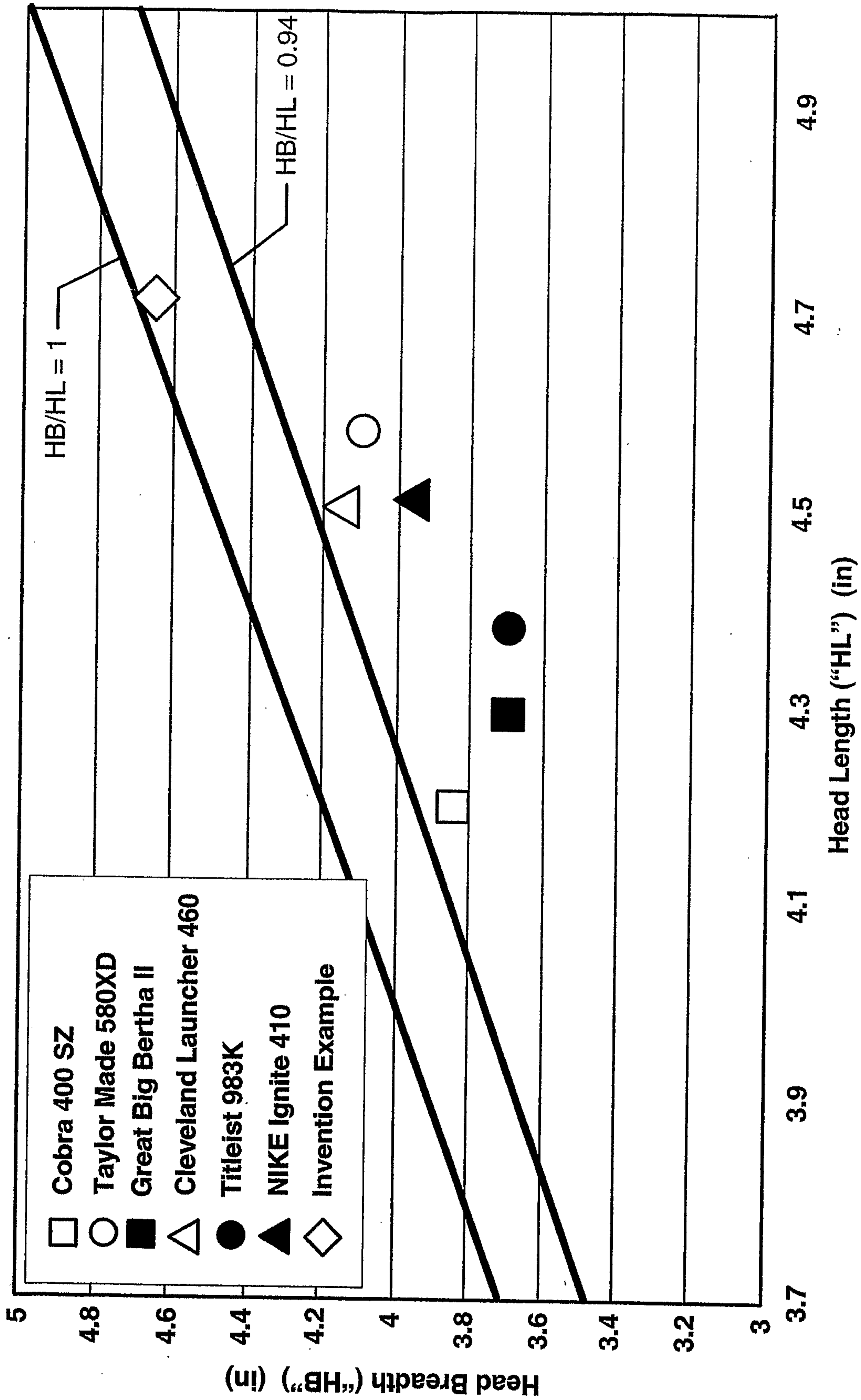


Fig. 2

