

(19) World Intellectual Property Organization
International Bureau



(43) International Publication Date
12 February 2004 (12.02.2004)

PCT

(10) International Publication Number
WO 2004/013693 A3

(51) International Patent Classification: **G01B 11/00**,
G01N 21/86

(21) International Application Number:
PCT/US2003/023948

(22) International Filing Date: 31 July 2003 (31.07.2003)

(25) Filing Language: English

(26) Publication Language: English

(30) Priority Data:
10/210,785 1 August 2002 (01.08.2002) US
10/210,780 1 August 2002 (01.08.2002) US
10/210,894 1 August 2002 (01.08.2002) US

(71) Applicant (for all designated States except US): **MOLECULAR IMPRINTS, INC.** [US/US]; 1807-C West Braker Lane, Suite 100, Austin, TX 78758-3605 (US).

(72) Inventors; and

(75) Inventors/Applicants (for US only): **WATTS, Michael, P.C.** [US/US]; 9404 Bell Mountain Drive, Austin, TX 78730 (US). **MCMACKIN, Ian** [US/US]; 7700 North Capital of Texas Hwy, #817, Austin, TX 78731 (US).

SREENIVASAN, Sidgata, V. [US/US]; 10502 Grand Oak Drive, Austin, TX 78750 (US). **CHOI, Byung-Jin** [—/—]; 11512 Medallion Lane, Austin, Texas 78750 (US). **VOISIN, Ronald, D.** [US/US]; 10050 Great Hills Trail, #509, Austin, TX 78759 (US). **SCHUMAKER, Norman, E.** [US/US]; 7600 Sandia Loop, Austin, TX 78735 (US).

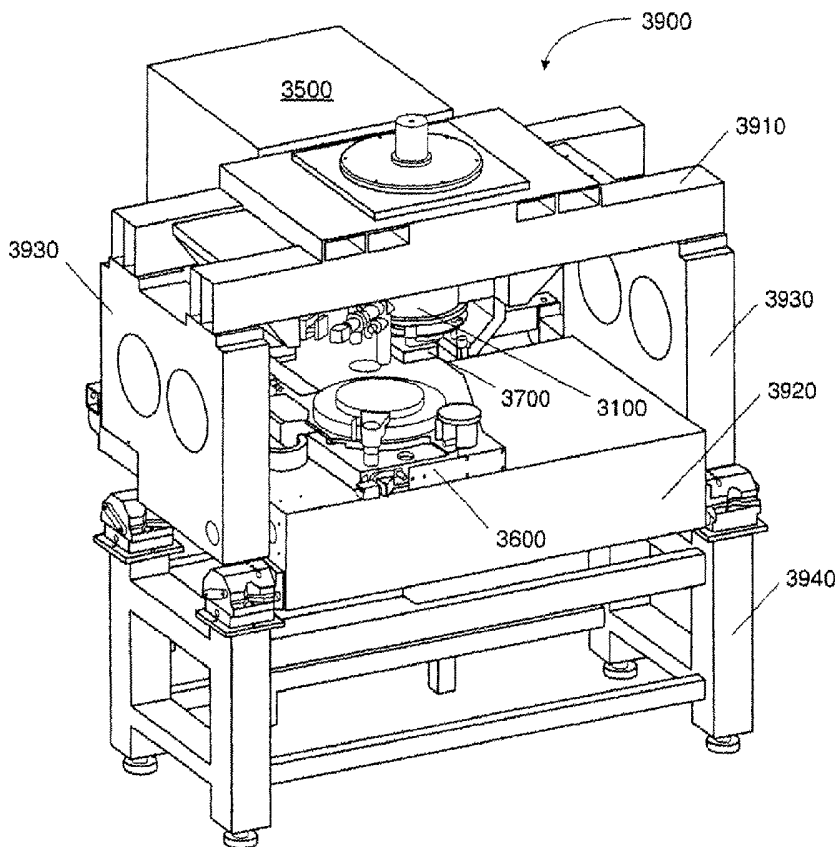
(74) Agent: **BROOKS, Kenneth, C.**; Molecular Imprints, Inc., Legal Department, P.O. Box 81536, Austin, TX 78708-1536 (US).

(81) Designated States (national): AE, AG, AL, AM, AT, AU, AZ, BA, BB, BG, BR, BY, BZ, CA, CH, CN, CO, CR, CU, CZ, DE, DK, DM, DZ, EC, EE, ES, FI, GB, GD, GE, GH, GM, HR, HU, ID, IL, IN, IS, JP, KE, KG, KP, KR, KZ, LC, LK, LR, LS, LT, LU, LV, MA, MD, MG, MK, MN, MW, MX, MZ, NI, NO, NZ, OM, PG, PH, PL, PT, RO, RU, SC, SD, SE, SG, SK, SL, SY, TJ, TM, TN, TR, TT, TZ, UA, UG, US, UZ, VC, VN, YU, ZA, ZM, ZW.

(84) Designated States (regional): ARIPO patent (GH, GM, KE, LS, MW, MZ, SD, SL, SZ, TZ, UG, ZM, ZW),

[Continued on next page]

(54) Title: SCATTEROMETRY ALIGNMENT FOR IMPRINT LITHOGRAPHY



(57) Abstract: Described are methods for patterning a substrate by imprint lithography. Imprint lithography is a process in which a liquid is dispensed onto a substrate. A template is brought into contact with the liquid and the liquid is cured. The cured liquid includes an imprint of any patterns formed in the template. Alignment of the template with a previously formed layer on a substrate, in one embodiment, is accomplished by using scatterometry.

WO 2004/013693 A3



Eurasian patent (AM, AZ, BY, KG, KZ, MD, RU, TJ, TM), European patent (AT, BE, BG, CH, CY, CZ, DE, DK, EE, ES, FI, FR, GB, GR, HU, IE, IT, LU, MC, NL, PT, RO, SE, SI, SK, TR), OAPI patent (BF, BJ, CF, CG, CI, CM, GA, GN, GQ, GW, ML, MR, NE, SN, TD, TG).

(88) Date of publication of the international search report:
19 January 2006

Published:

— with international search report

For two-letter codes and other abbreviations, refer to the "Guidance Notes on Codes and Abbreviations" appearing at the beginning of each regular issue of the PCT Gazette.

INTERNATIONAL SEARCH REPORT

International application No.

PCT/US03/23948

A. CLASSIFICATION OF SUBJECT MATTER
 IPC(7) : G01B 11/00; G01N 21/86
 US CL : 356/401,400; 430/22,30,302,322,311
 According to International Patent Classification (IPC) or to both national classification and IPC

B. FIELDS SEARCHED
 Minimum documentation searched (classification system followed by classification symbols)
 U.S. : 356/401,400; 430/22,30,302,322,311

Documentation searched other than minimum documentation to the extent that such documents are included in the fields searched
 NONE

Electronic data base consulted during the international search (name of data base and, where practicable, search terms used)
 EAST, WEST

C. DOCUMENTS CONSIDERED TO BE RELEVANT

Category *	Citation of document, with indication, where appropriate, of the relevant passages	Relevant to claim No.
Y	US 5,148,036 A (MATSUGU et al.) 15 September 1992 (15.09.1992), see col. 19, lines 5-33.	1,2
A	US 6,383,888 B1 (STIRTON) 07 May 2002 (07.05.2002), see entire document.	1-29
Y	US 5,151,754 A (ISHIBASHI et al.) 29 September 1992 (29.09.1992), see entire document.	1,2
A,E	US 6,636,311 B1 (INA et al.) 21 October 2003 (21.10.2003), see entire document.	1-29

Further documents are listed in the continuation of Box C. See patent family annex.

* Special categories of cited documents:	"T" later document published after the international filing date or priority date and not in conflict with the application but cited to understand the principle or theory underlying the invention
"A" document defining the general state of the art which is not considered to be of particular relevance	"X" document of particular relevance; the claimed invention cannot be considered novel or cannot be considered to involve an inventive step when the document is taken alone
"E" earlier application or patent published on or after the international filing date	"Y" document of particular relevance; the claimed invention cannot be considered to involve an inventive step when the document is combined with one or more other such documents, such combination being obvious to a person skilled in the art
"L" document which may throw doubts on priority claim(s) or which is cited to establish the publication date of another citation or other special reason (as specified)	"&" document member of the same patent family
"O" document referring to an oral disclosure, use, exhibition or other means	
"P" document published prior to the international filing date but later than the priority date claimed	

Date of the actual completion of the international search: 28 December 2004 (28.12.2004)
 Date of mailing of the international search report: 14 JAN 2005

Name and mailing address of the ISA/US: Mail Stop PCT, Attn: ISA/US, Commissioner of Patents, P.O. Box 1450, Alexandria, Virginia 22313-1450
 Authorized officer: L.G. Lauchman (Signature)
 Telephone No. 571-272-1550
 Facsimile No. (703) 305-3230