



- (51) International Patent Classification:
G06F 17/30 (2006.01)
- (21) International Application Number:
PCT/US2014/029324
- (22) International Filing Date:
14 March 2014 (14.03.2014)
- (25) Filing Language: English
- (26) Publication Language: English
- (30) Priority Data:
61/798,745 15 March 2013 (15.03.2013) US
- (71) Applicant: **THE ECHO NEST CORPORATION**
[US/US]; 48 Grove Street, Suite 206, Somerville, MA 02144 (US).
- (72) Inventors: **RODGER, David**; C/o The Echo Nest Corporation, 48 Grove Street, Suite 206, Somerville, MA 02144 (US). **STOWELL, Daniel**; C/o The Echo Nest Corporation, 48 Grove Street, Suite 206, Somerville, MA 02144 (US). **LINTON, Paul, E.**; C/o The Echo Nest Corporation, 48 Grove Street, Suite 206, Somerville, MA 02144 (US).

SWEENEY, Kevin; C/o The Echo Nest Corporation, 48 Grove Street, Suite 206, Somerville, MA 02144 (US).
LAMERE, Paul; C/o The Echo Nest Corporation, 48 Grove Street, Suite 206, Somerville, MA 02144 (US).

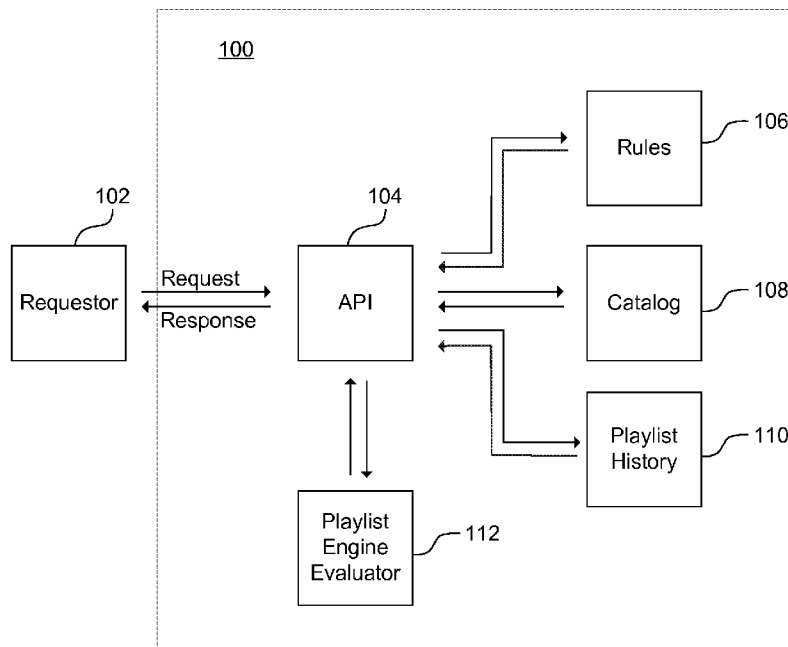
(74) Agents: **BERSCHADSKY, Jonathan** et al.; Fitzpatrick, Cella, Harper & Scinto, 1290 Avenue Of The Americas, New York, NY 10104-3800 (US).

(81) Designated States (unless otherwise indicated, for every kind of national protection available): AE, AG, AL, AM, AO, AT, AU, AZ, BA, BB, BG, BH, BN, BR, BW, BY, BZ, CA, CH, CL, CN, CO, CR, CU, CZ, DE, DK, DM, DO, DZ, EC, EE, EG, ES, FI, GB, GD, GE, GH, GM, GT, HN, HR, HU, ID, IL, IN, IR, IS, JP, KE, KG, KN, KP, KR, KZ, LA, LC, LK, LR, LS, LT, LU, LY, MA, MD, ME, MG, MK, MN, MW, MX, MY, MZ, NA, NG, NI, NO, NZ, OM, PA, PE, PG, PH, PL, PT, QA, RO, RS, RU, RW, SA, SC, SD, SE, SG, SK, SL, SM, ST, SV, SY, TH, TJ, TM, TN, TR, TT, TZ, UA, UG, US, UZ, VC, VN, ZA, ZM, ZW.

(84) Designated States (unless otherwise indicated, for every kind of regional protection available): ARIPO (BW, GH,

[Continued on next page]

(54) Title: SYSTEMS, METHODS, AND COMPUTER READABLE MEDIUM FOR GENERATING PLAYLISTS



(57) Abstract: Methods, systems and computer program products are provided for generating a playlist. An application programming interface (API) receives a request to generate a playlist, where the request includes a set of rule-primitives. A playlist engine evaluator evaluates a rule corresponding to each rule-primitive in the set of rule-primitives across a catalog of media content, calculates a cost associated with each item in the catalog of media content, and generates a playlist based on the items of the catalog having the lowest costs.

FIG. 1



GM, KE, LR, LS, MW, MZ, NA, RW, SD, SL, SZ, TZ, UG, ZM, ZW), Eurasian (AM, AZ, BY, KG, KZ, RU, TJ, TM), European (AL, AT, BE, BG, CH, CY, CZ, DE, DK, EE, ES, FI, FR, GB, GR, HR, HU, IE, IS, IT, LT, LU, LV, MC, MK, MT, NL, NO, PL, PT, RO, RS, SE, SI, SK, SM, TR), OAPI (BF, BJ, CF, CG, CI, CM, GA, GN, GQ, GW, KM, ML, MR, NE, SN, TD, TG).

— *before the expiration of the time limit for amending the claims and to be republished in the event of receipt of amendments (Rule 48.2(h))*

(88) Date of publication of the international search report:
19 May 2016

Published:

— *with international search report (Art. 21(3))*

A. CLASSIFICATION OF SUBJECT MATTER**G06F 17/30(2006.01)i**

According to International Patent Classification (IPC) or to both national classification and IPC

B. FIELDS SEARCHEDMinimum documentation searched (classification system followed by classification symbols)
G06F 17/30; G06F 17/00; G06F 7/00; G11B 27/034Documentation searched other than minimum documentation to the extent that such documents are included in the fields searched
Korean utility models and applications for utility models
Japanese utility models and applications for utility modelsElectronic data base consulted during the international search (name of data base and, where practicable, search terms used)
eKOMPASS(KIPO internal) & Keywords: generate, playlist, rule-primitive, media content, cost, heuristic, and similar terms.**C. DOCUMENTS CONSIDERED TO BE RELEVANT**

Category*	Citation of document, with indication, where appropriate, of the relevant passages	Relevant to claim No.
X	US 2012-0166436 A1 (SWAROOP KALASAPUR et al.) 28 June 2012 See paragraphs [0006]-[0007], [0017]-[0030], [0036]-[0042], and [0048]; claim 13; and figures 1-3.	1-15
A	US 2011-0213769 A1 (ETIENNE F. HANDMAN et al.) 01 September 2011 See paragraphs [0007]-[0008] and [0072]-[0074]; and figure 12.	1-15
A	US 2012-0278342 A1 (SEAN PURDY) 01 November 2012 See paragraphs [0004]-[0006] and [0085]-[0087]; and figure 8.	1-15
A	US 7627605 B1 (PAUL B. LAMERE et al.) 01 December 2009 See column 2, lines 15-47; and figure 5.	1-15
A	WO 2012-107762 A1 (PLAYNETWORK, INC.) 16 August 2012 See page 7, lines 3-11; page 9, line 18 - page 12, line 10; and figure 1.	1-15

 Further documents are listed in the continuation of Box C. See patent family annex.

* Special categories of cited documents:

"A" document defining the general state of the art which is not considered to be of particular relevance

"E" earlier application or patent but published on or after the international filing date

"L" document which may throw doubts on priority claim(s) or which is cited to establish the publication date of another citation or other special reason (as specified)

"O" document referring to an oral disclosure, use, exhibition or other means

"P" document published prior to the international filing date but later than the priority date claimed

"T" later document published after the international filing date or priority date and not in conflict with the application but cited to understand the principle or theory underlying the invention

"X" document of particular relevance; the claimed invention cannot be considered novel or cannot be considered to involve an inventive step when the document is taken alone

"Y" document of particular relevance; the claimed invention cannot be considered to involve an inventive step when the document is combined with one or more other such documents, such combination being obvious to a person skilled in the art

"&" document member of the same patent family

Date of the actual completion of the international search

30 March 2016 (30.03.2016)

Date of mailing of the international search report

31 March 2016 (31.03.2016)

Name and mailing address of the ISA/KR

International Application Division
Korean Intellectual Property Office
189 Cheongsa-ro, Seo-gu, Daejeon, 35208, Republic of Korea

Facsimile No. +82-42-481-8578

Authorized officer

HAN, JOONG SUB

Telephone No. +82-42-481-3578



INTERNATIONAL SEARCH REPORT

Information on patent family members

International application No.

PCT/US2014/029324

Patent document cited in search report	Publication date	Patent family member(s)	Publication date
US 2012-0166436 A1	28/06/2012	US 2009-055426 A1 US 8156118 B2 US 8370351 B2	26/02/2009 10/04/2012 05/02/2013
US 2011-0213769 A1	01/09/2011	US 2006-0206478 A1 US 2006-0212442 A1 US 2006-0212444 A1 US 2013-179439 A1 US 7003515 B1 US 7962482 B2 US 8306976 B2 WO 2007-067250 A1	14/09/2006 21/09/2006 21/09/2006 11/07/2013 21/02/2006 14/06/2011 06/11/2012 14/06/2007
US 2012-0278342 A1	01/11/2012	CN 101446949 A US 2009-138505 A1 US 2015-019572 A1 US 8224856 B2 US 8874574 B2 US 9164994 B2	03/06/2009 28/05/2009 15/01/2015 17/07/2012 28/10/2014 20/10/2015
US 7627605 B1	01/12/2009	None	
WO 2012-107762 A1	16/08/2012	GB 2501644 A US 2012-224828 A1	30/10/2013 06/09/2012