



(12) **United States Design Patent**
Arens et al.

(10) **Patent No.:** **US D884,061 S**
(45) **Date of Patent:** **** May 12, 2020**

- (54) **IMAGE DEVICE HOLDER**
- (71) Applicant: **Google LLC**, Mountain View, CA (US)
- (72) Inventors: **Michael Robert Arens**, San Francisco, CA (US); **John Lapetina**, San Francisco, CA (US); **Tressa Christie Scott**, Roxbury Crossing, MA (US); **Matthew Donald Wilson**, Shoreline, WA (US); **Eva Ariella Siobhan Snee**, Seattle, WA (US); **Juston Payne**, San Mateo, CA (US); **Aaron Michael Donsbach**, Seattle, WA (US); **Kenneth Sweet**, San Francisco, CA (US); **Maj Isabelle Olsson**, Sunnyvale, CA (US); **Natalie Naruns**, Los Altos, CA (US); **Dong Rim Lee**, San Jose, CA (US)
- (73) Assignee: **Google LLC**, Mountain View, CA (US)
- (**) Term: **15 Years**
- (21) Appl. No.: **29/688,757**
- (22) Filed: **Apr. 24, 2019**

Related U.S. Application Data

- (60) Continuation of application No. 29/671,702, filed on Nov. 29, 2018, now Pat. No. Des. 871,491, which is a division of application No. 29/618,869, filed on Sep. 25, 2017, now Pat. No. Des. 839,949.
- (51) **LOC (12) Cl.** **16-05**
- (52) **U.S. Cl.**
USPC **D16/242**
- (58) **Field of Classification Search**
USPC D16/219, 237–250; D8/354, 355, 363, D8/373, 382–383, 394–396; D14/224, D14/229, 238, 251, 447, 451, 457
CPC H04N 5/2253–2254; G03B 17/561–568; G03B 17/56; G02B 7/00–002; F16M
(Continued)

- (56) **References Cited**
U.S. PATENT DOCUMENTS
D239,082 S 3/1976 Manning
D251,426 S 3/1979 Molyneux
D349,041 S 7/1994 Wical
(Continued)

- OTHER PUBLICATIONS
Google Clip a camera with its own artificial intelligence system Future technology.[online] Published Oct. 19, 2017. Retrieved May 14, 2018 from URL: <http://itechfuture.com/google-clip-a-camera-with-its-own-artificial-intelligence-system/>.
(Continued)

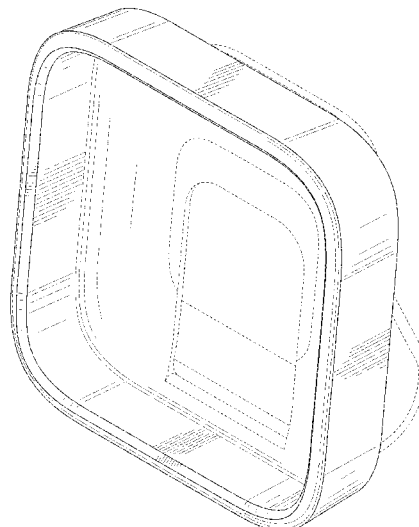
Primary Examiner — Vy N Koenig
(74) *Attorney, Agent, or Firm* — Lerner, David, Littenberg, Krumholz & Mentlik, LLP

- (57) **CLAIM**
The ornamental design for an image device holder, as shown and described.

DESCRIPTION

FIG. 1 is a front, top and left perspective view of an image device holder according to our design;
FIG. 2 is a rear, top and right perspective view of a device holder thereof;
FIG. 3 is a front view of a device holder thereof;
FIG. 4 is a rear view of a device holder thereof;
FIG. 5 is a side view of a device holder thereof;
FIG. 6 is a side view of a device holder thereof;
FIG. 7 is a top view of a device holder thereof; and,
FIG. 8 is a bottom view of a device holder thereof.
The evenly spaced broken lines and the spaces therein are included for illustrating environmental aspects only and form no part of the claimed design. The unevenly dashed broken lines depict boundaries of the claim that form no part of the claimed design.

1 Claim, 7 Drawing Sheets



(58) **Field of Classification Search**
 CPC 11/14; F16M 11/06-10; A45F
 2200/0508-0533; A45F 5/00; A45F 5/10
 See application file for complete search history.

(56) **References Cited**

U.S. PATENT DOCUMENTS

D356,244 S	3/1995	Merritt	
D559,850 S	1/2008	Lye	
D574,375 S	8/2008	Prest et al.	
D628,615 S	12/2010	Siegel et al.	
D643,457 S	8/2011	DeLong	
D663,726 S	7/2012	Gourley	
D669,890 S	10/2012	Hopkins et al.	
D676,737 S	2/2013	Zimmerer	
D704,246 S	5/2014	Chun	
D710,836 S	8/2014	Wengreen et al.	
D716,641 S	11/2014	Goodman et al.	
D727,718 S	4/2015	McLaren Hall	
D733,787 S *	7/2015	Baker	D16/237
D733,788 S	7/2015	Baker et al.	
D735,260 S	7/2015	Bould et al.	
D739,387 S	9/2015	Fujioka	
D754,240 S *	4/2016	Samuels	D16/219
D755,786 S	5/2016	Lapetina et al.	
D756,367 S	5/2016	Kim	
D765,623 S	9/2016	Yang et al.	
D767,575 S	9/2016	Green	

D769,107 S	10/2016	McLaren Hall	
D771,055 S	11/2016	Sharma et al.	
D771,616 S	11/2016	Bo	
D780,187 S	2/2017	Lee	
D784,346 S *	4/2017	Tao	D10/103
D788,780 S	6/2017	Chen	
D795,327 S	8/2017	Martin et al.	
D795,844 S	8/2017	Harper	
D798,305 S	9/2017	Wengreen	
D811,413 S	2/2018	Jeong	
D811,414 S	2/2018	Lee	
9,977,226 B2 *	5/2018	Davies	G02B 13/06
D821,482 S *	6/2018	Bacon	D16/237
D825,548 S *	8/2018	Lebovitz	D14/253
D839,949 S	2/2019	Arens et al.	
10,234,100 B2 *	3/2019	Kong	F21V 5/04
D857,077 S *	8/2019	Arens	D16/202
D861,766 S *	10/2019	Lim	D16/237
2013/0148955 A1	6/2013	Overall	

OTHER PUBLICATIONS

Narrative Clip 2. [online] Published May 20, 2015. Retrieved May 14, 2018 from U RL: <http://blog.getnarrative.com/2015/05/did-you-win-a-narrative-clip-2-if-not-theres-another-way-to-win/>.
 Notice of Grant issued in Chinese Patent Application 201830110217.7, dated Jan. 23, 2019, 3 pages.

* cited by examiner

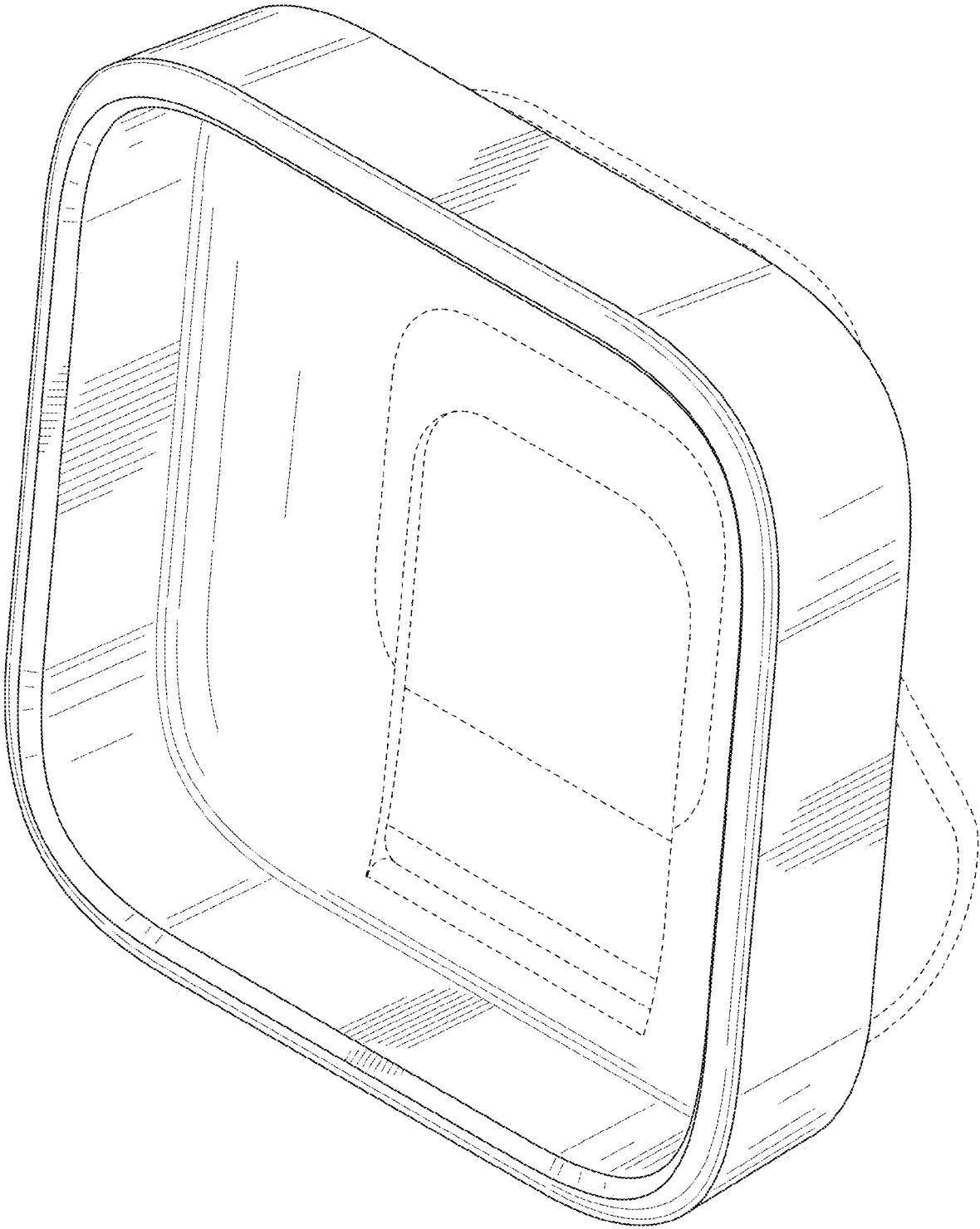


FIG. 1

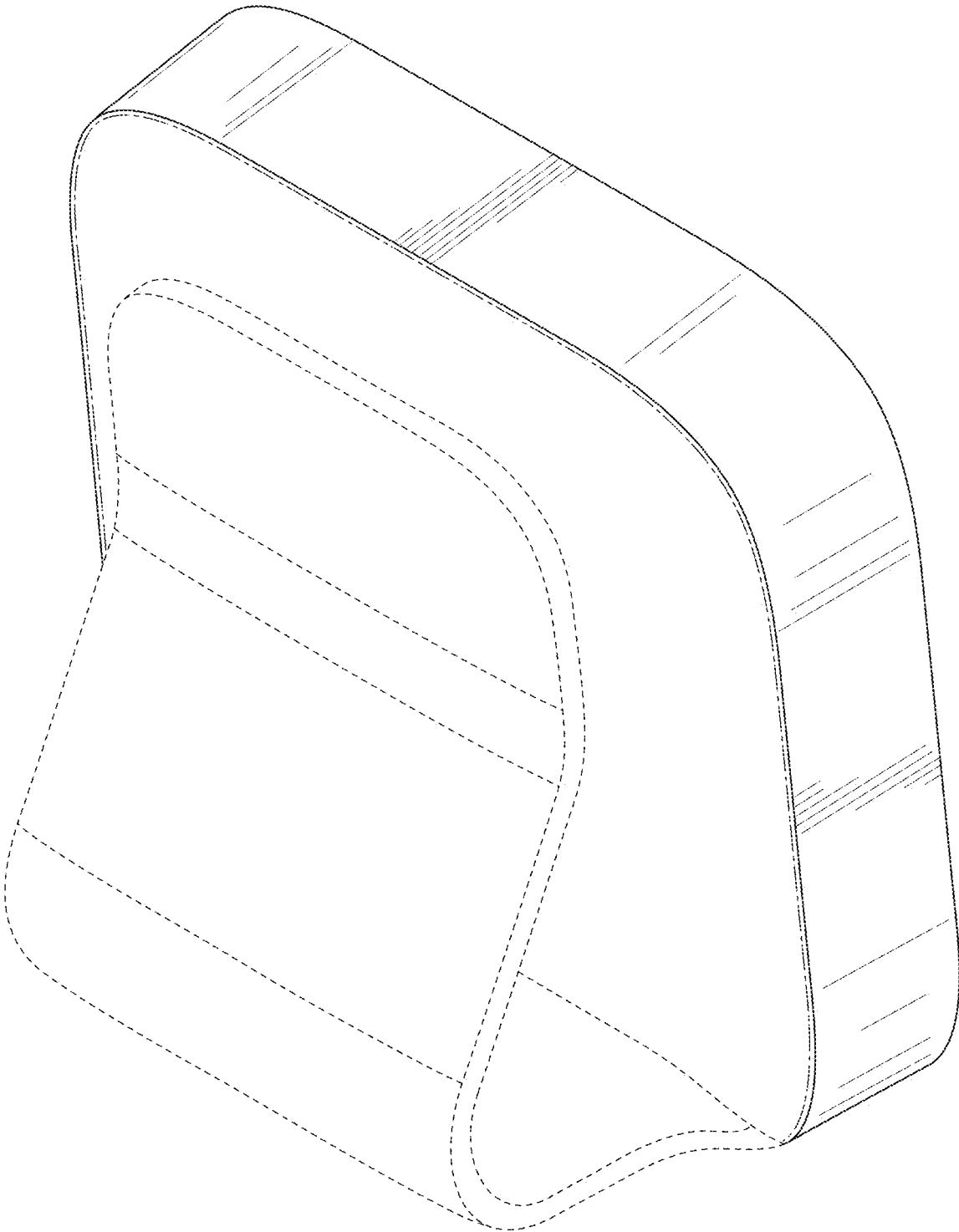


FIG. 2

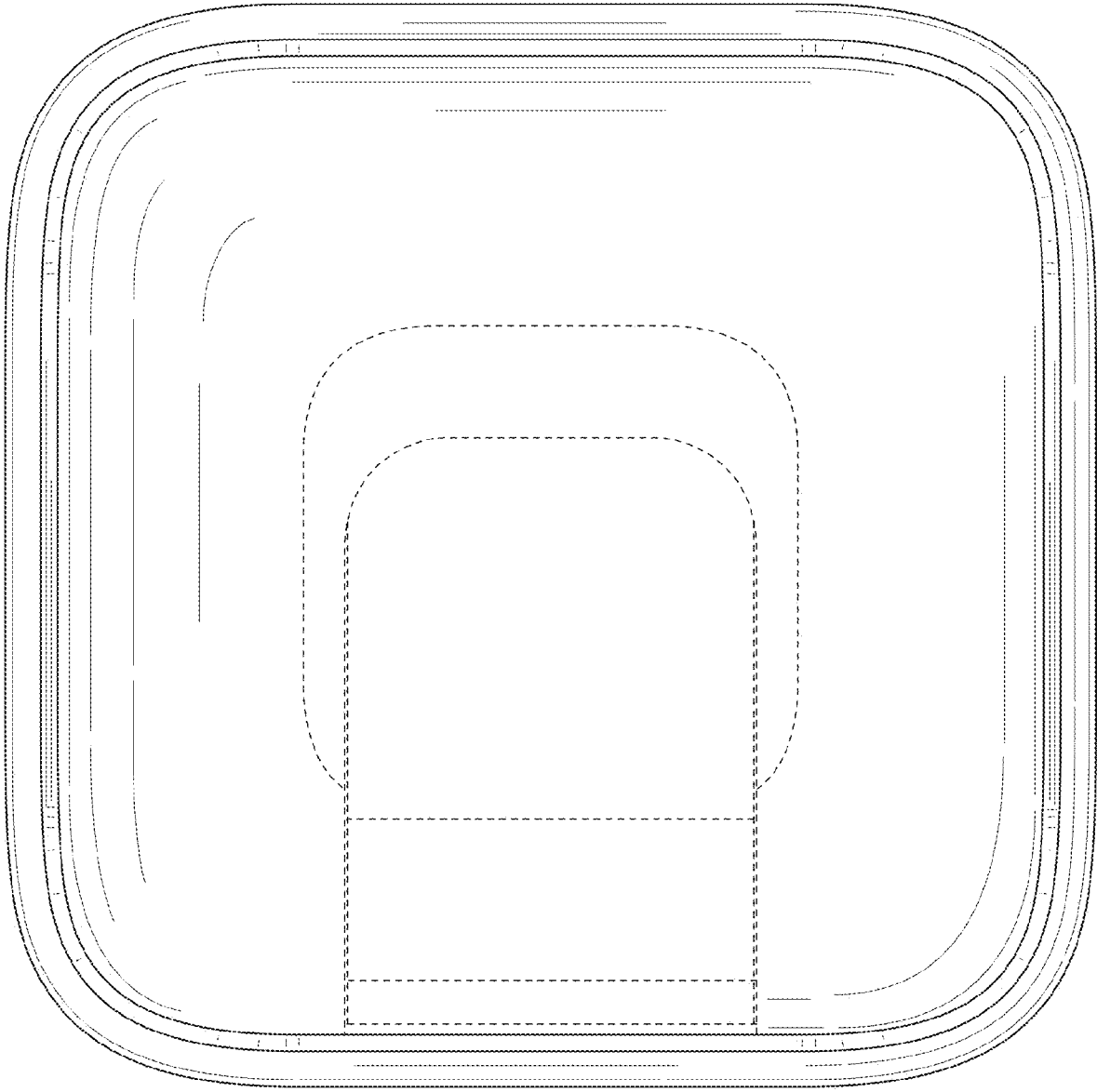


FIG. 3

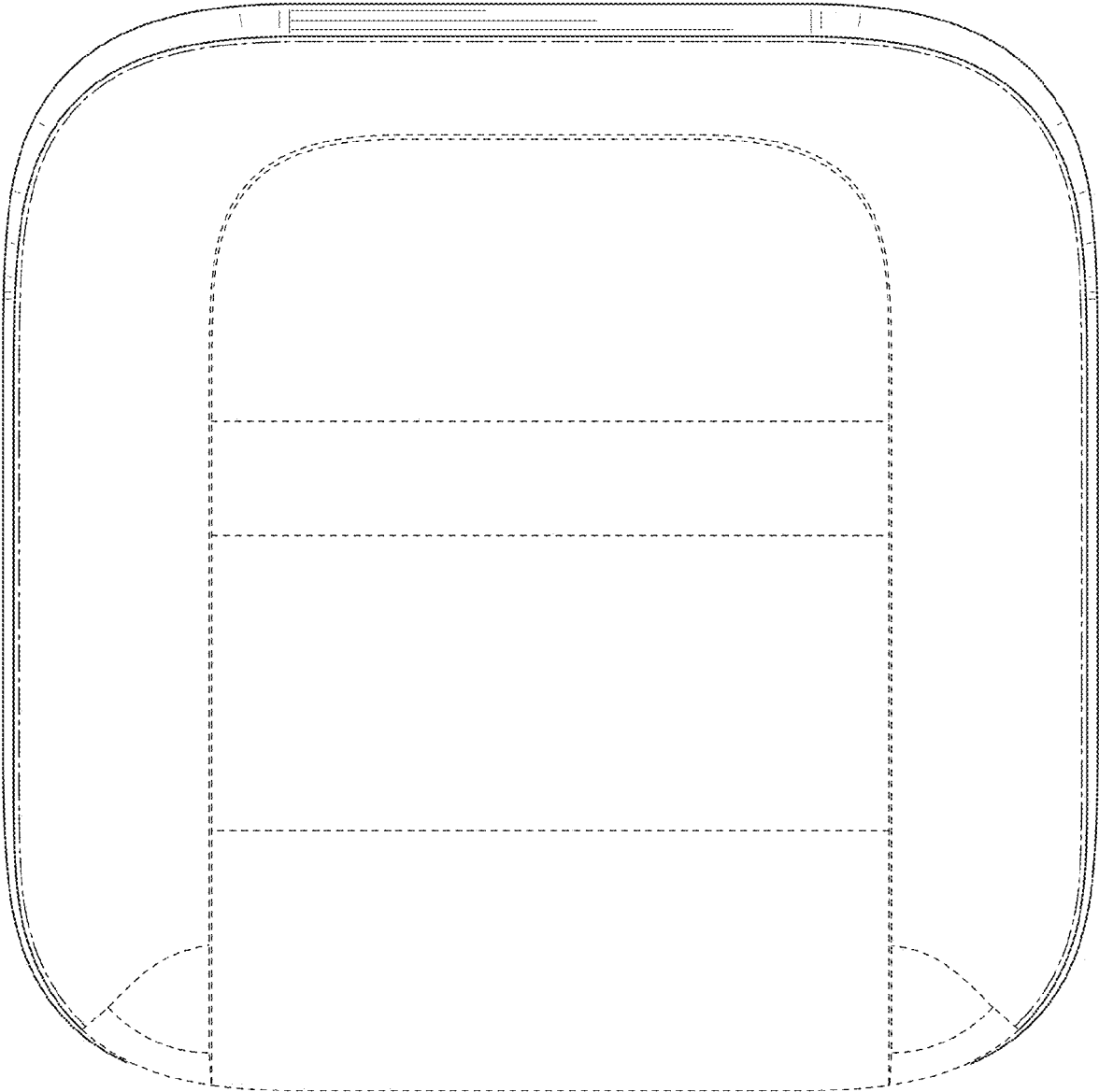


FIG. 4

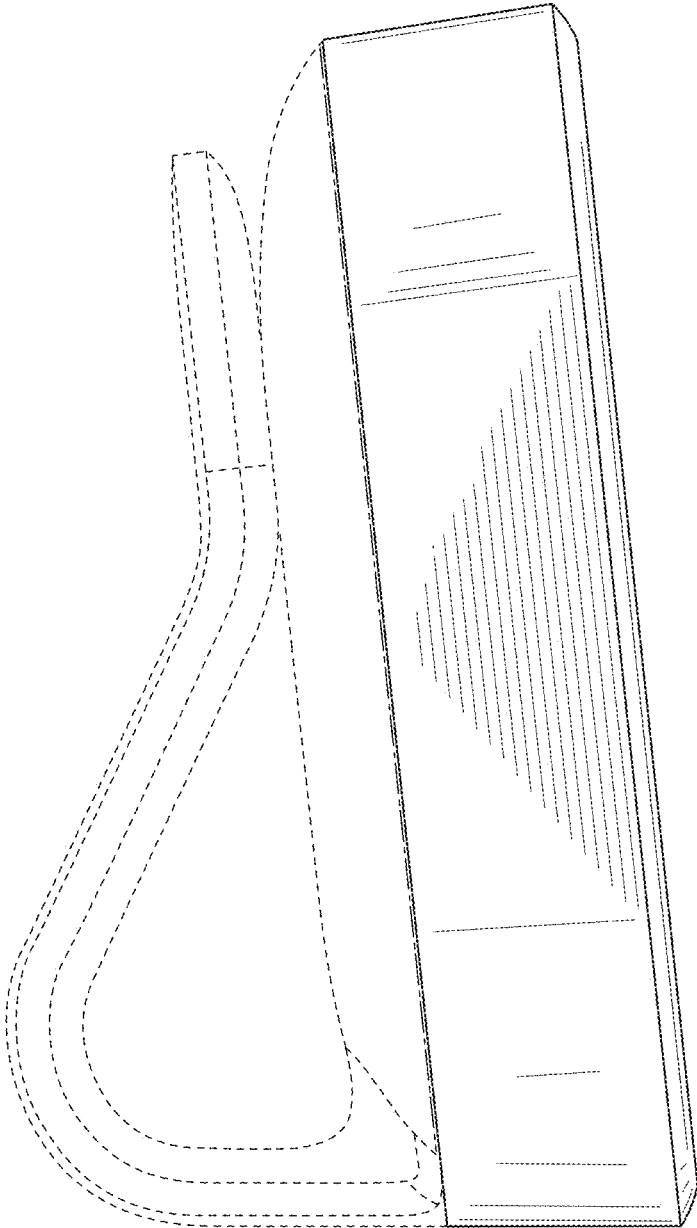


FIG. 5

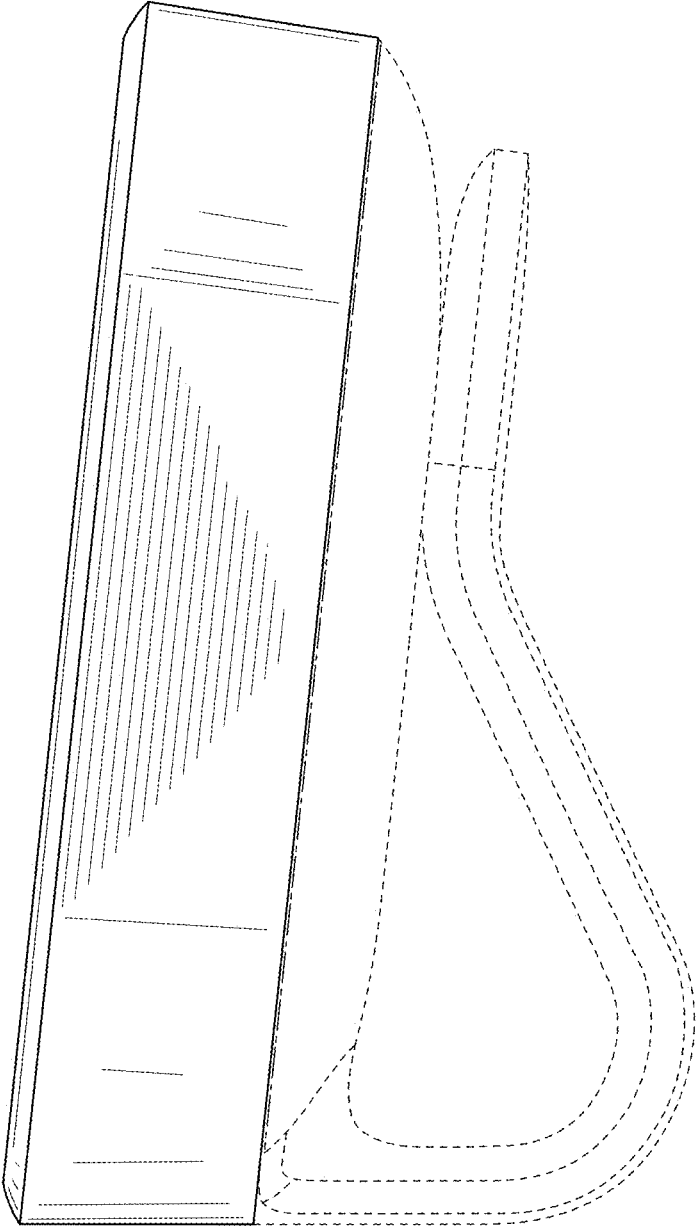


FIG. 6

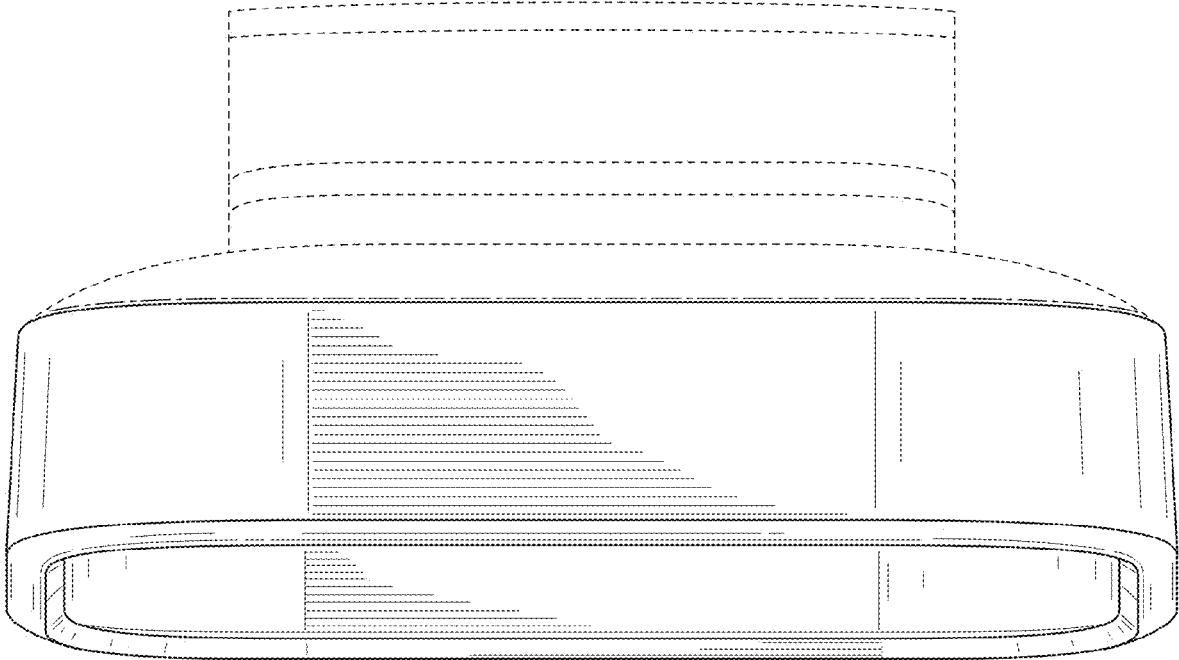


FIG. 7

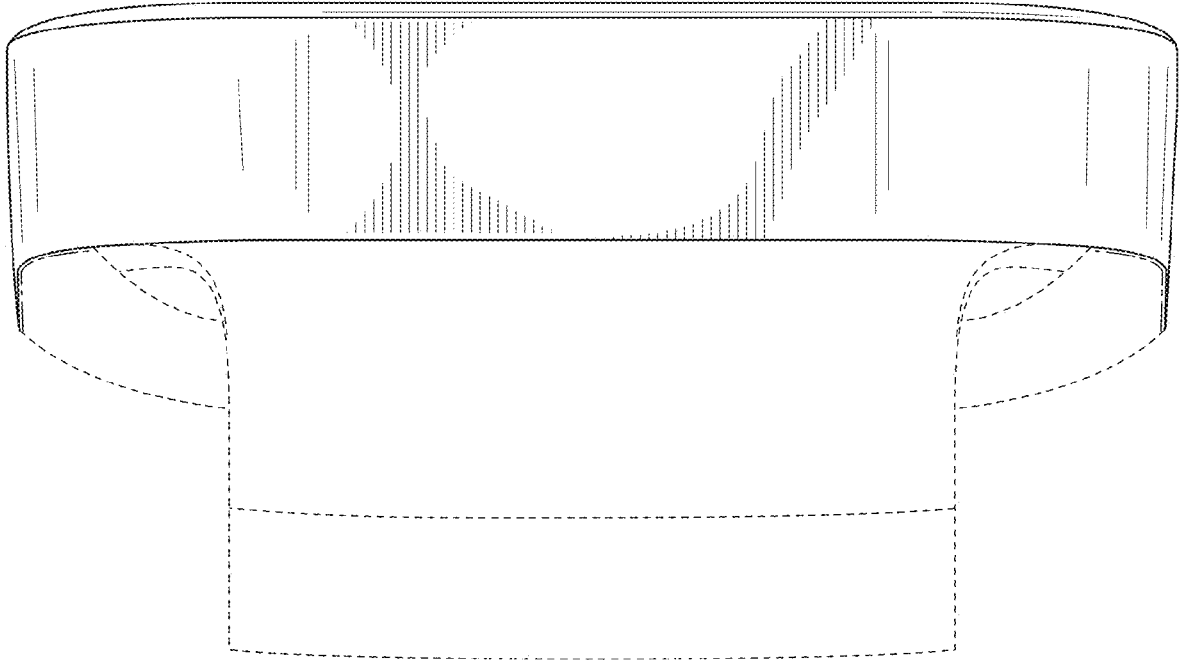


FIG. 8