

(19) World Intellectual Property Organization
International Bureau



(43) International Publication Date
24 August 2006 (24.08.2006)

PCT

(10) International Publication Number
WO 2006/088930 A3

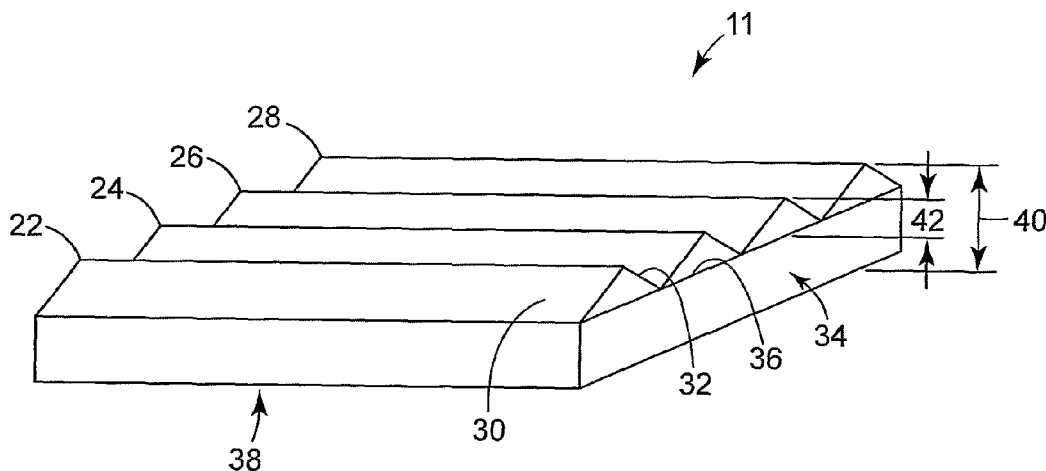
- (51) International Patent Classification:
G02B 1/04 (2006.01)
- (21) International Application Number:
PCT/US2006/005280
- (22) International Filing Date:
15 February 2006 (15.02.2006)
- (25) Filing Language: English
- (26) Publication Language: English
- (30) Priority Data:
60/653,784 17 February 2005 (17.02.2005) US
- (71) Applicant (for all designated States except US): **3M INNOVATIVE PROPERTIES COMPANY** [US/US];
3M Center, Post Office Box 33427, Saint Paul, Minnesota 55133-3427 (US).
- (72) Inventors; and
- (75) Inventors/Applicants (for US only): **JONES, Clinton L.**, [US/US]; 3M Center, Post Office Box 33427, Saint Paul, Minnesota 55133-3427 (US). **KOLB, Brant U.**, [US/US]; 3M Center, Post Office Box 33427, Saint Paul, Minnesota 55133-3427 (US).
- (74) Agents: **FISCHER, Carolyn, A.**, et al.; 3M Center, Office Of Intellectual Property Counsel, Post Office Box 33427, Saint Paul, Minnesota 55133-3427 (US).

- (81) Designated States (unless otherwise indicated, for every kind of national protection available): AE, AG, AL, AM, AT, AU, AZ, BA, BB, BG, BR, BW, BY, BZ, CA, CH, CN, CO, CR, CU, CZ, DE, DK, DM, DZ, EC, EE, EG, ES, FI, GB, GD, GE, GH, GM, HR, HU, ID, IL, IN, IS, JP, KE, KG, KM, KN, KP, KR, KZ, LC, LK, LR, LS, LT, LU, LY, MA, MD, MG, MK, MN, MW, MX, MZ, NA, NG, NI, NO, NZ, OM, PG, PH, PL, PT, RO, RU, SC, SD, SE, SG, SK, SL, SM, SY, TJ, TM, TN, TR, TT, TZ, UA, UG, US, UZ, VC, VN, YU, ZA, ZM, ZW.
- (84) Designated States (unless otherwise indicated, for every kind of regional protection available): ARIPO (BW, GH, GM, KE, LS, MW, MZ, NA, SD, SL, SZ, TZ, UG, ZM, ZW), Eurasian (AM, AZ, BY, KG, KZ, MD, RU, TJ, TM), European (AT, BE, BG, CH, CY, CZ, DE, DK, EE, ES, FI, FR, GB, GR, HU, IE, IS, IT, LT, LU, LV, MC, NL, PL, PT, RO, SE, SI, SK, TR), OAPI (BF, BJ, CF, CG, CI, CM, GA, GN, GQ, GW, ML, MR, NE, SN, TD, TG).

- Published:
— with international search report
- (88) Date of publication of the international search report:
1 February 2007

For two-letter codes and other abbreviations, refer to the "Guidance Notes on Codes and Abbreviations" appearing at the beginning of each regular issue of the PCT Gazette.

(54) Title: BRIGHTNESS ENHANCEMENT FILM COMPRISING POLYMERIZED ORGANIC PHASE HAVING LOW GLASS TRANSITION TEMPERATURE



(57) Abstract: Microstructured articles such as brightness enhancing film and turning films having a (e.g. brightness enhancing) polymerized structure comprising the reaction product an organic phase and at least 10 wt-% inorganic nanoparticles. The reaction product of the organic phase has a glass transition temperature of less than 35°C.

WO 2006/088930 A3

INTERNATIONAL SEARCH REPORT

International application No
PCT/US2006/005280

A. CLASSIFICATION OF SUBJECT MATTER
INV. G02B1/04

According to International Patent Classification (IPC) or to both national classification and IPC

B. FIELDS SEARCHED

Minimum documentation searched (classification system followed by classification symbols)
G02B

Documentation searched other than minimum documentation to the extent that such documents are included in the fields searched

Electronic data base consulted during the international search (name of data base and, where practical, search terms used)

EPO-Internal, WPI Data

C. DOCUMENTS CONSIDERED TO BE RELEVANT

Category*	Citation of document, with indication, where appropriate, of the relevant passages	Relevant to claim No.
X	US 2004/132858 A1 (CHISHOLM BRET JA ET AL) 8 July 2004 (2004-07-08) paragraphs [0002], [0003], [0018], [0021], [0022], [0028]; claims 1,6,12; figure 1; examples 9,10	1-7,9, 10,15, 17-19, 22,23
Y	& US 4 576 850 A (MARTENS ET AL) 18 March 1986 (1986-03-18) column 36, lines 22-50	16
Y	US 2003/100693 A1 (OLSON DAVID B ET AL) 29 May 2003 (2003-05-29) paragraphs [0024] - [0026]	16

Further documents are listed in the continuation of Box C.

See patent family annex.

* Special categories of cited documents:

- "A" document defining the general state of the art which is not considered to be of particular relevance
- "E" earlier document but published on or after the international filing date
- "L" document which may throw doubts on priority claim(s) or which is cited to establish the publication date of another citation or other special reason (as specified)
- "O" document referring to an oral disclosure, use, exhibition or other means
- "P" document published prior to the international filing date but later than the priority date claimed

- "T" later document published after the international filing date or priority date and not in conflict with the application but cited to understand the principle or theory underlying the invention
- "X" document of particular relevance; the claimed invention cannot be considered novel or cannot be considered to involve an inventive step when the document is taken alone
- "Y" document of particular relevance; the claimed invention cannot be considered to involve an inventive step when the document is combined with one or more other such documents, such combination being obvious to a person skilled in the art.
- "&" document member of the same patent family

Date of the actual completion of the international search

29 August 2006

Date of mailing of the international search report

08-11-2006

Name and mailing address of the ISA/

European Patent Office, P.B. 5818 Patentaan 2
NL - 2280 H / Rijswijk
Tel. (+31-70) 340-2040, Tx. 31 651 epo nl,
Fax: (+31-70) 340-3016

Authorized officer

Stabel, Andreas

INTERNATIONAL SEARCH REPORT

International application No.
PCT/US2006/005280

Box II Observations where certain claims were found unsearchable (Continuation of item 2 of first sheet)

This International Search Report has not been established in respect of certain claims under Article 17(2)(a) for the following reasons:

1. Claims Nos.:
because they relate to subject matter not required to be searched by this Authority, namely:

2. Claims Nos.:
because they relate to parts of the International Application that do not comply with the prescribed requirements to such an extent that no meaningful International Search can be carried out, specifically:

3. Claims Nos.:
because they are dependent claims and are not drafted in accordance with the second and third sentences of Rule 6.4(a).

Box III Observations where unity of invention is lacking (Continuation of item 3 of first sheet)

This International Searching Authority found multiple inventions in this international application, as follows:

see additional sheet

1. As all required additional search fees were timely paid by the applicant, this International Search Report covers all searchable claims.
2. As all searchable claims could be searched without effort justifying an additional fee, this Authority did not invite payment of any additional fee.
3. As only some of the required additional search fees were timely paid by the applicant, this International Search Report covers only those claims for which fees were paid, specifically claims Nos.:
4. No required additional search fees were timely paid by the applicant. Consequently, this International Search Report is restricted to the invention first mentioned in the claims; it is covered by claims Nos.:

35, 36, 41, 42

Remark on Protest

- The additional search fees were accompanied by the applicant's protest.
- No protest accompanied the payment of additional search fees.

FURTHER INFORMATION CONTINUED FROM PCT/ISA/ 210

This International Searching Authority found multiple (groups of) inventions in this international application, as follows:

1. claims: 1-34, 37-40

A BRIGHTNESS ENHANCING film comprising a brightness enhancing polymerized structure comprising the reaction product an organic phase and at least 10 wt-% inorganic nanoparticles, wherein the organic phase comprises at least one oligomer or monomer that comprises at least two (meth)acrylate groups, at least one monofunctional (meth)acryl monomer, and the reaction product of the organic phase has a glass transition temperature of less than 35 deg. C

2. claims: 35, 36, 41, 42

An optical TURNING film comprising a polymerized structure comprising the reaction product an organic phase and at least 10 wt-% inorganic nanoparticles, wherein the organic phase comprises at least one oligomer or monomer that comprises at least two (meth)acrylate groups, at least one monofunctional (meth)acryl monomer, and the reaction product of the organic phase has a glass transition temperature of less than 35 deg. C

INTERNATIONAL SEARCH REPORT

Information on patent family members

International application No

PCT/US2006/005280

Patent document cited in search report	Publication date	Patent family member(s)	Publication date
US 2004132858	A1	08-07-2004	NONE
US 4576850	A	18-03-1986	CA 1133209 A1 12-10-1982 GB 2027441 A 20-02-1980 GB 2110702 A 22-06-1983 JP 1733544 C 17-02-1993 JP 4005681 B 03-02-1992 JP 55016098 A 04-02-1980
US 2003100693	A1	29-05-2003	AT 313572 T 15-01-2006 CN 1481398 A 10-03-2004 DE 60116143 T2 03-08-2006 EP 1352000 A1 15-10-2003 JP 2004516367 T 03-06-2004 WO 02051892 A1 04-07-2002 US 2002123589 A1 05-09-2002