



US00D915534S

(12) **United States Design Patent** (10) **Patent No.:** **US D915,534 S**
Adams (45) **Date of Patent:** **** Apr. 6, 2021**

(54) **WEIGHT RACK WITH NAME PLATE**

OTHER PUBLICATIONS

(71) Applicant: **Coulter Ventures, LLC.**, Columbus, OH (US)

Product listing for Rogue RM-6 Monster Rack from <https://web.archive.org/web/20180725062357/https://www.roguefitness.com/rogue-rm-6-bolt-together-monster-rack-2-0>, dated Jul. 25, 2018.

(72) Inventor: **Bryan Adams**, Columbus, OH (US)

(Continued)

(73) Assignee: **Coulter Ventures, LLC.**, Columbus, OH (US)

Primary Examiner — Ryan Harvey

(74) *Attorney, Agent, or Firm* — Banner & Witcoff, Ltd.

(**) Term: **15 Years**

(21) Appl. No.: **29/706,991**

(57) **CLAIM**

(22) Filed: **Sep. 25, 2019**

The ornamental design for a weight rack with name plate, as shown and described.

(51) **LOC (13) Cl.** **21-02**

(52) **U.S. Cl.**

USPC **D21/694**; D21/686

(58) **Field of Classification Search**

USPC D21/694, 686, 676, 673, 690, 681, 680, D21/682, 688, 663, 679, 691, 674; 482/131, 38, 142, 130, 94, 145, 108, 104, 482/129, 120, 98; D12/203, 130, 406; D24/188; D8/330; D6/536, 553
CPC A63B 21/0628; A63B 21/4035; A63B 21/078; A63B 21/075; A63B 21/063; A63B 21/0728; A63B 21/072; A63B 23/1218; A63B 23/1209; A63B 23/12; A63B 21/0783; A63B 21/4017

See application file for complete search history.

DESCRIPTION

FIG. 1 is a top, front, left perspective view of a weight rack with name plate showing my new design;

FIG. 2 is a front view thereof;

FIG. 3 is a rear view thereof;

FIG. 4 is a left side view thereof;

FIG. 5 is a right side view thereof;

FIG. 6 is a top view thereof;

FIG. 7 is a bottom view thereof;

FIG. 8 is a top, front, left perspective view of the name plate of the weight rack with name plate of FIGS. 1-7, showing my new design;

FIG. 9 is a front view thereof;

FIG. 10 is a rear view thereof;

FIG. 11 is a top view thereof;

FIG. 12 is a bottom side view thereof;

FIG. 13 is a left side thereof; and,

FIG. 14 is a right side view thereof.

The broken lines immediately adjacent to the shaded areas define the bounds of the claimed design and form no part thereof. The broken lines depicting the remainder of the weight rack with name plate show features that form no part of the claimed design.

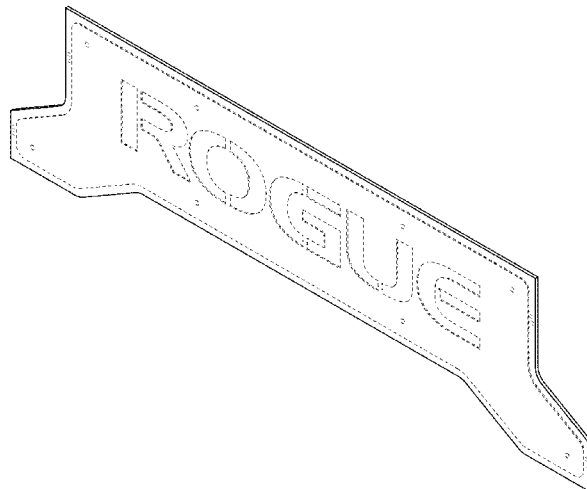
(56) **References Cited**

U.S. PATENT DOCUMENTS

2,067,403 A 1/1937 Lea
D212,021 S 8/1968 Gregory
4,527,797 A 7/1985 Slade, Jr. et al.
4,666,154 A 5/1987 Lipscomb et al.
D291,338 S 8/1987 Ringel et al.
4,907,798 A 3/1990 Burchatz
5,203,752 A 4/1993 Frankel
5,273,506 A 12/1993 Dawson, Jr.
5,372,556 A 12/1994 Ropp
5,395,296 A 3/1995 Webster et al.

(Continued)

1 Claim, 10 Drawing Sheets



(56)

References Cited

U.S. PATENT DOCUMENTS

- | | | | | |
|--------------|------|---------|--------------------|-----------------------|
| D358,623 | S | 5/1995 | Macasieb | |
| 5,411,453 | A | 5/1995 | Wilson | |
| 5,928,119 | A | 7/1999 | Dinkel | |
| 6,220,988 | B1 * | 4/2001 | Williams | A63B 23/12
482/108 |
| D496,248 | S | 9/2004 | Liebendorfer | |
| D549,291 | S | 8/2007 | Grider | |
| D550,790 | S | 9/2007 | Staten | |
| D550,791 | S | 9/2007 | Rogers et al. | |
| D550,792 | S | 9/2007 | Rogers et al. | |
| D550,793 | S | 9/2007 | Rogers et al. | |
| D551,306 | S | 9/2007 | Rogers et al. | |
| D629,472 | S | 12/2010 | Rhodes | |
| D635,206 | S | 3/2011 | Henniger | |
| D636,038 | S | 4/2011 | Henniger | |
| D636,040 | S | 4/2011 | Henniger | |
| 8,016,686 | B2 | 9/2011 | Liggett et al. | |
| RE43,397 | E | 5/2012 | Rogers et al. | |
| D664,622 | S | 7/2012 | Orsulak et al. | |
| D664,624 | S | 7/2012 | Orsulak et al. | |
| D672,419 | S | 12/2012 | Stroitz | |
| D697,988 | S | 1/2014 | Januszek | |
| D698,402 | S | 1/2014 | Saletta | |
| D699,805 | S | 2/2014 | Green | |
| 8,876,673 | B2 | 11/2014 | Inglut | |
| 8,998,781 | B1 | 4/2015 | Nelson | |
| D734,410 | S | 7/2015 | Childs et al. | |
| 9,095,742 | B2 | 8/2015 | Henniger et al. | |
| D742,979 | S | 11/2015 | Post | |
| 9,192,799 | B2 | 11/2015 | Alenaddaf | |
| 9,278,246 | B2 | 3/2016 | Tambornino et al. | |
| D762,789 | S | 8/2016 | Gilchrist | |
| D767,692 | S | 9/2016 | Kuka | |
| D767,693 | S | 9/2016 | Kuka | |
| 9,492,701 | B1 | 11/2016 | Bognatz | |
| D781,453 | S | 3/2017 | Gomez | |
| 9,610,490 | B2 | 4/2017 | Tambornino et al. | |
| D788,945 | S | 6/2017 | Meyer | |
| D794,144 | S | 8/2017 | Abelbeck et al. | |
| D815,305 | S | 4/2018 | Alvarado et al. | |
| D818,547 | S * | 5/2018 | Meredith | D21/686 |
| D836,172 | S | 12/2018 | Kuka | |
| 10,226,661 | B2 | 3/2019 | Henniger et al. | |
| D852,291 | S * | 6/2019 | Meredith | D21/694 |
| 10,307,634 | B2 | 6/2019 | Young | |
| D852,907 | S | 7/2019 | Sergakis | |
| D883,406 | S * | 5/2020 | Sergakis | D21/686 |
| D888,850 | S * | 6/2020 | Smith, Jr. | D21/686 |
| 2007/0032357 | A1 | 2/2007 | Piane | |
| 2007/0155594 | A1 | 7/2007 | Rogers et al. | |
| 2007/0155595 | A1 | 7/2007 | Rogers et al. | |
| 2007/0155596 | A1 | 7/2007 | Rogers et al. | |
| 2012/0142506 | A1 | 6/2012 | Hetrick et al. | |
| 2012/0329613 | A1 | 12/2012 | Schiano | |
| 2013/0274080 | A1 | 10/2013 | Matsushita | |
| 2013/0296143 | A1 | 11/2013 | Staten et al. | |
| 2013/0296146 | A1 | 11/2013 | Staten et al. | |
| 2013/0324382 | A1 | 12/2013 | Wilson | |
| 2014/0014604 | A1 | 1/2014 | de Moraes Correia | |
| 2014/0087928 | A1 | 3/2014 | Luedeka | |
| 2014/0135183 | A1 | 5/2014 | Inglut | |
| 2014/0274563 | A1 | 9/2014 | Sheta | |
| 2015/0011370 | A1 | 1/2015 | Henniger | |
| 2015/0014212 | A1 | 1/2015 | Beaver et al. | |
| 2015/0016919 | A1 | 1/2015 | Tambornino et al. | |
| 2015/0059257 | A1 | 3/2015 | Beaver et al. | |
| 2015/0065316 | A1 | 3/2015 | Towley, III et al. | |
| 2015/0196119 | A1 | 7/2015 | Henniger | |
| 2015/0290488 | A1 | 10/2015 | Hopperstad et al. | |
| 2016/0023035 | A1 | 1/2016 | Meyer | |
| 2017/0007877 | A1 | 1/2017 | Leipheimer | |
| 2017/0056705 | A1 | 3/2017 | Zha et al. | |
| 2017/0080276 | A1 | 3/2017 | Rodrigues | |
| 2017/0120099 | A1 | 5/2017 | Biddix, Jr. | |
| 2017/0189736 | A1 | 7/2017 | Martin | |
| 2017/0246496 | A1 | 8/2017 | Nelson et al. | |
| 2018/0036573 | A1 | 2/2018 | Lennox et al. | |
| 2018/0117382 | A1 * | 5/2018 | Johanson | A63B 21/00047 |
| 2018/0178051 | A1 | 6/2018 | Shaw, Jr. | |
| 2018/0243597 | A1 | 8/2018 | Schlegel | |
| 2018/0326250 | A1 | 11/2018 | Henniger et al. | |
| 2018/0353795 | A1 * | 12/2018 | Ostmeyer | A63B 23/035 |
| 2019/0009157 | A1 | 1/2019 | Sudeith et al. | |
| 2019/0240521 | A1 | 8/2019 | Staten | |
| 2019/0269992 | A1 * | 9/2019 | Dunahay | A47B 47/0083 |
| 2019/0275363 | A1 | 9/2019 | Jones et al. | |
| 2020/0179744 | A1 * | 6/2020 | Arroyo | A63B 21/0626 |

OTHER PUBLICATIONS

- Product listing for Rogue Monster Lite Crossmembers from <https://web.archive.org/web/20180726214651/https://www.roguefitness.com/monster-lite-crossmembers>, dated Jul. 26, 2018.
- Product listing for Rogue Monster Crossmembers from <https://web.archive.org/web/20151005121212/http://www.roguefitness.com/rogue-monster-crossmembers>, dated Oct. 5, 2015.
- Product listing for Rogue Monster Lite Crossmembers from <https://web.archive.org/web/20150831043319/http://www.roguefitness.com/monster-lite-crossmembers>, dated Aug. 31, 2015.
- Product listing for Monster Lite Monkey Rig 2.0 from <https://web.archive.org/web/20161202195146/http://www.roguefitness.com/rogue-monster-lite-monkey-rig-2-0>, dated Dec. 2, 2016.
- Product listing for Rogue Echo Rig from <https://web.archive.org/web/20160518084653/http://www.roguefitness.com/echo-rig>, dated May 18, 2016.
- Product listing for Rogue Monster Lite Rig 2.0 from <https://web.archive.org/web/20160511215330/http://www.roguefitness.com/monster-lite-rig-2-0>, dated May 11, 2016.
- Product listing for Rogue Monster Rig 2.0 from <https://web.archive.org/web/20160511213413/http://www.roguefitness.com/monster-rig-2-0>, dated May 11, 2016.
- Product listing for Rogue Monster Rig from <https://web.archive.org/web/20160317072250/http://www.roguefitness.com/monster-rig>, dated Mar. 17, 2016.
- Product listing for Rogue Infinity Rig from <https://web.archive.org/web/20160518082947/http://www.roguefitness.com/infinity-rig>, dated May 18, 2016.
- Photos of Rogue Regional Rig, known to be publicly disclosed prior to Apr. 25, 2017.
- Photos of Rogue Regional Rig from <https://twitter.com/roguefitness/status/865599795754180608>, dated May 19, 2017.
- Screenshots taken from https://www.youtube.com/watch?v=OWN6HYHR0_Y, dated Jul. 28, 2017.
- Roguefitness, "Rogue Monster Climbing Hold Crossmembers", Jan. 14, 2020. https://www.roguefitness.com/rogue-monster-climbing-hold-crossmember?prod_id=67426&gclid=CjwKCAiA6vXwBRBKEiwAYE7iS_Zy9bmf6yjAtCsxaQrVrJkdDypcRxqH6MGaAQf7xiwX6WZlco0xoCGLAQAvD_BwE. Shown on p. 1. (Year: 2020).
- Product listing for Rogue Monster Lite Monkey Rig 2.0 from <https://web.archive.org/web/20170629153857/http://www.roguefitness.com/rogue-monster-lite-monkey-rig-2-0>, dated Jun. 29, 2017.
- Product listing for Rogue Monster Wingspan Rig from <https://www.roguefitness.com/rogue-monster-wingspan-rig>, dated Mar. 20, 2020, product available prior to Jul. 31, 2018.
- Product listing for Rogue Monster Crossmembers from <https://web.archive.org/web/20180831022022/https://www.roguefitness.com/rogue-monster-crossmembers>, dated Aug. 31, 2018.
- Product listing for Rogue Monster Crossmembers from <https://web.archive.org/web/20151005121212/https://www.roguefitness.com/rogue-monster-crossmembers>, dated Oct. 5, 2015.
- Product listing for Monster Lite Crossmembers from <https://web.archive.org/web/20180726214651/https://www.roguefitness.com/monster-lite-crossmembers>, dated Jul. 26, 2018.
- Product listing for Rogue Infinity Crossmembers from <https://web.archive.org/web/20171106183221/http://www.roguefitness.com/rogue-infinity-crossmembers>, dated Nov. 6, 2017.

(56)

References Cited

OTHER PUBLICATIONS

Product listing for Rogue Infinity Crossmembers from <https://web.archive.org/web/20151005114744/http://www.roguefitness.com/rogue-infinity-crossmembers>, dated Oct. 5, 2015.

Product listing for Rogue Echo Crossmembers from <https://web.archive.org/web/20151005124555/http://www.roguefitness.com/rogue-echo-crossmembers>, dated Oct. 5, 2015.

* cited by examiner

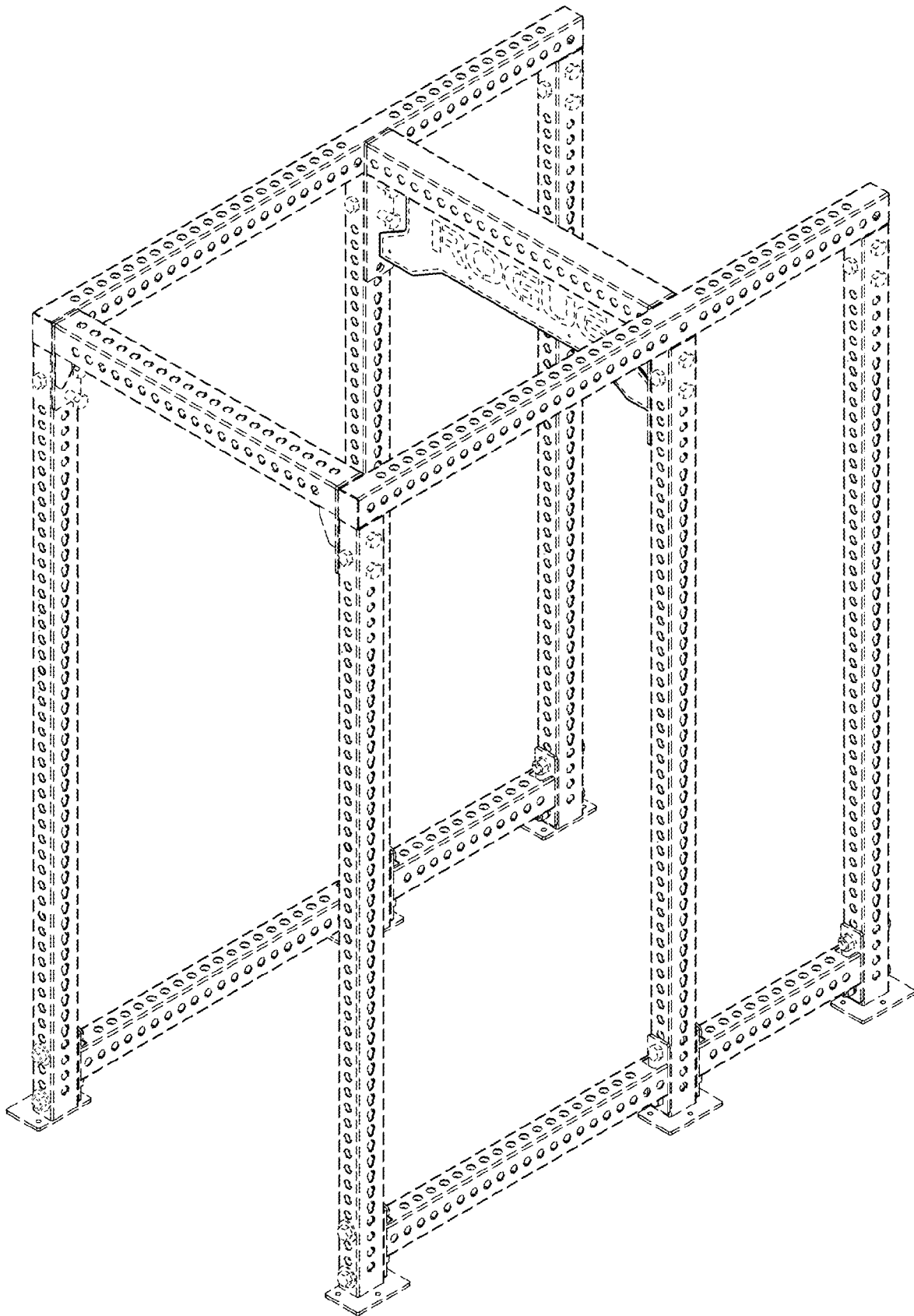


FIG. 1

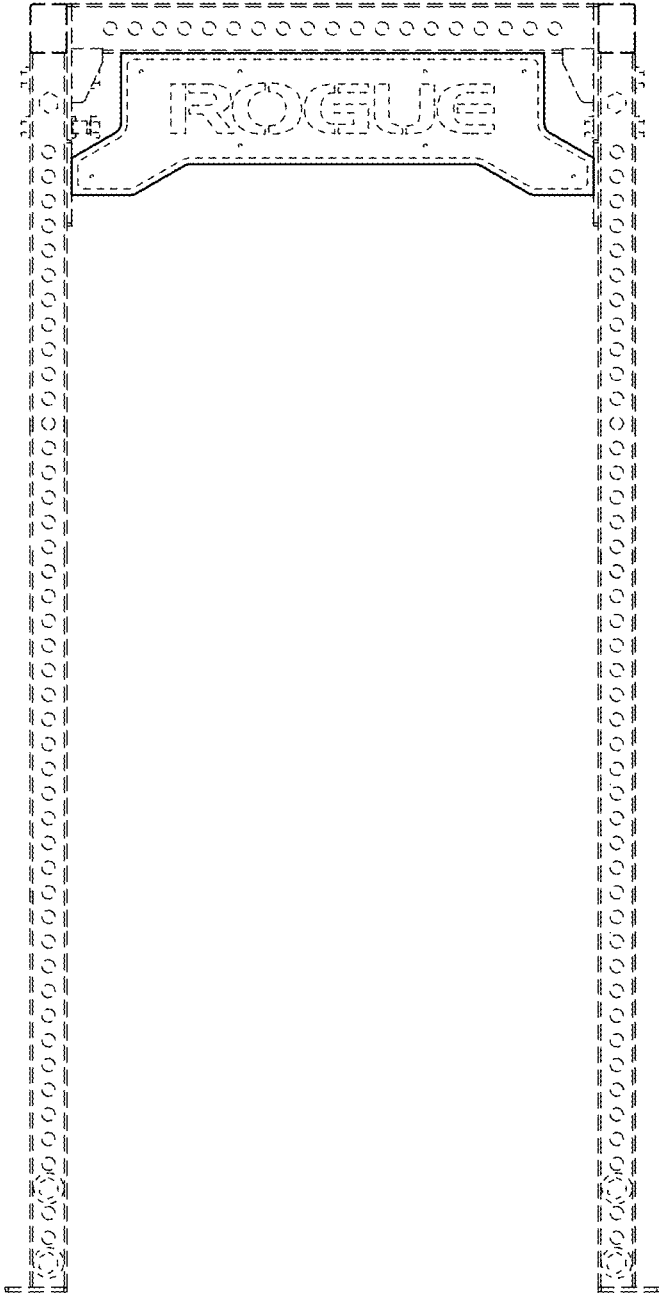


FIG. 2

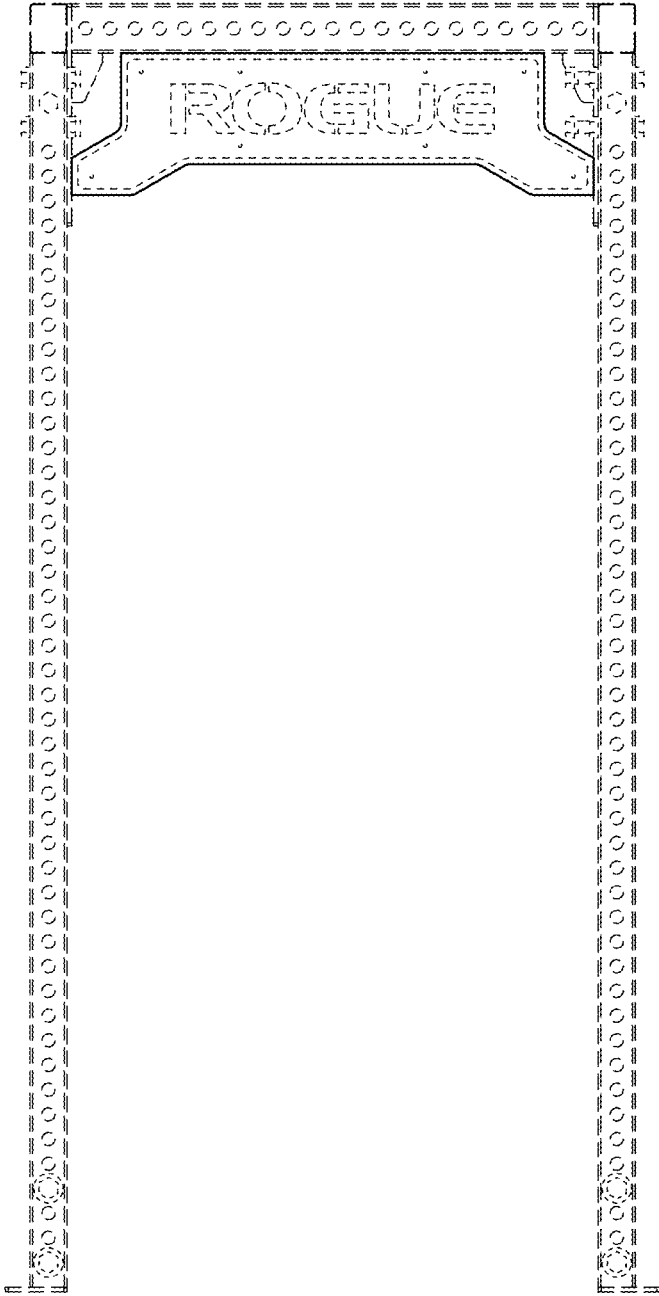


FIG. 3

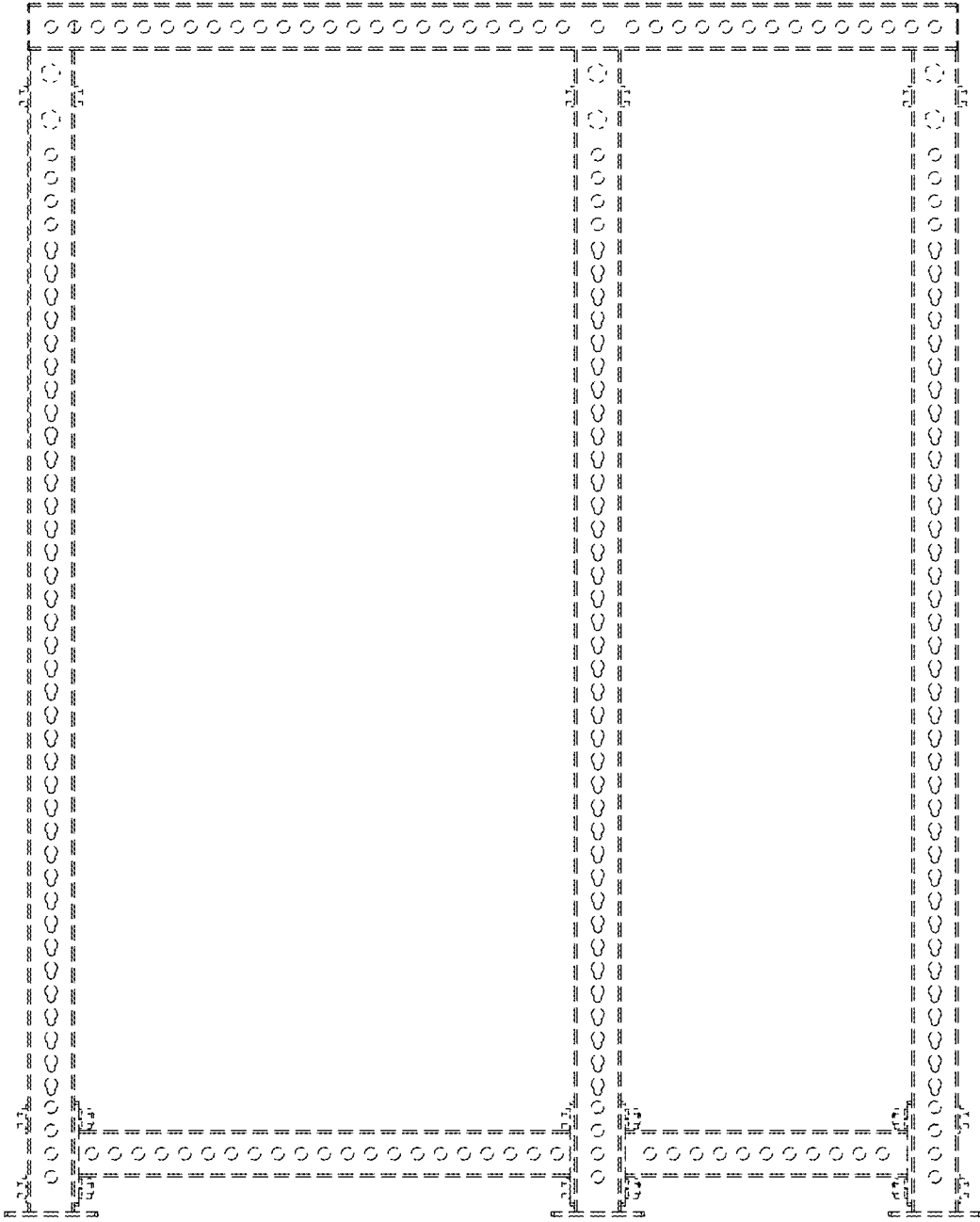


FIG. 4

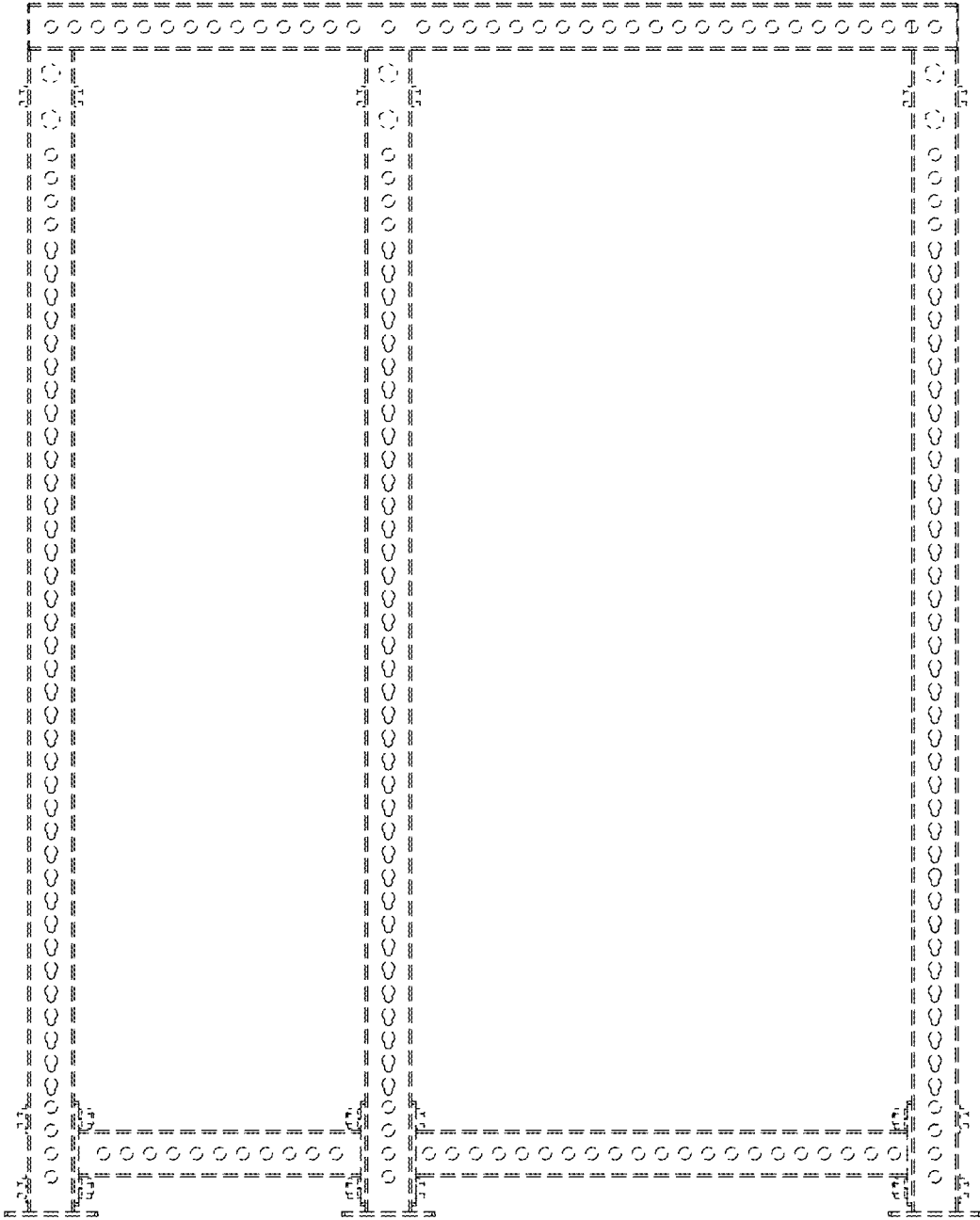


FIG. 5

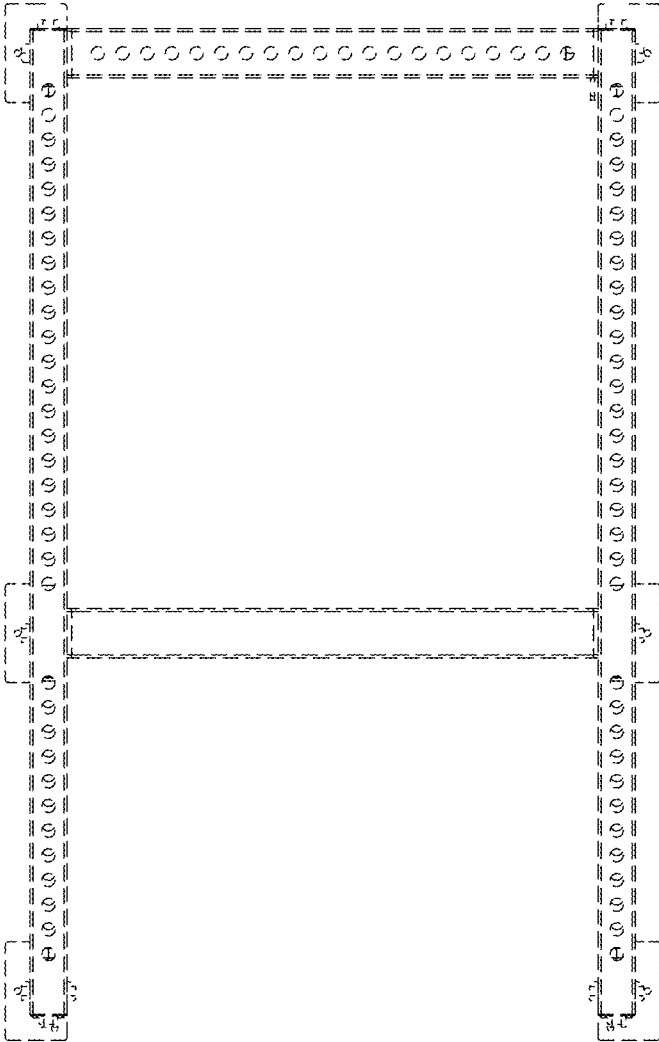


FIG. 6

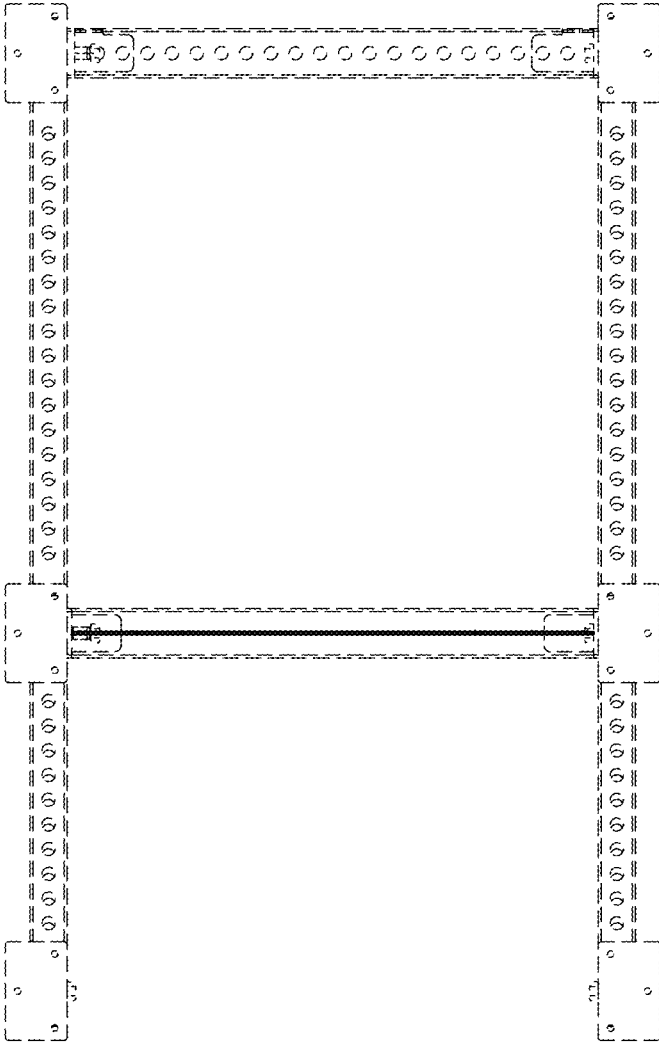


FIG. 7

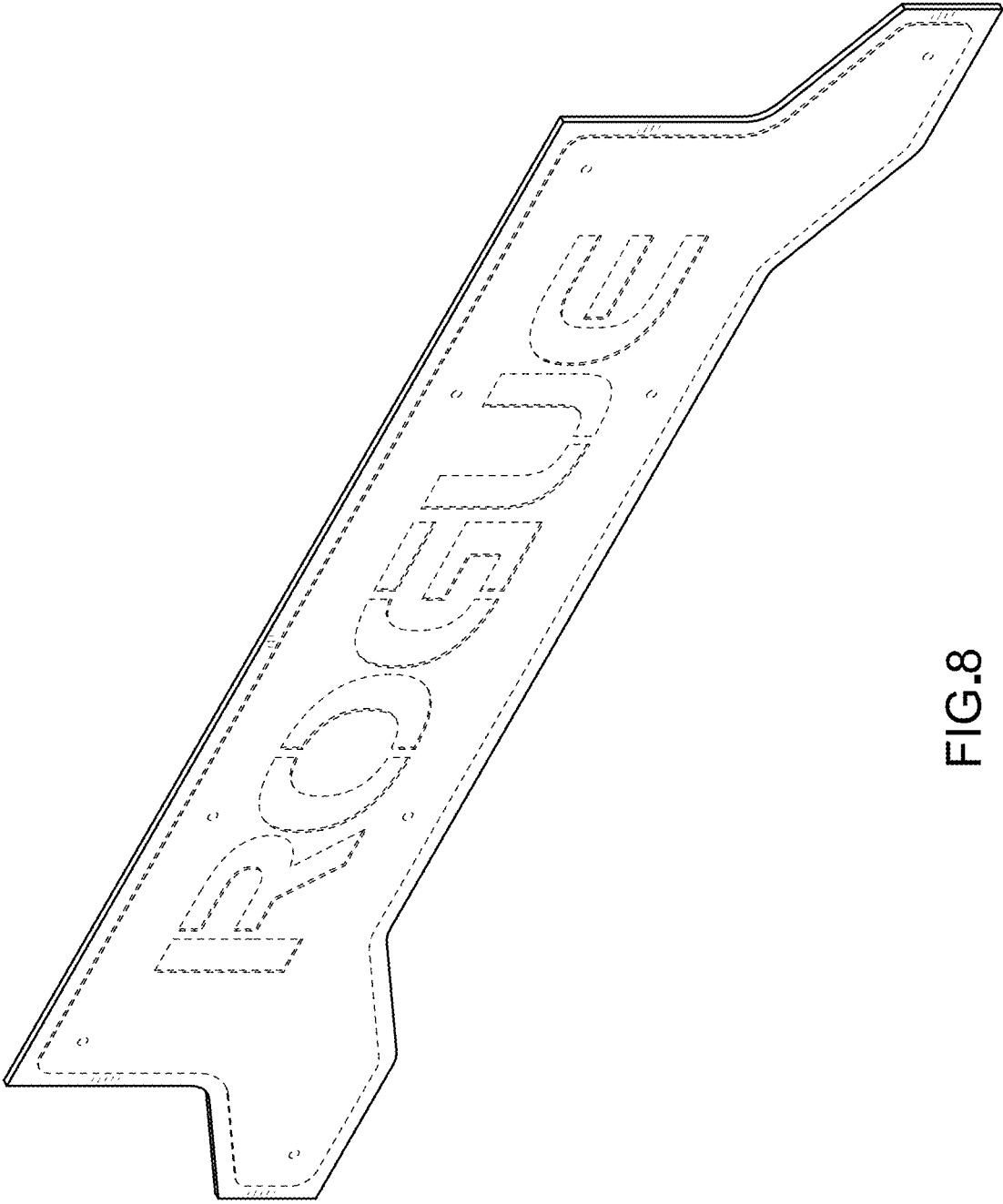


FIG.8

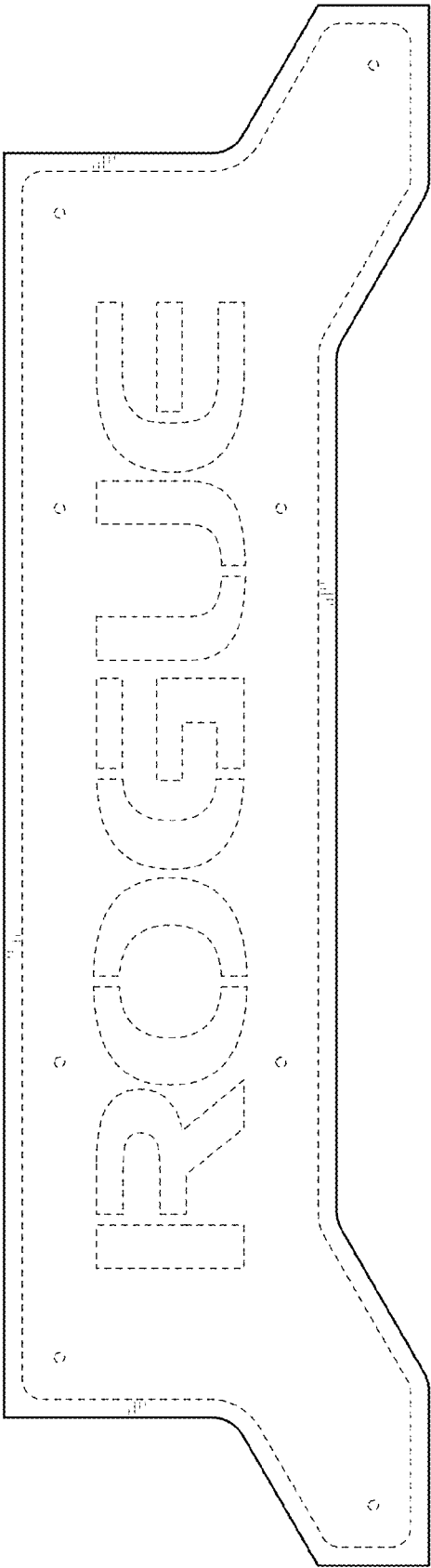


FIG.9

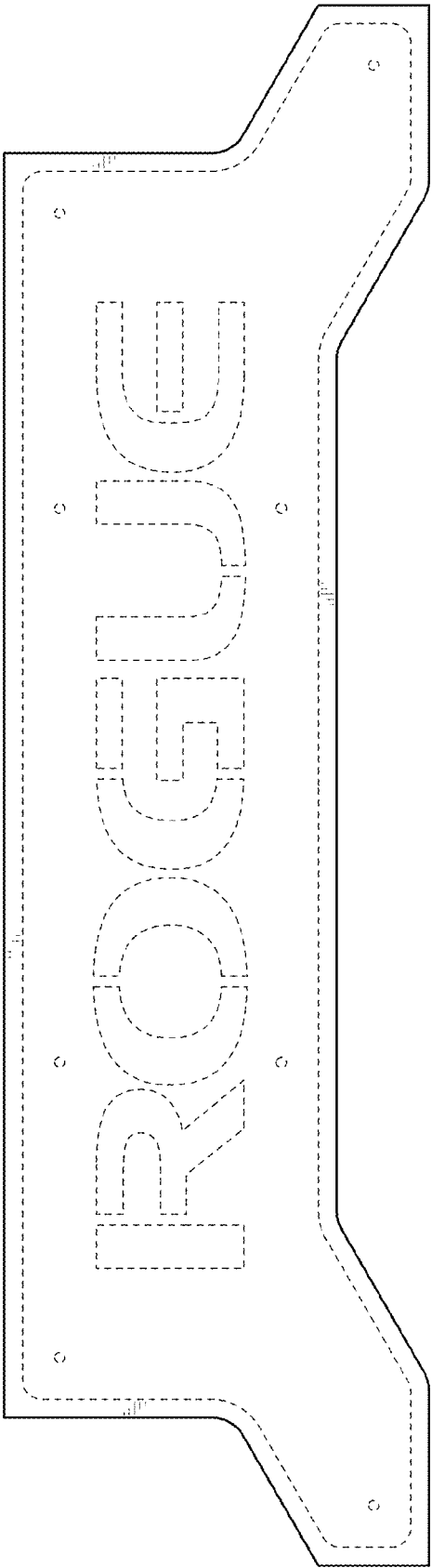


FIG.10



FIG. 11



FIG. 12

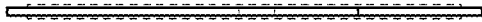


FIG. 13

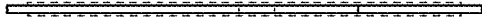


FIG. 14