

(19) World Intellectual Property Organization
International Bureau



(43) International Publication Date
6 September 2002 (06.09.2002)

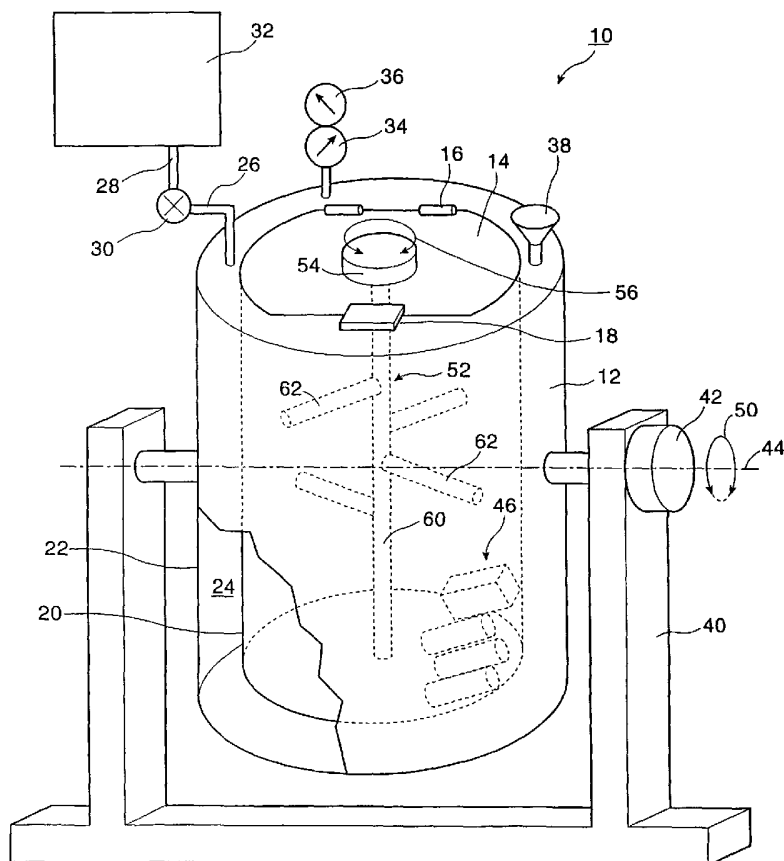
PCT

(10) International Publication Number
WO 02/067887 A3

- (51) International Patent Classification⁷: **A61K 7/48**
- (21) International Application Number: PCT/CA02/00234
- (22) International Filing Date: 26 February 2002 (26.02.2002)
- (25) Filing Language: English
- (26) Publication Language: English
- (30) Priority Data:
2,338,124 26 February 2001 (26.02.2001) CA
- (71) Applicant and
(72) Inventor: **DICIANNA, Valérie, Dumont** [CA/CA]; CMI
Cosmetic Manufacturers Inc., 665 Millway Avenue, Unit
#26, Concord, Ontario L4K 3T8 (CA).
- (74) Agents: **HEWSON, Donald, E.** et al.; Marks & Clerk,
350 Burnhamthorpe Road West, Suite 402, Mississauga,
Ontario L5B 3J1 (CA).
- (81) Designated States (*national*): AE, AG, AL, AM, AT, AU,
AZ, BA, BB, BG, BR, BY, BZ, CH, CN, CO, CR, CU, CZ,
DE, DK, DM, DZ, EC, EE, ES, FI, GB, GD, GE, GH, GM,
HR, HU, ID, IL, IN, IS, JP, KE, KG, KP, KR, KZ, LC, LK,
LR, LS, LT, LU, LV, MA, MD, MG, MK, MN, MW, MX,
MZ, NO, NZ, OM, PH, PL, PT, RO, RU, SD, SE, SG, SI,
SK, SL, TJ, TM, TN, TR, TT, TZ, UA, UG, US, UZ, VN,
YU, ZA, ZM, ZW.
- (84) Designated States (*regional*): ARIPO patent (GH, GM,
KE, LS, MW, MZ, SD, SL, SZ, TZ, UG, ZM, ZW),
Eurasian patent (AM, AZ, BY, KG, KZ, MD, RU, TJ, TM),
European patent (AT, BE, CH, CY, DE, DK, ES, FI, FR,
GB, GR, IE, IT, LU, MC, NL, PT, SE, TR), OAPI patent

[Continued on next page]

(54) Title: SELF-TANNING COMPOSITION IN SHEETED SUBSTRATE



(57) Abstract: A plurality of sheet-like substrates infused by an aqueous self-tanning position is enclosed in a dispensing enclosure, from which they may be removed one at a time. The self-tanning composition adheres to each substrate while in the container, and transfers from the substrate when applied to the skin of a user. The aqueous self-tanning composition comprises 45 % to 65 % by weight of aqueous extract of Japanese green tea, 5 % to 15 % dihydroxyacetone, 5 % to 25 % ethylethoxydyglycol, 3 % to 10 % PPG-12-Buteth-16, 1 % to 13 % of a humectant, 0.05 % to 0.5 % of minerals, and other trace constituents such as an exfoliator, moisturizer, colorant, anti-oxidant, tanning accelerator, preservative, and sunscreen. The substrates are infused by being placed in a vacuum chamber in which they can be agitated and tumbled, and the ingredients are added in a specific order at specific temperatures, with tumbling and agitation following each step for a specific period of time.

WO 02/067887 A3



(BF, BJ, CF, CG, CI, CM, GA, GN, GQ, GW, ML, MR, NE, SN, TD, TG).

(88) Date of publication of the international search report:
16 January 2003

Published:

- *with international search report*
- *before the expiration of the time limit for amending the claims and to be republished in the event of receipt of amendments*

For two-letter codes and other abbreviations, refer to the "Guidance Notes on Codes and Abbreviations" appearing at the beginning of each regular issue of the PCT Gazette.

INTERNATIONAL SEARCH REPORT

International Application No
PCT/CA 02/00234

A. CLASSIFICATION OF SUBJECT MATTER
IPC 7 A61K7/48

According to International Patent Classification (IPC) or to both national classification and IPC

B. FIELDS SEARCHED

Minimum documentation searched (classification system followed by classification symbols)
IPC 7 A61Q A61K

Documentation searched other than minimum documentation to the extent that such documents are included in the fields searched

Electronic data base consulted during the international search (name of data base and, where practical, search terms used)
EPO-Internal, WPI Data, PAJ, FSTA, INSPEC, COMPENDEX

C. DOCUMENTS CONSIDERED TO BE RELEVANT

Category °	Citation of document, with indication, where appropriate, of the relevant passages	Relevant to claim No.
Y	US 5 972 360 A (BRAUN DARIAN) 26 October 1999 (1999-10-26) column 1, line 40 -column 2, line 67 column 3, line 36 - line 45 example 1	1-16
Y	US 5 705 145 A (BEVACQUA ANDREW J ET AL) 6 January 1998 (1998-01-06) column 3, line 10 - line 45 column 4, line 56 -column 5, line 24 example 3	1-16
Y	WO 99 66897 A (BEIERSDORF AG ;MAX HEINER (DE); SCHOENROCK UWE (DE)) 29 December 1999 (1999-12-29) page 4, paragraph 2 -page 8, paragraph 3 page 12, paragraph 2 examples 1-18	1-16
	-/--	

Further documents are listed in the continuation of box C. Patent family members are listed in annex.

° Special categories of cited documents :

A document defining the general state of the art which is not considered to be of particular relevance	*T* later document published after the international filing date or priority date and not in conflict with the application but cited to understand the principle or theory underlying the invention
E earlier document but published on or after the international filing date	*X* document of particular relevance; the claimed invention cannot be considered novel or cannot be considered to involve an inventive step when the document is taken alone
L document which may throw doubts on priority claim(s) or which is cited to establish the publication date of another citation or other special reason (as specified)	*Y* document of particular relevance; the claimed invention cannot be considered to involve an inventive step when the document is combined with one or more other such documents, such combination being obvious to a person skilled in the art.
O document referring to an oral disclosure, use, exhibition or other means	* & * document member of the same patent family
P document published prior to the international filing date but later than the priority date claimed	

Date of the actual completion of the international search 24 October 2002	Date of mailing of the international search report 05/11/2002
--	--

Name and mailing address of the ISA European Patent Office, P.B. 5818 Patentlaan 2 NL - 2280 HV Rijswijk Tel. (+31-70) 340-2040, Tx. 31 651 epo nl, Fax: (+31-70) 340-3016	Authorized officer Menidjel, R
--	---------------------------------------

INTERNATIONAL SEARCH REPORT

International Application No
PCT/CA 02/00234

C.(Continuation) DOCUMENTS CONSIDERED TO BE RELEVANT

Category *	Citation of document, with indication, where appropriate, of the relevant passages	Relevant to claim No.
Y	US 5 306 486 A (MCCOOK JOHN P ET AL) 26 April 1994 (1994-04-26) column 2, line 4 - line 62 column 3, line 7 - line 61 column 4, line 18 -column 5, line 40 examples 1-8 -----	1-16

INTERNATIONAL SEARCH REPORT

Information on patent family members

International Application No

PCT/CA 02/00234

Patent document cited in search report	A	Publication date	Patent family member(s)	Publication date
US 5972360	A	26-10-1999	AU 5391199 A	27-03-2000
			GB 2344763 A , B	21-06-2000
			WO 0013655 A1	16-03-2000
US 5705145	A	06-01-1998	AU 710889 B2	30-09-1999
			AU 4078597 A	06-03-1998
			EP 0946158 A1	06-10-1999
			JP 2000516249 T	05-12-2000
			WO 9807416 A1	26-02-1998
			ZA 9707513 A	19-02-1998
WO 9966897	A	29-12-1999	DE 19827624 A1	23-12-1999
			WO 9966897 A1	29-12-1999
			EP 1089707 A1	11-04-2001
			US 6399046 B1	04-06-2002
US 5306486	A	26-04-1994	AU 6141994 A	26-09-1994
			WO 9420066 A1	15-09-1994
			ZA 9401172 A	21-08-1995