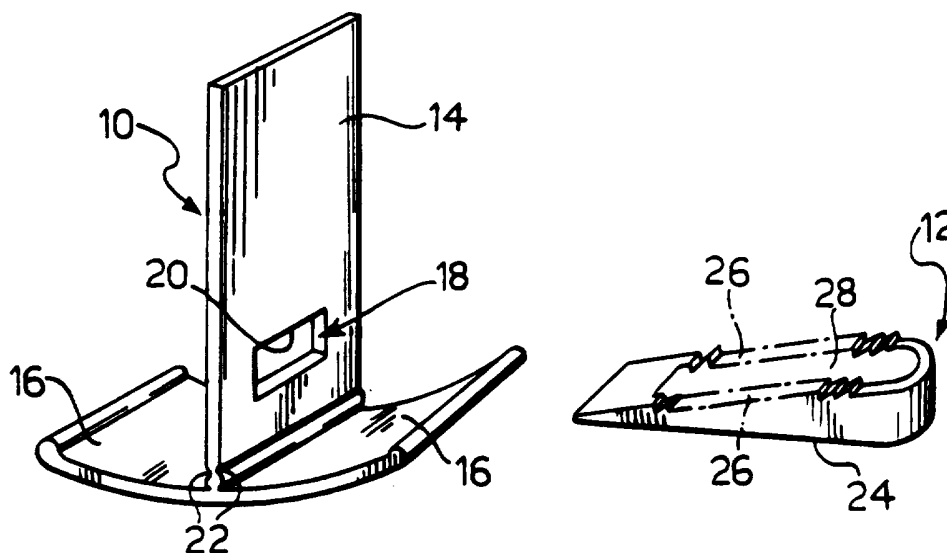




INTERNATIONAL APPLICATION PUBLISHED UNDER THE PATENT COOPERATION TREATY (PCT)

<p>(51) International Patent Classification ⁵ : E04F 21/20</p>	<p>A3</p>	<p>(11) International Publication Number: WO 92/14012 (43) International Publication Date: 20 August 1992 (20.08.92)</p>
<p>(21) International Application Number: PCT/EP92/00262 (22) International Filing Date: 6 February 1992 (06.02.92) (30) Priority data: TO91A000078 8 February 1991 (08.02.91) IT (71) Applicant (for all designated States except US): ACCORNERO, Guido [IT/IT]; Via Vincenzo Vela, 28a, I-10128 Torino (IT). (71)(72) Applicants and Inventors: MAROCCO, Giuseppe [IT/IT]; Via Ettore De Sonnaz, 21, I-10121 Torino (IT). ZALONZINI, Italo [IT/IT]; Via Lesna, 17, I-10142 Torino (IT). (74) Agents: SACONNEY, Piero et al.; Jacobacci-Casetta & Perani S.p.A., Via Alfieri, 17, I-10121 Torino (IT).</p>		<p>(81) Designated States: AT (European patent), BE (European patent), CH (European patent), DE (European patent), DK (European patent), ES (European patent), FR (European patent), GB (European patent), GR (European patent), IT (European patent), JP, LU (European patent), MC (European patent), NL (European patent), SE (European patent), US. Published <i>With international search report. Before the expiration of the time limit for amending the claims and to be republished in the event of the receipt of amendments.</i> (88) Date of publication of the international search report: 17 September 1992 (17.09.92)</p>

(54) Title: A DEVICE FOR LAYING RIGID FLOORING MODULES



(57) Abstract

The device comprises a disposable element (10) and a wedge (12) both preferably of a cheap plastics material. The disposable element (10) has a T-shaped cross-section with a central portion (14) and at least two opposite yielding arms (16). The wedge (12) can be inserted in the hole (18) and has a flat levelling surface (24). The disposable element (10) is intended to be placed with its arms (14) under two consecutive flooring modules and immersed in the adhesive (mortar or resin) for fixing the modules to a floor foundation, and with its central portion (14) extending above the upper faces of the modules through a gap. One edge (20) of the hole (18) is arranged so as to be above the upper faces of the modules. The wedge (12) can be inserted in the hole (18) between this edge (20) and the upper faces of the modules with its flat levelling surface (24) in engagement with the upper faces so as to clamp the two modules between the wedge and the yielding arms (16).

FOR THE PURPOSES OF INFORMATION ONLY

Codes used to identify States party to the PCT on the front pages of pamphlets publishing international applications under the PCT.

AT	Austria	ES	Spain	MG	Madagascar
AU	Australia	FI	Finland	ML	Mali
BB	Barbados	FR	France	MN	Mongolia
BE	Belgium	GA	Gabon	MR	Mauritania
BF	Burkina Faso	GB	United Kingdom	MW	Malawi
BG	Bulgaria	GN	Guinea	NL	Netherlands
BJ	Benin	GR	Greece	NO	Norway
BR	Brazil	HU	Hungary	PL	Poland
CA	Canada	IT	Italy	RO	Romania
CF	Central African Republic	JP	Japan	SD	Sudan
CG	Congo	KP	Democratic People's Republic of Korea	SE	Sweden
CH	Switzerland	KR	Republic of Korea	SN	Senegal
CI	Côte d'Ivoire	LI	Liechtenstein	SU ⁺	Soviet Union
CM	Cameroon	LK	Sri Lanka	TD	Chad
CS	Czechoslovakia	LU	Luxembourg	TC	Togo
DE*	Germany	MC	Monaco	US	United States of America
DK	Denmark				

+ Any designation of "SU" has effect in the Russian Federation. It is not yet known whether any such designation has effect in other States of the former Soviet Union.

INTERNATIONAL SEARCH REPORT

PCT/EP 92/00262

International Application No.

I. CLASSIFICATION OF SUBJECT MATTER (if several classification symbols apply, indicate all)⁶

According to International Patent Classification (IPC) or to both National Classification and IPC
Int.Cl. 5 E04F21/20

II. FIELDS SEARCHED

Minimum Documentation Searched⁷

Classification System	Classification Symbols
Int.Cl. 5	E04F ; E01C

Documentation Searched other than Minimum Documentation
to the Extent that such Documents are Included in the Fields Searched⁸

III. DOCUMENTS CONSIDERED TO BE RELEVANT⁹

Category ¹⁰	Citation of Document, ¹¹ with indication, where appropriate, of the relevant passages ¹²	Relevant to Claim No. ¹³
A	DE,B,1 277 541 (HEIL) 12 September 1968 see column 3, line 46 - column 6, line 29; figures 1-7 ---	1,6-8
A	US,A,4 112 636 (HAYS) 12 September 1978 see column 2, line 66 - column 6, line 49; figures 1-23 ---	1,6-8
A	CH,A,591 613 (SIMON) 30 September 1977 see column 1, line 64 - column 2, line 68; figures 1-3 ---	1,2,7

¹⁰ Special categories of cited documents:

- "A" document defining the general state of the art which is not considered to be of particular relevance
- "E" earlier document but published on or after the international filing date
- "L" document which may throw doubts on priority claim(s) or which is cited to establish the publication date of another citation or other special reason (as specified)
- "O" document referring to an oral disclosure, use, exhibition or other means
- "P" document published prior to the international filing date but later than the priority date claimed

"T" later document published after the international filing date or priority date and not in conflict with the application but cited to understand the principle or theory underlying the invention

"X" document of particular relevance; the claimed invention cannot be considered novel or cannot be considered to involve an inventive step

"Y" document of particular relevance; the claimed invention cannot be considered to involve an inventive step when the document is combined with one or more other such documents, such combination being obvious to a person skilled in the art.

"&" document member of the same patent family

IV. CERTIFICATION

Date of the Actual Completion of the International Search

29 JULY 1992

Date of Mailing of this International Search Report

05.08.92

International Searching Authority

EUROPEAN PATENT OFFICE

Signature of Authorized Officer

AYITER J.

**ANNEX TO THE INTERNATIONAL SEARCH REPORT
ON INTERNATIONAL PATENT APPLICATION NO. EP 9200262
SA 55863**

This annex lists the patent family members relating to the patent documents cited in the above-mentioned international search report. The members are as contained in the European Patent Office EDP file on The European Patent Office is in no way liable for these particulars which are merely given for the purpose of information. 29/07/92

Patent document cited in search report	Publication date	Patent family member(s)	Publication date
DE-B-1277541		None	
US-A-4112636	12-09-78	CA-A- 1049733	06-03-79
CH-A-591613	30-09-77	None	