



US00D565236S

(12) **United States Design Patent**
Russello et al.

(10) **Patent No.:** **US D565,236 S**

(45) **Date of Patent:** **** Mar. 25, 2008**

(54) **LUMINAIRE HOUSING**

(75) Inventors: **Thomas Russello**, Freehold, NJ (US);
Dylan Akinrele, Leonia, NJ (US)

(73) Assignee: **Genlyte Thomas Group, LLC**,
Louisville, KY (US)

(**) Term: **14 Years**

(21) Appl. No.: **29/247,816**

(22) Filed: **Jul. 13, 2006**

(51) **LOC (8) Cl.** **26-99**

(52) **U.S. Cl.** **D26/118**

(58) **Field of Classification Search** D26/37,
D26/68, 93, 138, 71, 118, 24, 67, 87, 85,
D26/129, 72, 128, 110, 142, 154, 153, 26,
D26/152, 149, 133; 362/405, 147, 410, 431
See application file for complete search history.

(56) **References Cited**

U.S. PATENT DOCUMENTS

1,215,894 A	2/1917	Yuyama	
D51,774 S	2/1918	Coppinger	
1,356,145 A	10/1920	Hawthorne	
D59,788 S *	11/1921	Schwartz et al. D26/128
1,486,745 A	3/1924	Haselton	
1,545,711 A	7/1925	Townsend	
1,639,753 A	8/1927	Shelton	
2,075,199 A	3/1937	Horner	
D104,401 S	5/1937	Kanter	
2,132,784 A	10/1938	Guth	
D114,805 S	5/1939	Brooks	
D115,417 S	6/1939	McCann	
D137,508 S	3/1944	Asay	
2,632,095 A	3/1953	Dove	
D172,522 S	6/1954	Stone	

2,732,484 A	1/1956	Lipscomb
D178,282 S	7/1956	Runtz
2,767,305 A	10/1956	Onksen et al.
2,853,599 A	9/1958	Kliegl
D190,385 S	5/1961	Schreckengost
D199,142 S	9/1964	Daum

(Continued)

Primary Examiner—Cathron Brooks

Assistant Examiner—Kevin K Rudzinski

(74) *Attorney, Agent, or Firm*—John F. Salazar; Middleton Reutlinger

(57) **CLAIM**

The ornamental design for a luminaire housing, as shown and described.

DESCRIPTION

FIG. 1 is a perspective view of the luminaire housing of the present invention;

FIG. 2 is a top view of the design of the present invention;

FIG. 3 is a front view of the design of the present invention;

FIG. 4 is a left side view of the design of the present invention;

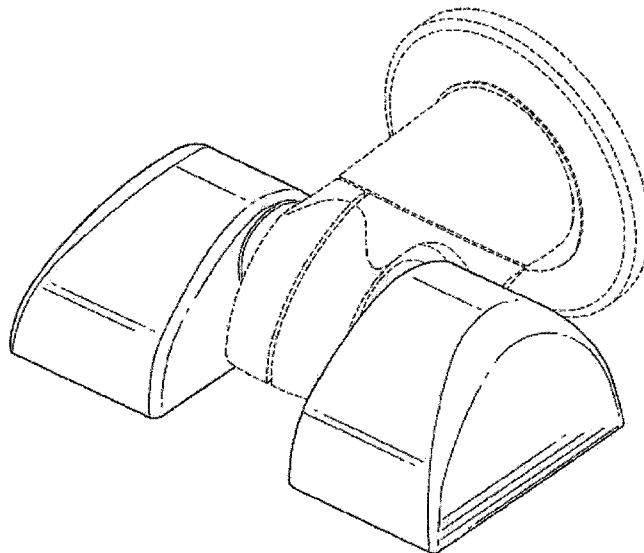
FIG. 5 is a right side view of the design of the present invention;

FIG. 6 is a bottom view of the design of the present invention; and,

FIG. 7 is a rear view of the design of the present invention.

The broken lines showing environmental structure are for illustrative purposes only and forms no part of the claimed design.

1 Claim, 7 Drawing Sheets



US D565,236 S

U.S. PATENT DOCUMENTS					
D199,144 S	9/1964	Daum	D352,124 S	11/1994	Russello et al.
D202,212 S	9/1965	Izzi	D352,126 S *	11/1994	Ruud et al. D26/67
D204,302 S *	4/1966	Pauli D26/24	5,377,087 A	12/1994	Yoon
D217,638 S	5/1970	Magi	D354,580 S	1/1995	Fouke et al.
D222,103 S	9/1971	Anderson	D355,044 S	1/1995	Russello et al.
3,610,915 A	10/1971	Moore	D357,761 S	4/1995	Dewinter
3,666,935 A	5/1972	Pritchett et al.	5,404,297 A	4/1995	Birk et al.
3,711,702 A	1/1973	Adra	D358,898 S	5/1995	Compton
3,755,665 A	8/1973	Grindle	D358,902 S	5/1995	Webster, III
D229,713 S	12/1973	Wince et al.	5,416,684 A	5/1995	Pearce
D231,406 S	4/1974	Biallo	D363,566 S *	10/1995	Osteen D26/67
3,895,227 A	7/1975	Murray et al.	D364,242 S	11/1995	Fiorato
3,919,542 A	11/1975	Castic	D370,228 S	5/1996	Chapman et al.
4,164,784 A	8/1979	Jaksich	5,584,574 A	12/1996	Haddad
4,288,846 A	9/1981	Fletcher et al.	D377,990 S	2/1997	Nakano
D262,914 S	2/1982	Kristofek	5,642,934 A	7/1997	Haddad
4,323,953 A	4/1982	Hutchison	D385,643 S	10/1997	Brohard et al.
D267,516 S	1/1983	Rambusch et al.	D390,999 S	2/1998	Gaskins et al.
D272,193 S	1/1984	Sangiama	D391,659 S	3/1998	Gaskins et al.
4,434,455 A	2/1984	Merritt	D393,733 S	4/1998	Gaskins et al.
4,447,863 A	5/1984	Fenne	D399,331 S	10/1998	Greene et al.
4,519,018 A	5/1985	Rowland	D399,332 S	10/1998	Greene et al.
4,602,320 A	7/1986	Tomkin et al.	D399,333 S	10/1998	Greene et al.
D286,206 S	10/1986	Joosten et al.	D400,286 S	10/1998	Greene et al.
D286,446 S	10/1986	Caroli et al.	D415,304 S	10/1999	Brown
4,695,930 A	9/1987	Wierzbicki et al.	5,971,571 A	10/1999	Rose
4,709,312 A	11/1987	Heinisch et al.	D418,626 S	1/2000	Herst et al.
D294,066 S	2/1988	Ewing et al.	D424,736 S	5/2000	Johnson
4,760,499 A	7/1988	Il	D429,362 S	8/2000	Landefeld
4,816,969 A	3/1989	Miller	D437,958 S	2/2001	Doron, Jr. et al.
D301,175 S	5/1989	Benjamin	D440,692 S	4/2001	Janos et al.
D302,326 S	7/1989	DiCola	D442,313 S	5/2001	Wojtkowiak et al.
D302,327 S	7/1989	DiCola	D444,258 S	6/2001	Bradford et al.
D302,328 S	7/1989	Fretz	D445,943 S	7/2001	Littman
D302,329 S	7/1989	Fretz et al.	D446,340 S	8/2001	Bradford et al.
D302,330 S	7/1989	Fretz	D447,590 S	9/2001	Raouf et al.
4,858,091 A	8/1989	Fouke	D456,551 S	4/2002	Russello et al.
D305,694 S	1/1990	Brown	D456,552 S	4/2002	Russello et al.
D309,956 S	8/1990	Sikora et al.	D456,553 S	4/2002	Russello et al.
D315,612 S	3/1991	Hughes et al.	D456,926 S	5/2002	Gaskins et al.
D316,457 S	4/1991	De'Armond	D456,927 S	5/2002	Russello et al.
D321,408 S	11/1991	Hughes et al.	D456,928 S	5/2002	Russello et al.
D323,897 S	2/1992	Compton	D456,929 S	5/2002	Russello et al.
5,086,379 A	2/1992	Denison et al.	D456,930 S	5/2002	Russello et al.
5,158,348 A	10/1992	Sakamoto et al.	D459,515 S	6/2002	Gaskins et al.
5,174,648 A	12/1992	Clary et al.	D459,519 S	6/2002	Russello et al.
D336,536 S	6/1993	Shaanan et al.	D460,575 S	7/2002	Tergny et al.
D336,964 S	6/1993	Janssen et al.	6,422,709 B1	7/2002	Panagiotou
D337,835 S	7/1993	Donato et al.	D465,048 S	10/2002	Gaskins et al.
D338,980 S	8/1993	Dieperink	D465,868 S	11/2002	Gaskins et al.
D343,245 S	1/1994	Fouke et al.	D467,030 S	12/2002	Gaskins et al.
D343,250 S	1/1994	Fouke et al.	D468,046 S *	12/2002	Bernard et al. D26/85
D343,251 S	1/1994	Fouke et al.	D468,051 S	12/2002	Gaskins et al.
5,278,737 A	1/1994	Luce et al.	D469,565 S	1/2003	Anderson et al.
D344,606 S	2/1994	Fouke et al.	D472,339 S	3/2003	Russello et al.
D345,432 S	3/1994	Gruber et al.	D482,487 S	11/2003	Russello et al.
D345,433 S	3/1994	Gruber et al.	D484,633 S *	12/2003	Campagna D26/72
D345,434 S	3/1994	Gruber et al.	D494,302 S *	8/2004	Huang D26/87
D346,874 S	5/1994	Fiorato	D494,701 S	8/2004	Campbell
D347,292 S	5/1994	Roos et al.	D500,569 S *	1/2005	Butler D26/71
D347,486 S	5/1994	Gruber et al.	D501,947 S *	2/2005	Haugaard et al. D26/71
D348,531 S	7/1994	Mehaffey et al.	D502,283 S *	2/2005	Haugaard et al. D26/71

* cited by examiner

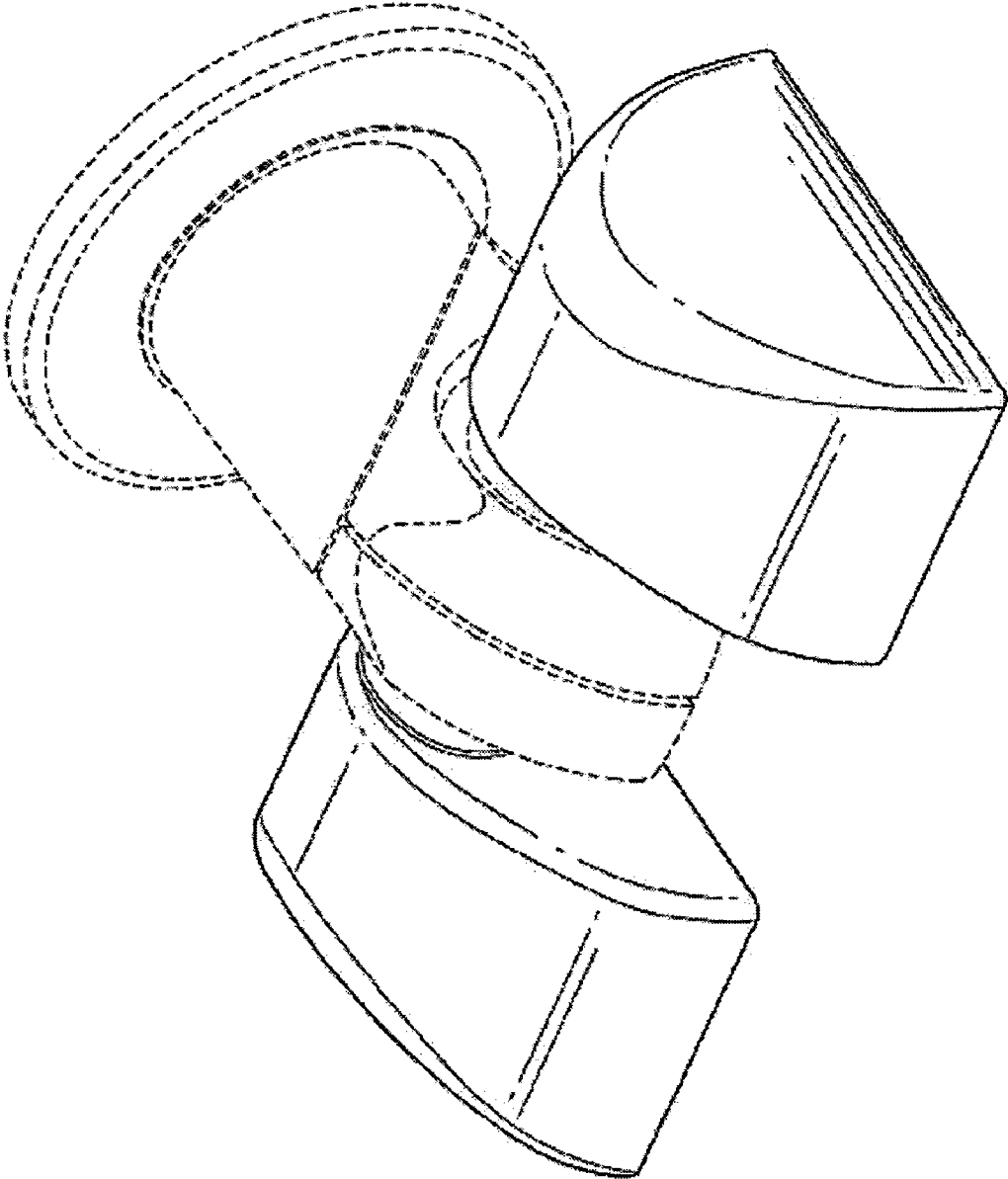


FIG. 1

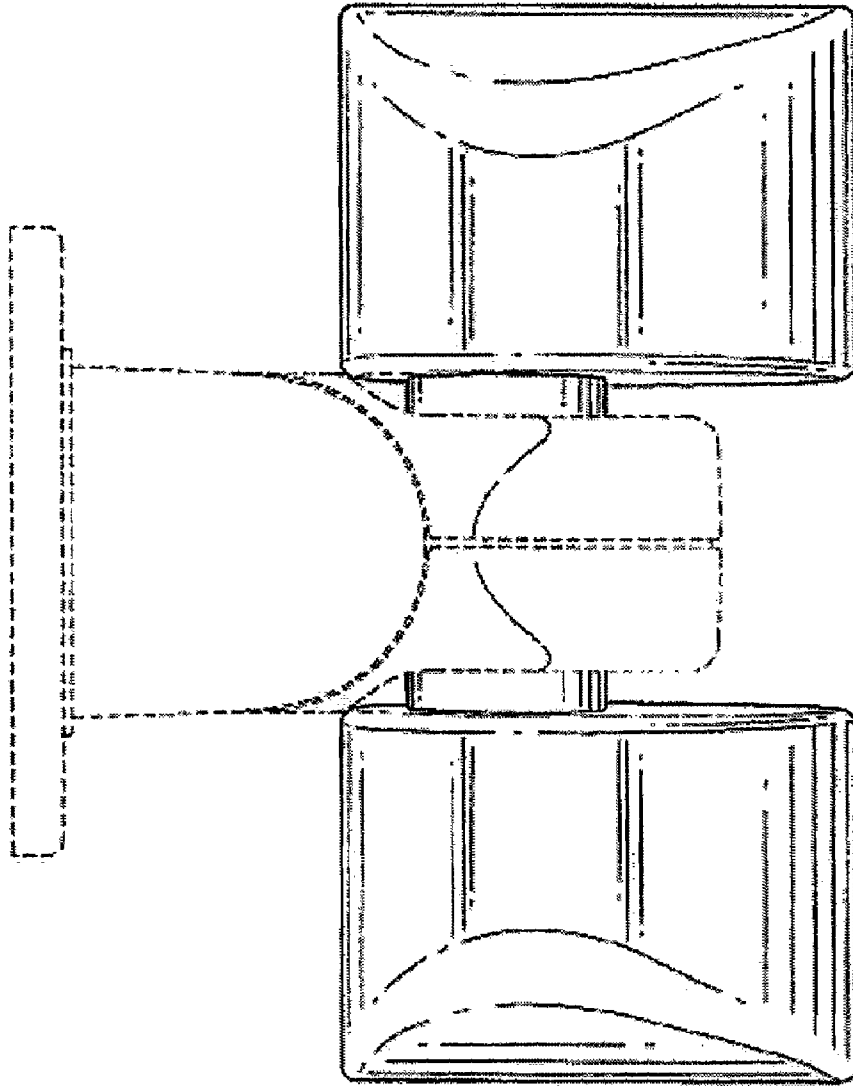


FIG. 2

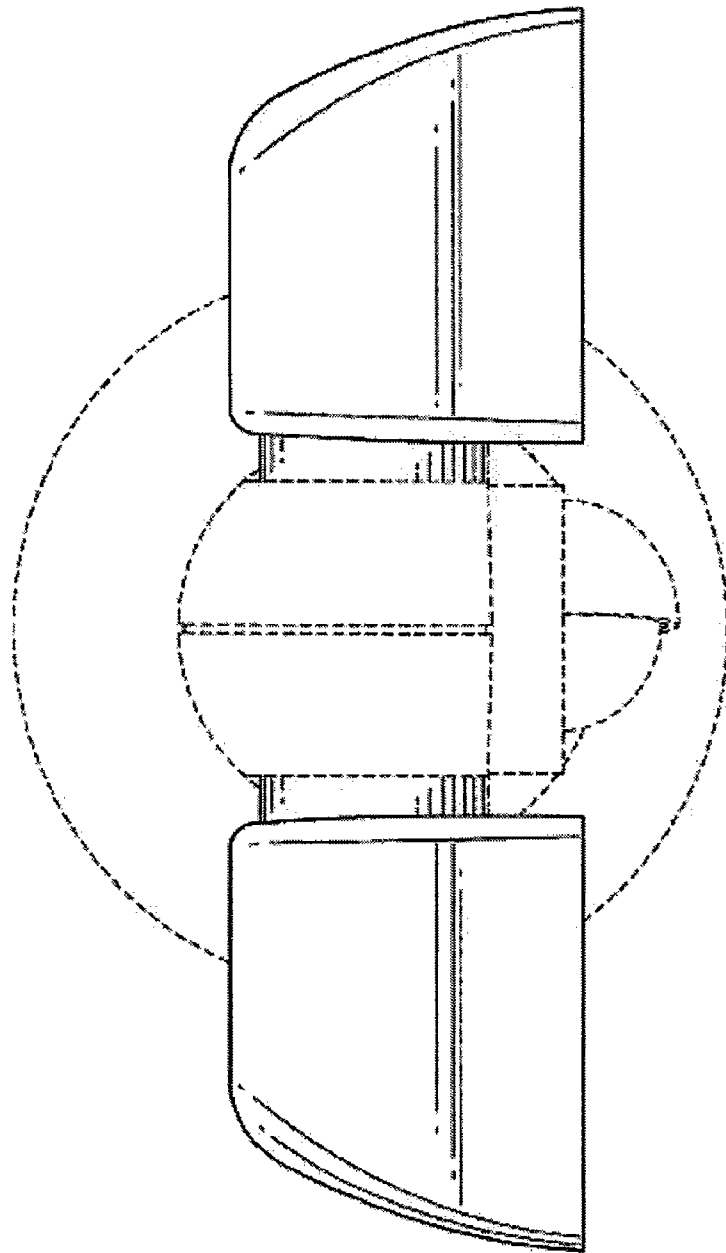


FIG. 3

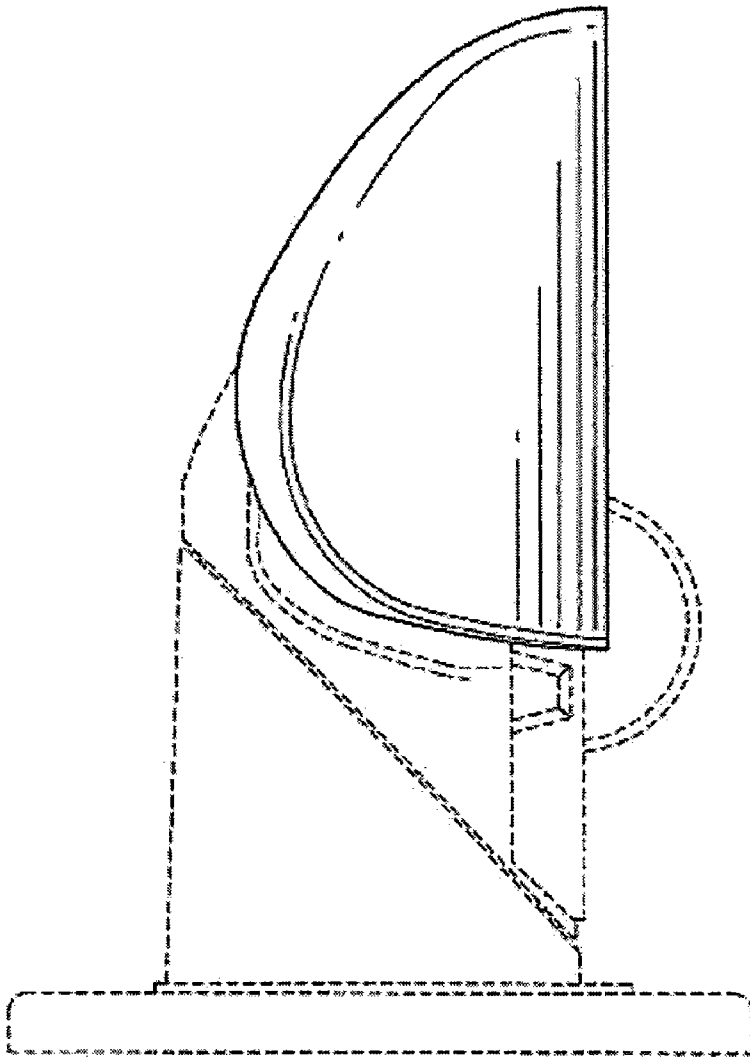


FIG.4

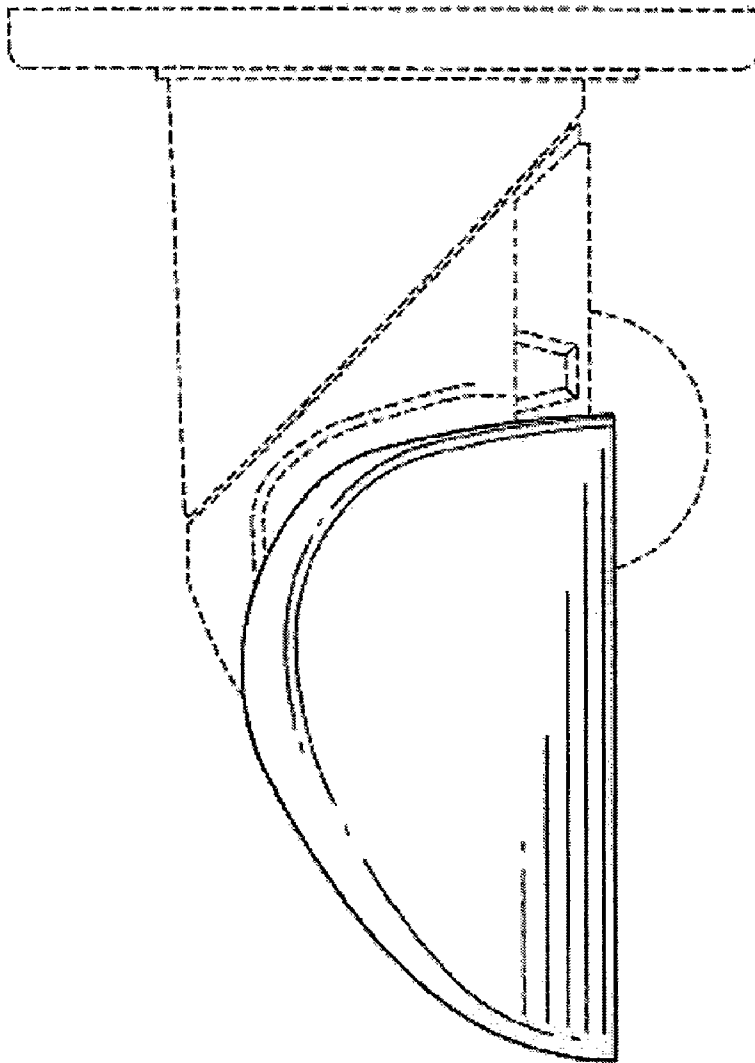


FIG. 5

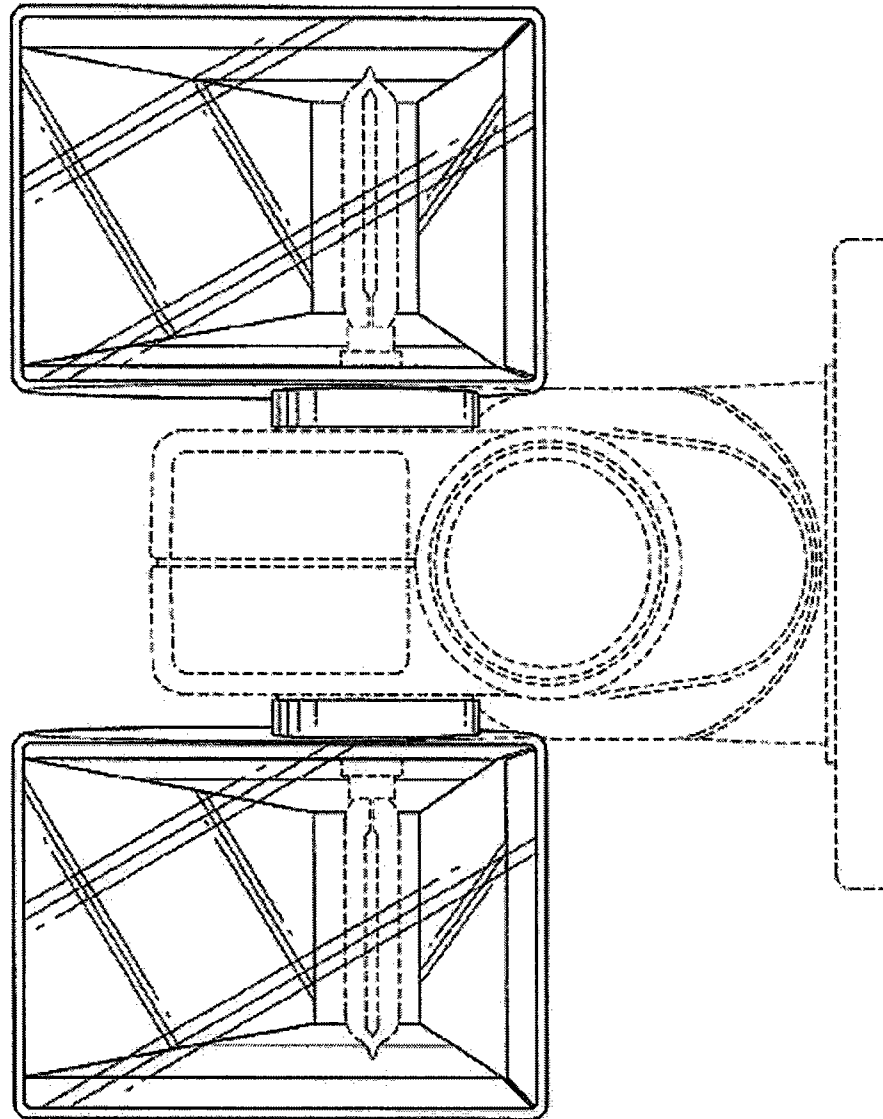


FIG. 6

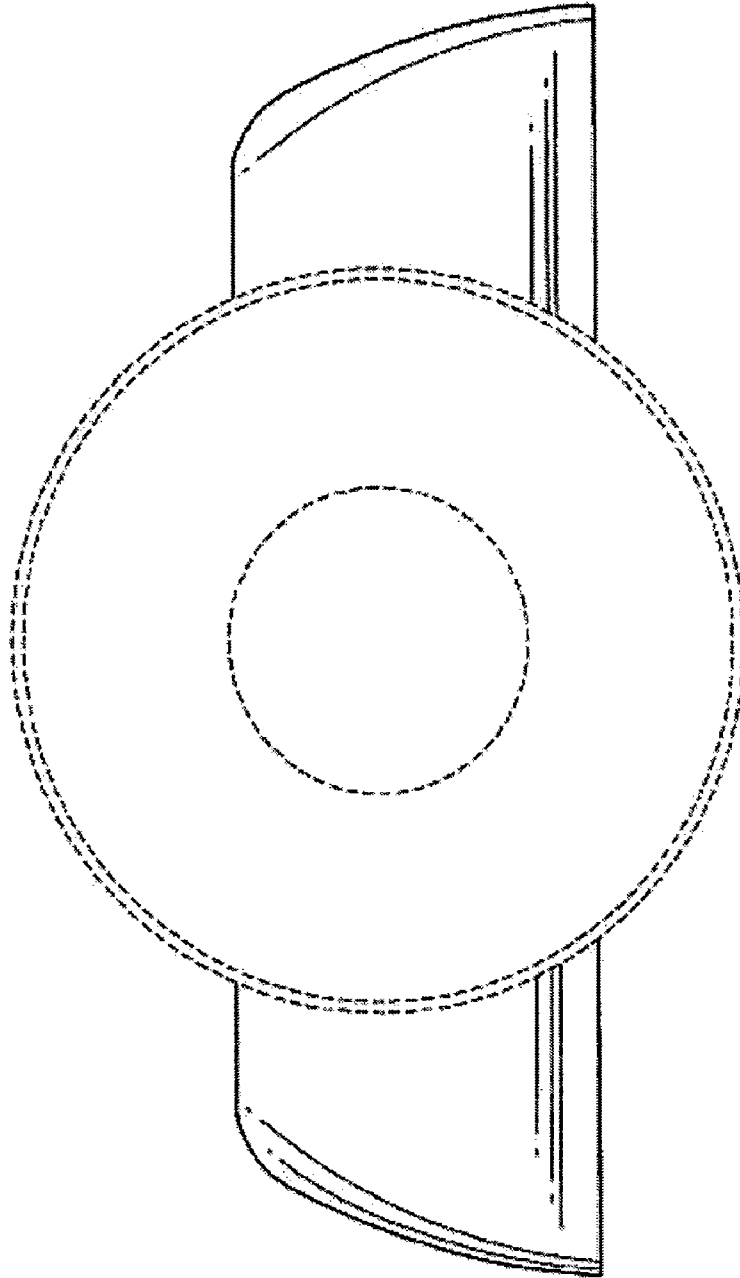


FIG. 7