



US00D605437S

(12) **United States Design Patent**  
**Hand**

(10) **Patent No.:** **US D605,437 S**

(45) **Date of Patent:** **\*\* Dec. 8, 2009**

(54) **CHEST AND CABINET**

(75) Inventor: **Jim Hand**, Glen Ellyn, IL (US)

(73) Assignee: **Waterloo Industries, Inc.**, Oak Creek, WI (US)

(\*\*) Term: **14 Years**

(21) Appl. No.: **29/281,662**

(22) Filed: **Jun. 28, 2007**

(51) **LOC (9) Cl.** ..... **06-06**

(52) **U.S. Cl.** ..... **D6/510**; D3/297; D3/318;  
D3/905; D6/445

(58) **Field of Classification Search** ..... D3/260,  
D3/272-275, 276, 283, 294-297, 318, 321-322,  
D3/903, 905; D6/335, 396-397, 400, 432-448,  
D6/491, 509-510; D14/133; D32/25; D34/12;  
206/349, 372-373, 376-379; 312/107, 117,  
312/125, 204, 209, 224, 249.1, 249.8, 249.11,  
312/249.12, 257.1, 280-282, 308, 332.1,  
312/351, 902; 361/695

See application file for complete search history.

(56) **References Cited**

**U.S. PATENT DOCUMENTS**

840,347	A	*	1/1907	Knapp	.....	312/224
D229,262	S	*	11/1973	Pearson	.....	D6/433
D328,742	S	*	8/1992	Kennedy	.....	D14/133
D356,703	S	*	3/1995	Dickinson	.....	D6/439
5,482,162	A	*	1/1996	Dickinson	.....	206/373
5,497,878	A	*	3/1996	Sandonato	.....	206/372
D423,817	S	*	5/2000	Holcomb et al.	.....	D6/445
D477,724	S	*	7/2003	Bishop	.....	D6/434
D554,864	S	*	11/2007	Hand	.....	D3/297
D563,103	S	*	3/2008	Hand et al.	.....	D3/297
D563,119	S	*	3/2008	Malley et al.	.....	D6/445
D563,120	S	*	3/2008	Malley et al.	.....	D6/445
D566,396	S	*	4/2008	Hand	.....	D3/297
D568,608	S	*	5/2008	Hand	.....	D3/297
D573,792	S	*	7/2008	Hand	.....	D3/297

D581,696	S	*	12/2008	Malley et al.	.....	D6/445
D586,132	S	*	2/2009	LiuHong et al.	.....	D6/335
D586,164	S	*	2/2009	Hand	.....	D6/510
D586,597	S	*	2/2009	Hand	.....	D6/510
D587,013	S	*	2/2009	Hand	.....	D3/318
D587,014	S	*	2/2009	Hand	.....	D3/318
D589,718	S	*	4/2009	Hand	.....	D6/400
2007/0228903	A1	*	10/2007	Liu	.....	312/280
2007/0274042	A1	*	11/2007	Jackson et al.	.....	361/695

\* cited by examiner

*Primary Examiner*—Caron Veynar

*Assistant Examiner*—Ricky Pham

(74) *Attorney, Agent, or Firm*—Calfee, Halter & Griswold LLP

(57) **CLAIM**

The ornamental design for a chest and cabinet, as shown and described.

**DESCRIPTION**

FIG. 1 is a perspective view of the new, original, and ornamental design for a chest and cabinet;

FIG. 2 is a front elevational view of the chest and cabinet of FIG. 1;

FIG. 3 is a rear elevational view of the chest and cabinet of FIG. 1;

FIG. 4 is a right side elevational view of the chest and cabinet of FIG. 1;

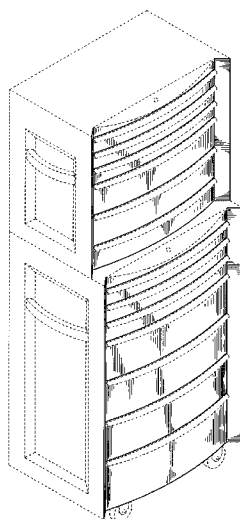
FIG. 5 is a left side elevational view of the chest and cabinet of FIG. 1;

FIG. 6 is a top plan view of the chest and cabinet of FIG. 1; and,

FIG. 7 is a bottom plan view of the chest and cabinet of FIG. 1.

The portions of the Figures shown in broken lines are not part of the claimed design and are for illustration only.

**1 Claim, 6 Drawing Sheets**



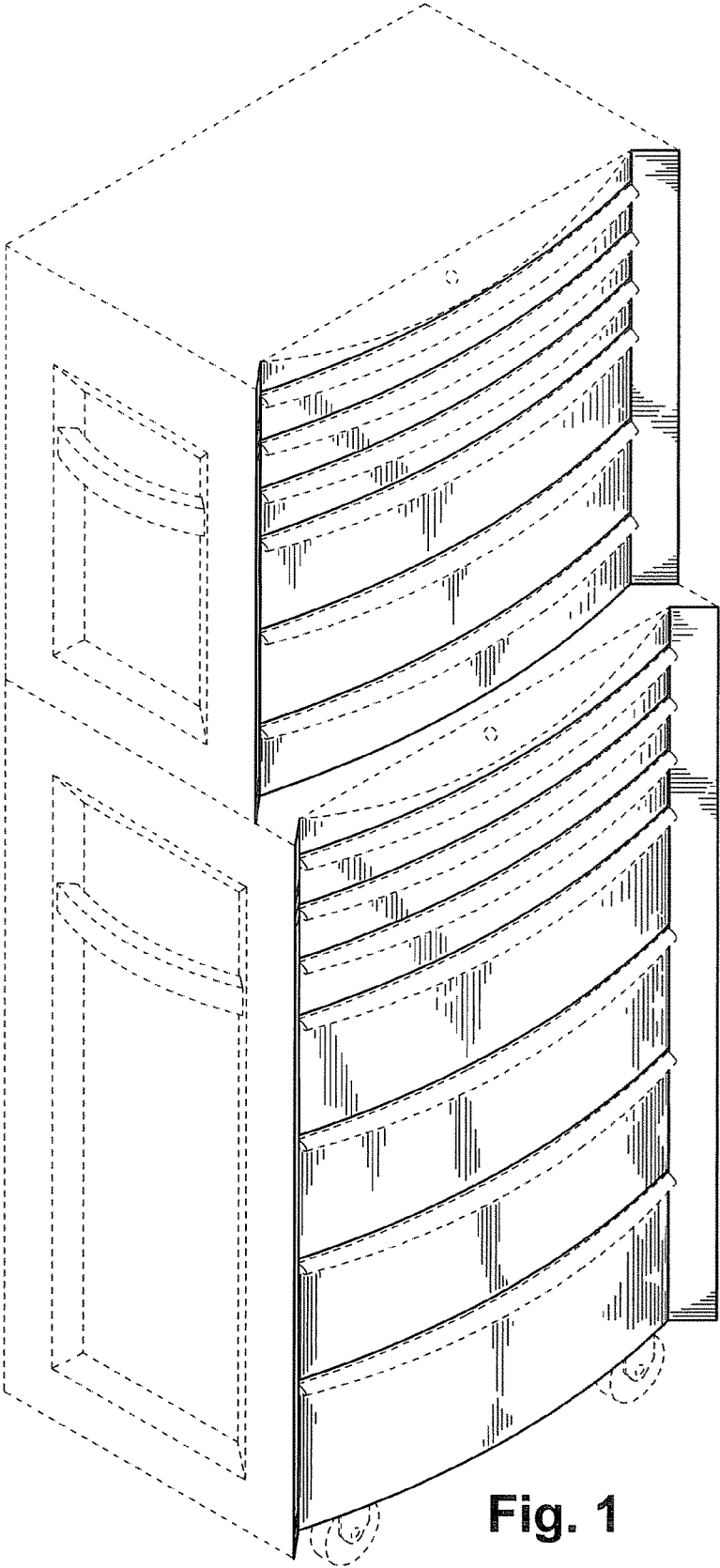


Fig. 1

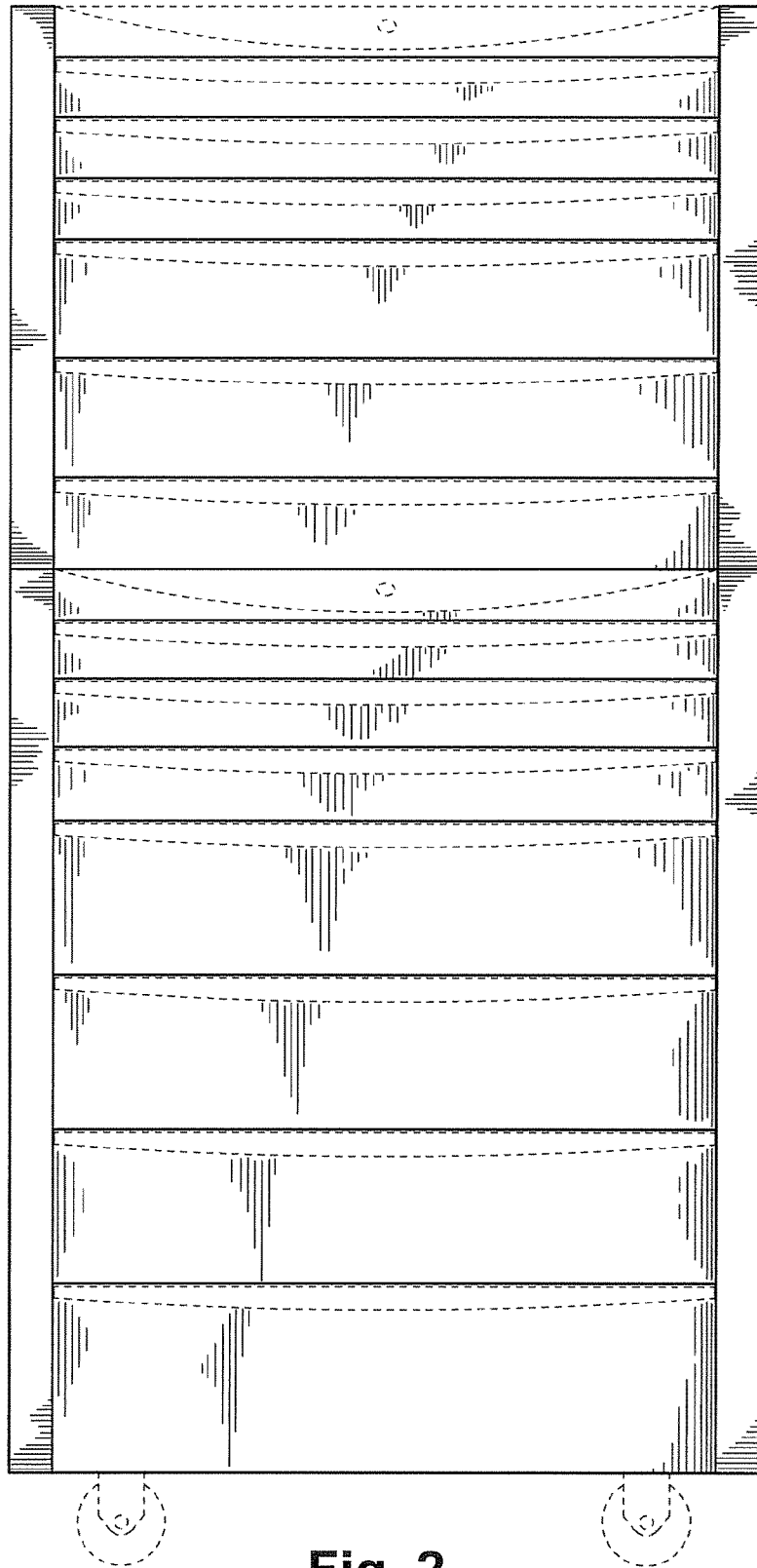


Fig. 2



**Fig. 3**

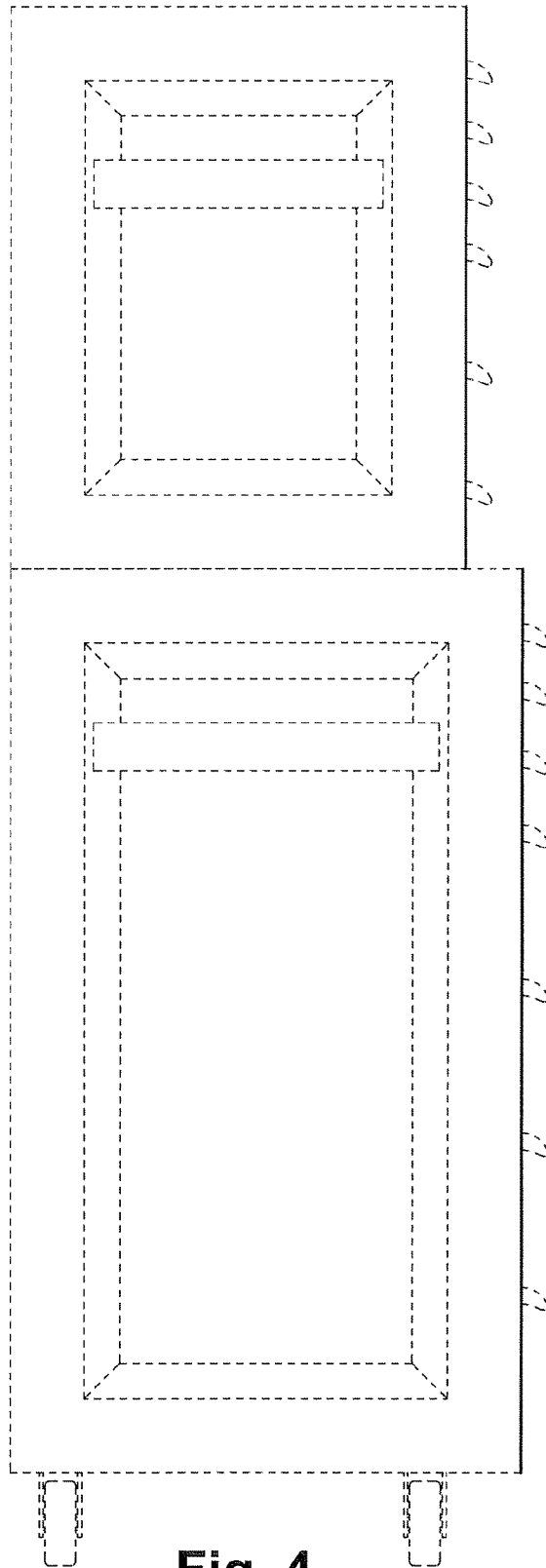


Fig. 4

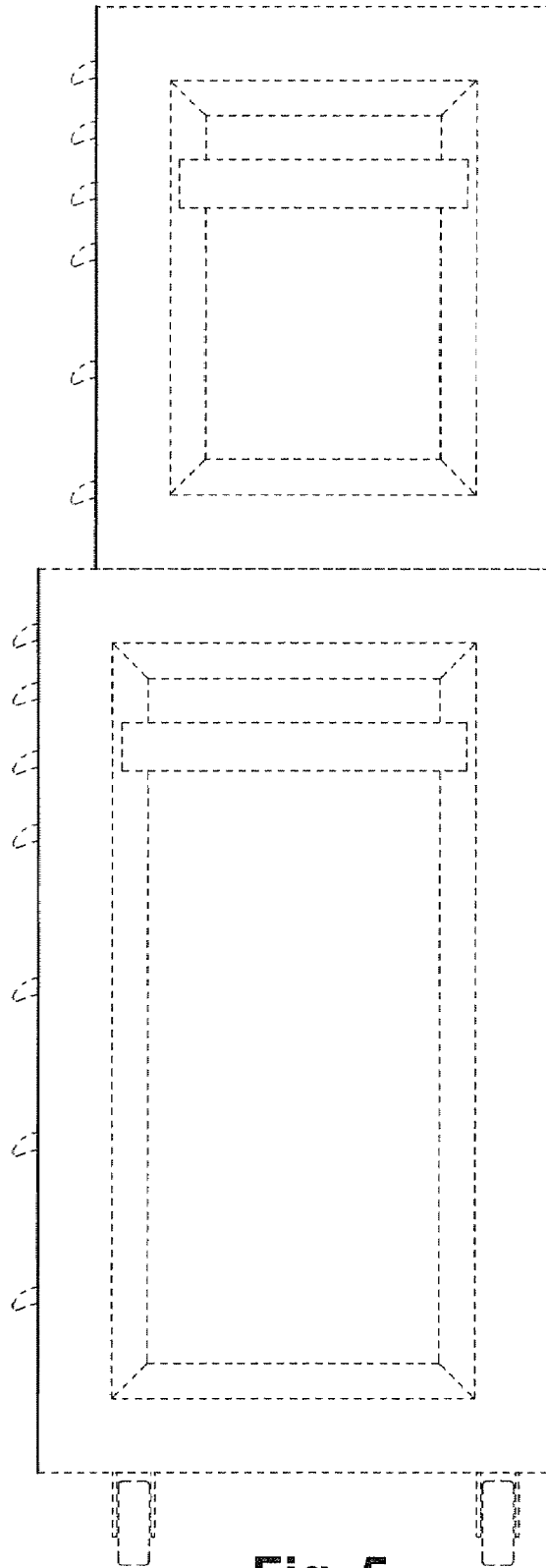


Fig. 5

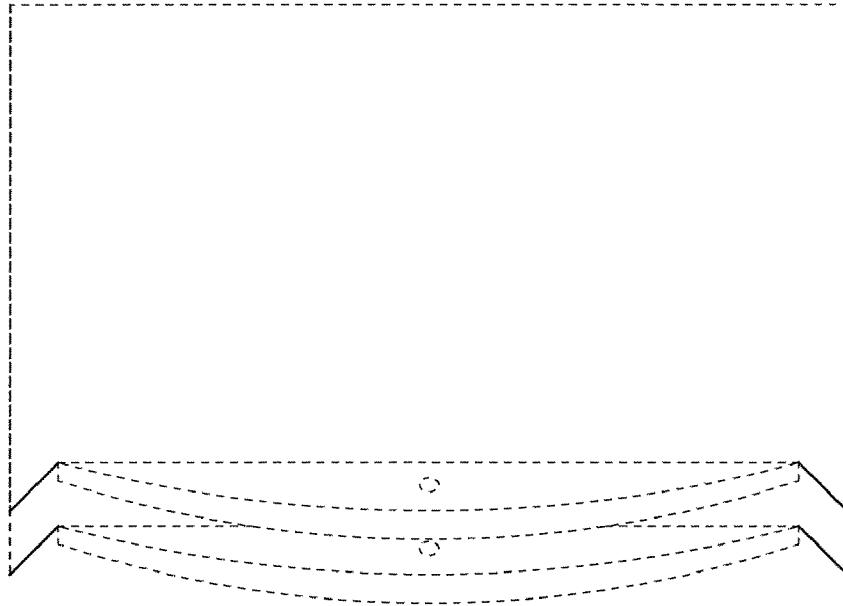


Fig. 6

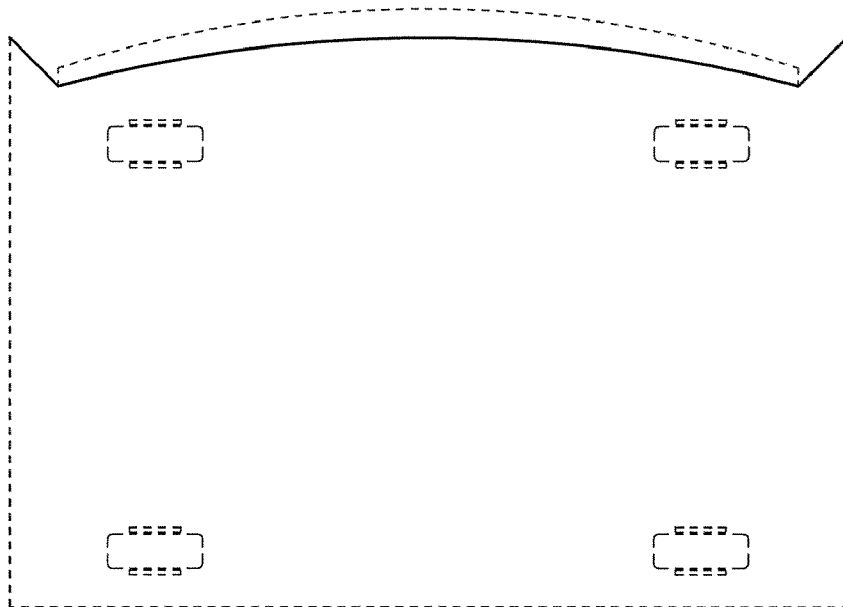


Fig. 7