



(12) **United States Design Patent**
Haddad et al.

(10) **Patent No.:** **US D886,290 S**
(45) **Date of Patent:** **** *Jun. 2, 2020**

(54) **INTRAVENOUS TUBING ARTERIAL LINE INDICATOR**

- (71) Applicant: **Star Luminal LLC**, San Antonio, TX (US)
- (72) Inventors: **Eric A. Haddad**, Boerne, TX (US);
Bryce G. Rutter, St. Louis, MO (US);
Tucker P. Brown, St. Louis, MO (US);
David J. Friedman, San Antonio, TX (US)
- (73) Assignee: **STAR LUMINAL LLC**, San Antonio, TX (US)

(*) Notice: This patent is subject to a terminal disclaimer.

(**) Term: **15 Years**

(21) Appl. No.: **29/672,379**

(22) Filed: **Dec. 5, 2018**

(51) **LOC (12) Cl.** **24-01**

(52) **U.S. Cl.**
USPC **D24/127; D20/28**

(58) **Field of Classification Search**
USPC D24/127-131, 112-114, 133, 186;
606/181, 185; 604/264, 523-528, 272,
604/187, 158, 164.01-164.11, 181, 184,
604/227; 600/101, 139, 143;
128/200.24, 207.14, 207.15; D8/396,
D8/356; D6/300, 674; D12/193;
D14/489, 490, 492, 495; D20/1-44, 99
CPC A61M 25/00; A61M 39/00; A61M 27/00;
A61M 25/0043; A61M 5/0067; A61M
25/0097; A61M 5/14; A61M 5/1411;
A61M 2205/60; A61M 2205/6063; A61M
2205/6072; A61M 2205/6081; A61F
2/958; A62C 13/78; A47K 10/14; A47G
25/0657

See application file for complete search history.

(56) **References Cited**

U.S. PATENT DOCUMENTS

D386,211	S	*	11/1997	Taparauskas, Jr.	D20/22
D436,881	S	*	1/2001	Sloven	D10/114.1
D438,134	S	*	2/2001	Sloven	D10/109.1
6,613,012	B2		9/2003	Kraushaar		
D556,606	S	*	12/2007	Stauffer	D10/15
7,338,476	B2		3/2008	Kraushaar		
7,374,318	B2		5/2008	Brooks et al.		
7,455,662	B2		11/2008	Kraushaar		
D636,819	S	*	4/2011	Walker	D20/28
D638,664	S	*	5/2011	Mayer	D7/624.1
D660,367	S	*	5/2012	Podd	D20/42
D665,030	S	*	8/2012	Podd	D20/42
D791,242	S	*	7/2017	Lemberger	D20/41

(Continued)

Primary Examiner — Nathan M Johnston
(74) *Attorney, Agent, or Firm* — Joseph Agostino;
Greenberg Traurig, LLP

(57) **CLAIM**

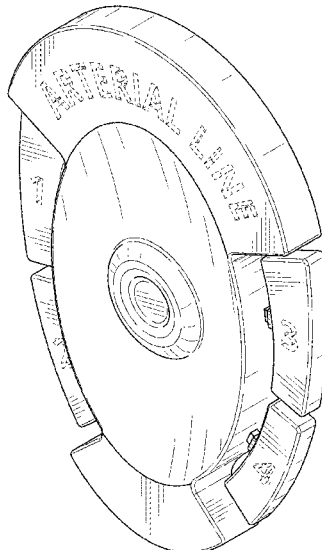
The ornamental design for an intravenous tubing arterial line indicator, as shown and described.

DESCRIPTION

FIG. 1 is a top perspective view of an intravenous tubing arterial line indicator for arterial line indicator showing our new design; FIG. 2 is a front elevation view thereof; FIG. 3 is a rear elevation view thereof; FIG. 4 is a right side elevation view thereof; FIG. 5 is a left side elevation view thereof; FIG. 6 is top plan view thereof; and, FIG. 7 is a bottom plan view thereof.

The dashed lines immediately adjacent the shaded areas in the figures represent the boundaries of the claimed design. The dashed lines in the figures illustrate the portions of the design that form no part of the claimed design. None of the broken lines form any part of the claimed design.

1 Claim, 5 Drawing Sheets



(56)

References Cited

U.S. PATENT DOCUMENTS

D791,878	S *	7/2017	Loew	D20/41
D803,943	S *	11/2017	Loew	D20/41
9,833,560	B2	12/2017	Reichert et al.	
9,919,095	B2	3/2018	Reichert et al.	
9,925,329	B2	3/2018	Reichert et al.	
D842,382	S *	3/2019	Loew	D20/41
D849,053	S *	5/2019	Niven	D14/492
2002/0058928	A1	5/2002	Antonio, II	
2005/0171492	A1	8/2005	Rodriguez	

* cited by examiner

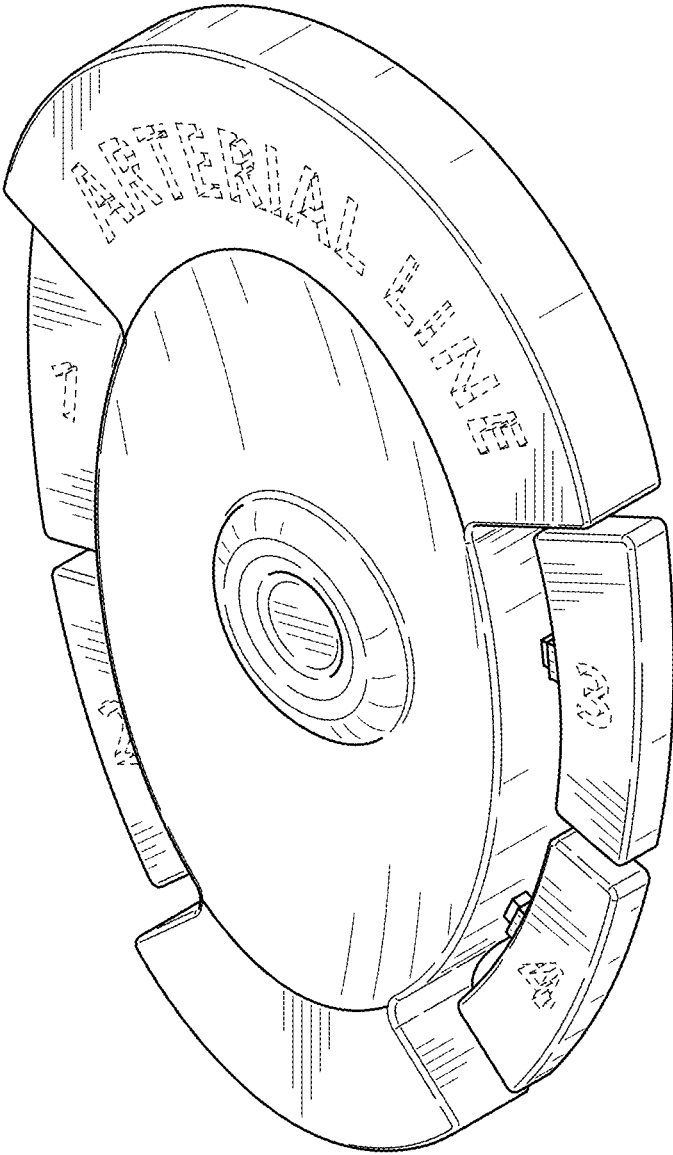


FIG. 1

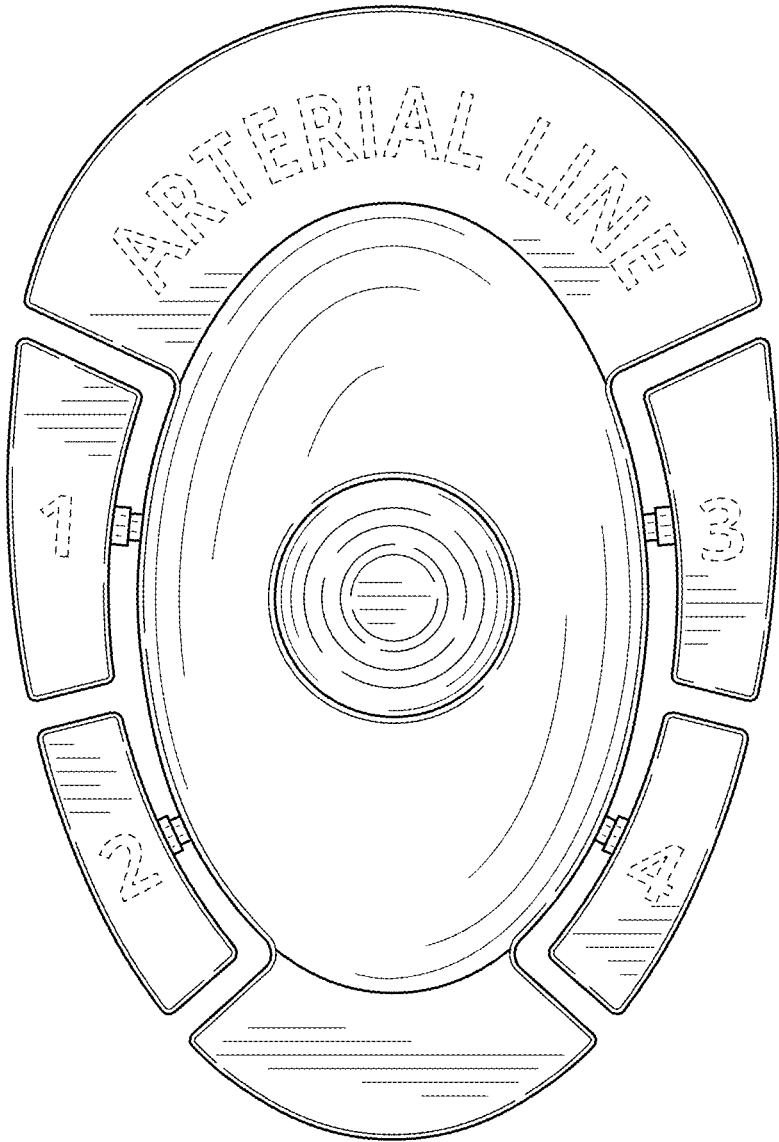


FIG. 2

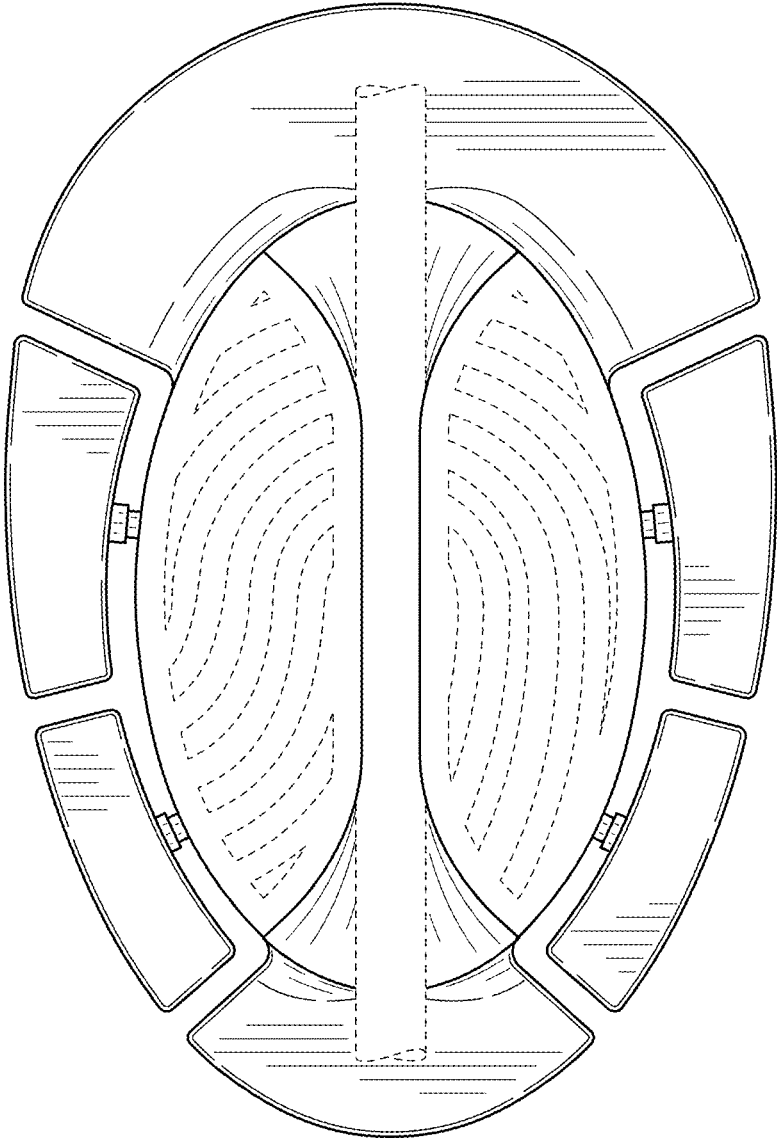


FIG. 3

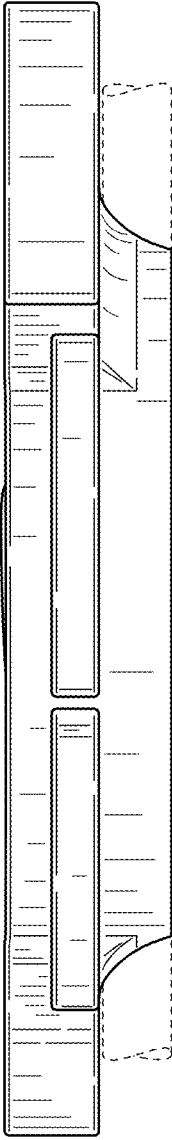


FIG. 4

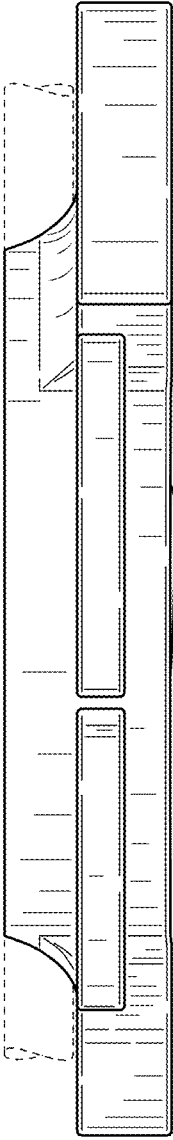


FIG. 5

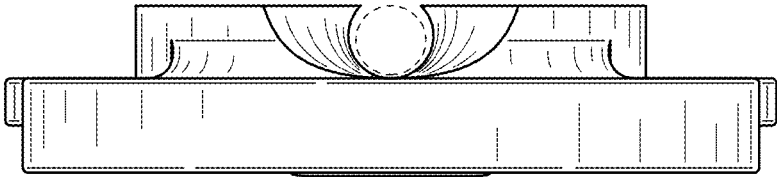


FIG. 6

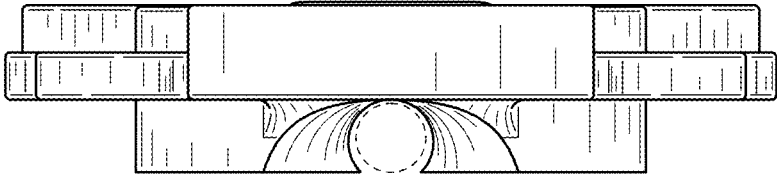


FIG. 7