



US00D755405S

(12) **United States Design Patent**  
**Zhu**

(10) **Patent No.:** **US D755,405 S**

(45) **Date of Patent:** **\*\* May 3, 2016**

- (54) **ENCLOSURE COVER FOR A DIAGNOSTIC ANALYZER**
  - (71) Applicant: **Siemens Healthcare Diagnostics Inc.**,  
Tarrytown, NY (US)
  - (72) Inventor: **Eric Zhu**, Forest Hills, NY (US)
  - (73) Assignee: **Siemens Healthcare Diagnostics Inc.**,  
Tarrytown, NY (US)
  - (\*\*) Term: **14 Years**
  - (21) Appl. No.: **29/518,211**
  - (22) Filed: **Feb. 20, 2015**
  - (51) **LOC (10) Cl.** ..... **24-01**
  - (52) **U.S. Cl.**  
USPC ..... **D24/216; D10/81**
  - (58) **Field of Classification Search**  
USPC ..... D10/81; D24/216, 219, 220, 234, 233  
CPC ... G01N 35/02; G01N 35/021; G01N 35/025;  
G01N 35/026; G01N 35/028; G01N 35/04;  
G01N 35/08; G01N 35/085; G01N 2035/023;  
G01N 2035/0401; G01N 2035/0403; G01N  
2035/0405; G01N 2035/0406; G01N  
2035/0408; G01N 2035/041
- See application file for complete search history.

6,285,452	B1 *	9/2001	Baker	.....	G01J 3/50
					250/226
6,444,170	B1 *	9/2002	Heid	.....	G01N 1/312
					118/423
6,951,545	B2 *	10/2005	Smith	.....	A61B 10/0051
					600/573
7,118,659	B2 *	10/2006	Kurt	.....	G01N 27/44743
					204/451
D662,431	S *	6/2012	Kimura	.....	D10/81
D676,976	S *	2/2013	Walsh	.....	D24/216
D707,844	S *	6/2014	Hilbey	.....	D24/216
8,932,543	B2 *	1/2015	Bui	.....	B01L 3/502715
					422/509
D724,753	S *	3/2015	Gutmann	.....	D24/216
9,000,360	B2 *	4/2015	DeWitte	.....	G01N 30/06
					250/281
9,050,598	B2 *	6/2015	Tsukioka	.....	B01L 9/543
D740,955	S *	10/2015	Gutmann	.....	D24/216
D744,880	S *	12/2015	Smith	.....	D10/81
D747,227	S *	1/2016	Fujiwara	.....	D10/81

\* cited by examiner

*Primary Examiner* — Antoine D Davis

(74) *Attorney, Agent, or Firm* — Virtual Ink, Ltd.

(57) **CLAIM**

The ornamental design for an enclosure cover for a diagnostic analyzer, as shown and described.

**DESCRIPTION**

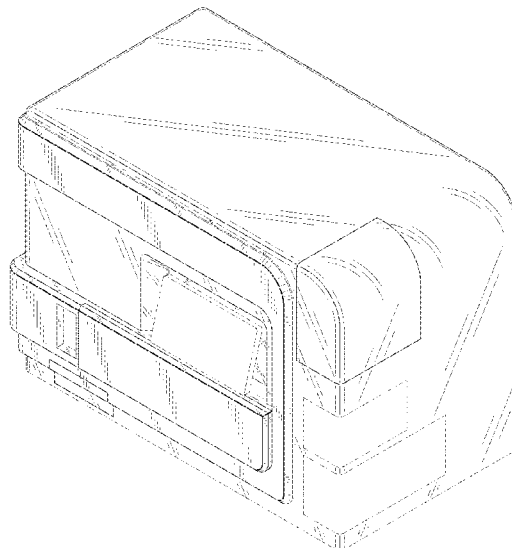
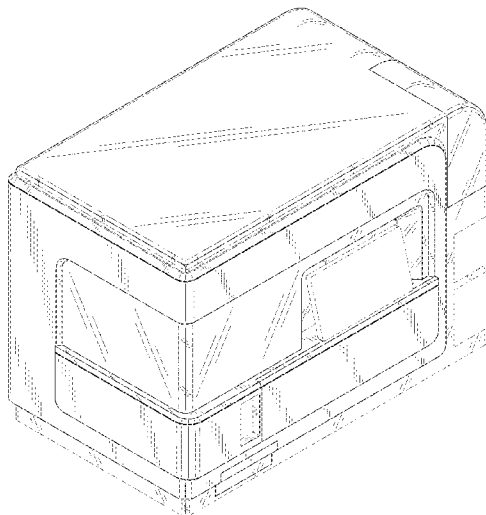
FIG. 1 is a left front top perspective view of an embodiment of an enclosure cover for a diagnostic analyzer showing my new design and showing unclaimed structure in broken lines; FIG. 2 is a right front top perspective view thereof; FIG. 3 is a front elevation view thereof; FIG. 4 is a rear elevation view thereof; FIG. 5 is a left elevation view thereof; FIG. 6 is a right elevation view thereof; FIG. 7 is a top plan view thereof; and, FIG. 8 is a bottom plan view thereof. Broken lines are shown for illustrative purposes only.

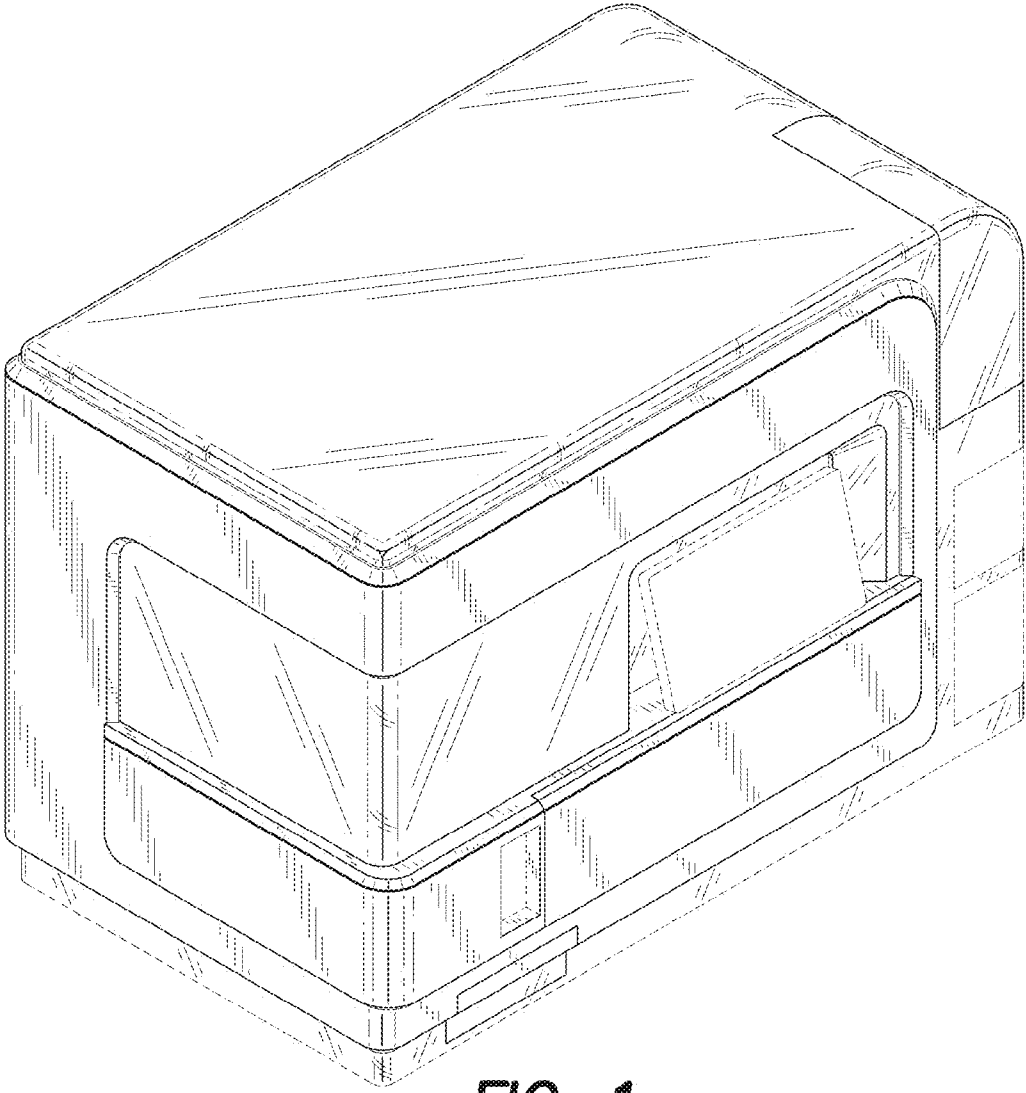
**1 Claim, 5 Drawing Sheets**

(56) **References Cited**

U.S. PATENT DOCUMENTS

4,803,050	A *	2/1989	Mack	.....	G01N 33/54366
					422/561
D347,396	S *	5/1994	Ohnuma	.....	D10/81
D378,782	S *	4/1997	LaBarbera	.....	D10/81
D381,756	S *	7/1997	Ohnuma	.....	D24/231
5,855,847	A *	1/1999	Oonuma	.....	G01N 35/02
					422/63
5,885,529	A *	3/1999	Babson	.....	B01L 3/50853
					134/150





**FIG. 1**

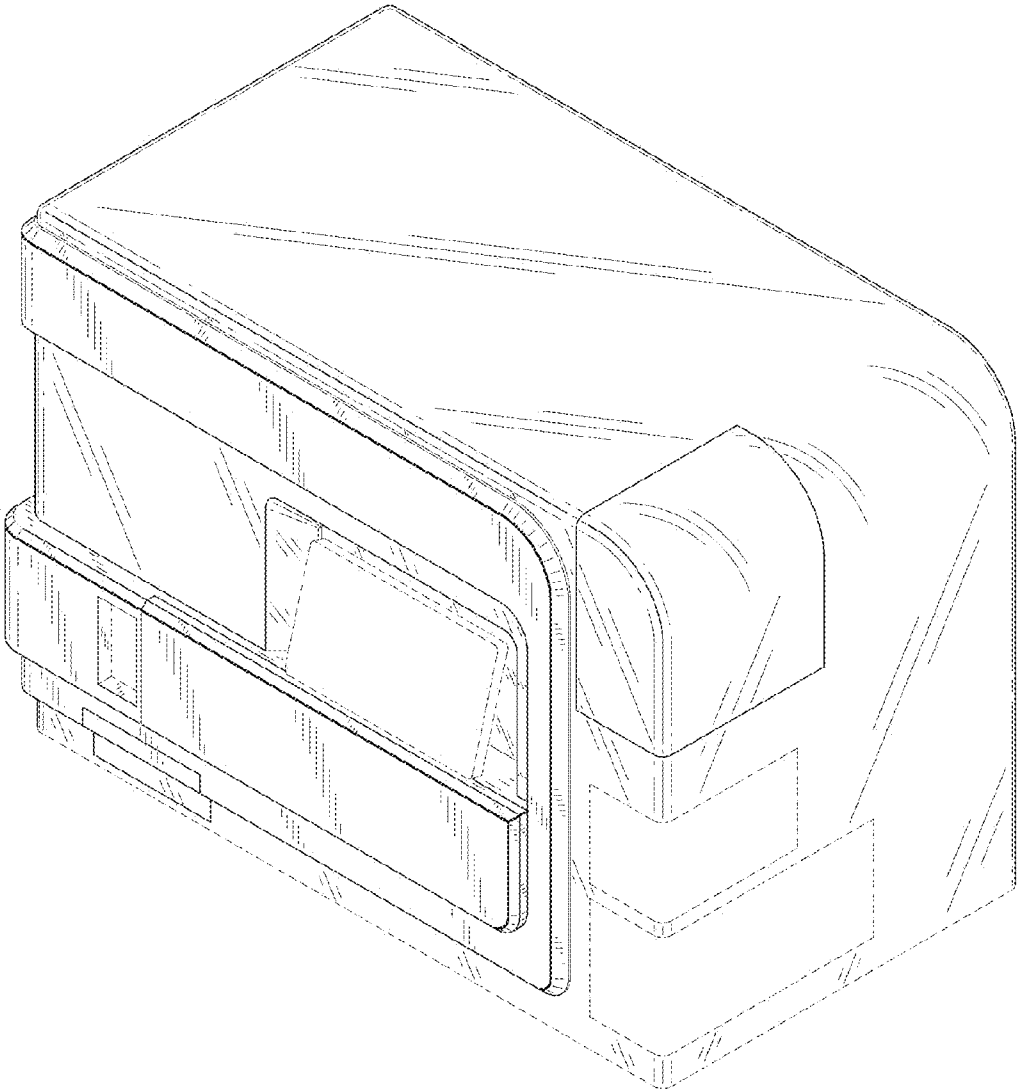
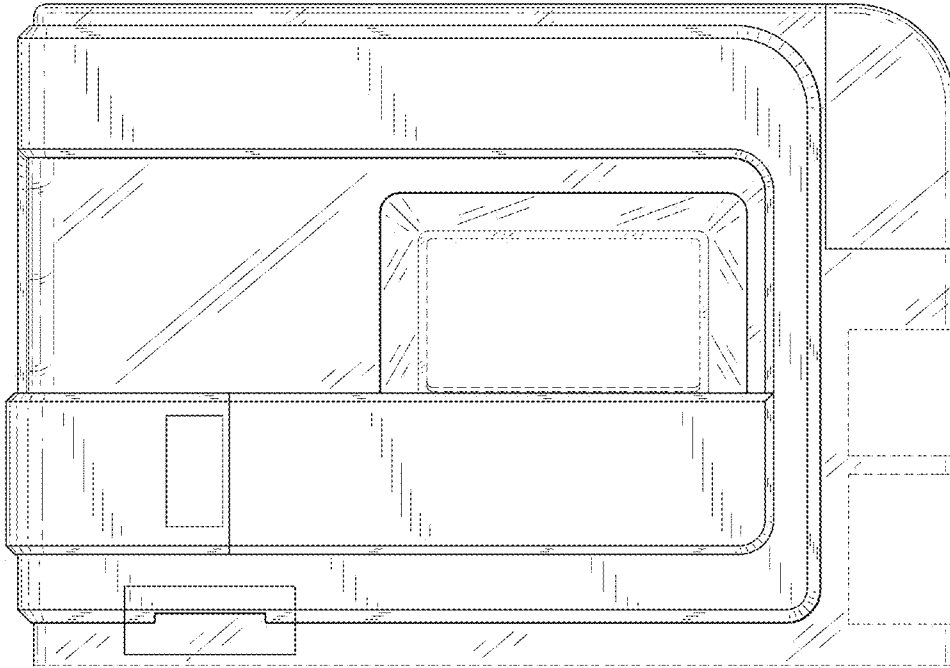
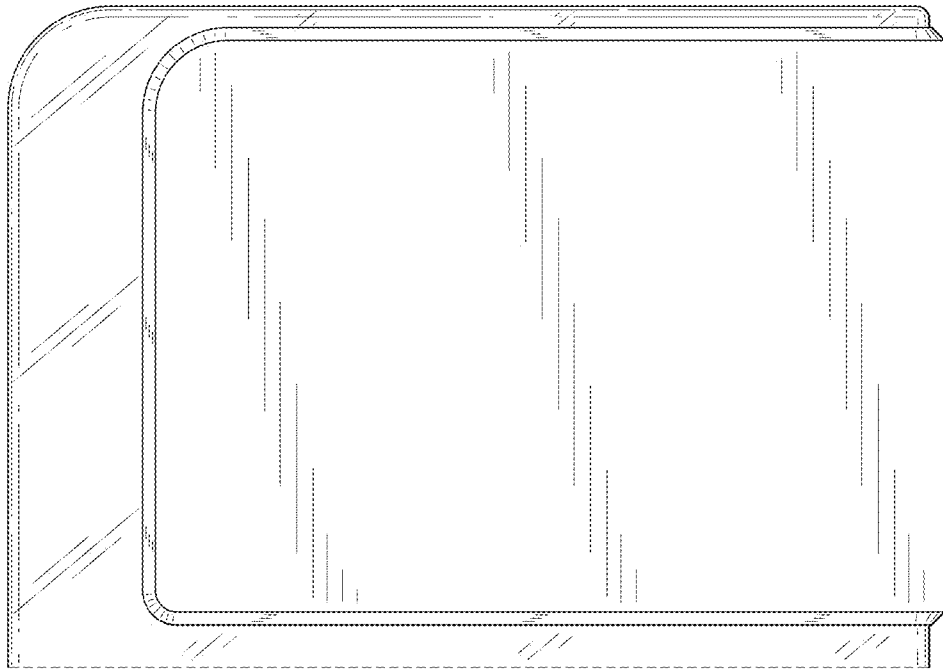


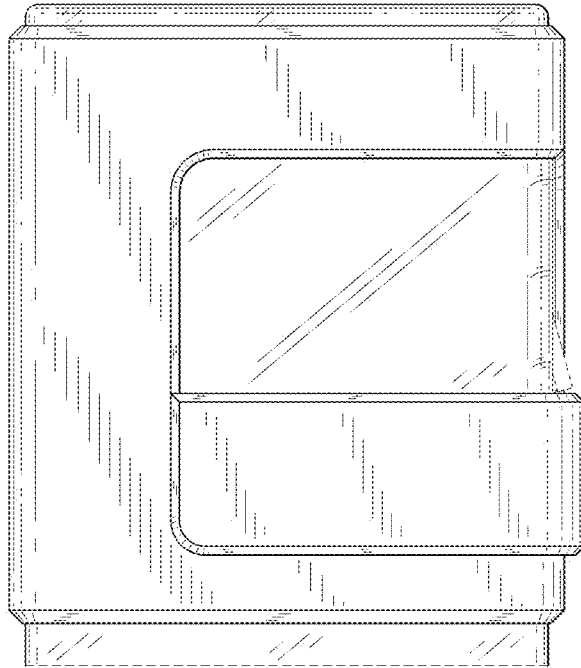
FIG. 2



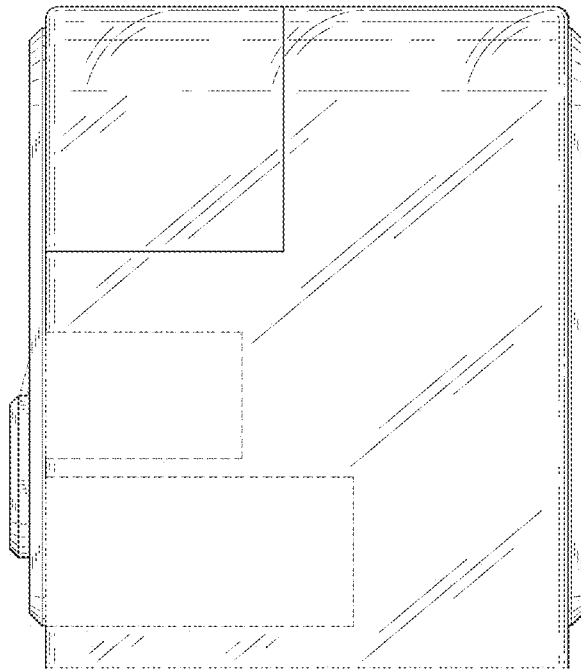
**FIG. 3**



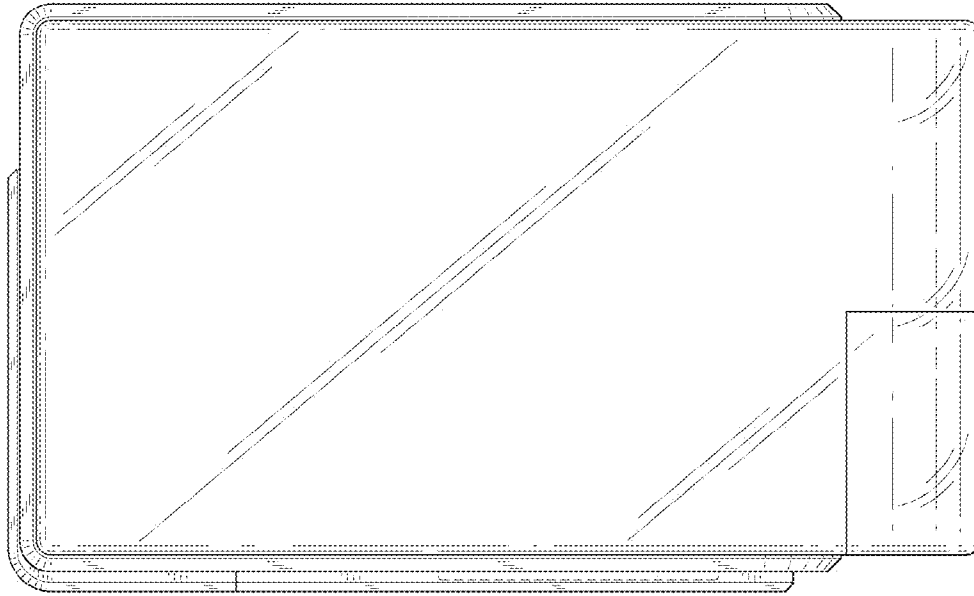
**FIG. 4**



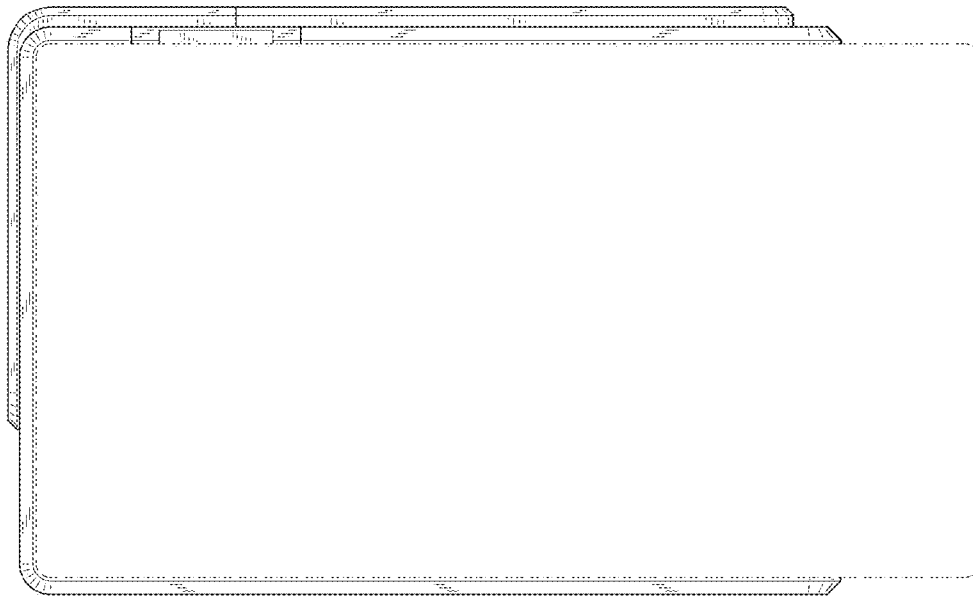
**FIG. 5**



**FIG. 6**



**FIG. 7**



**FIG. 8**