



US00D769146S

(12) **United States Design Patent**
Firth et al.

(10) **Patent No.:** **US D769,146 S**

(45) **Date of Patent:** **** Oct. 18, 2016**

(54) **WATCH**

(71) Applicant: **SHINOLA/DETROIT LLC**, Detroit, MI (US)

(72) Inventors: **Marisa Firth**, Dallas, TX (US); **Greg Verras**, Detroit, MI (US); **Carla Carr**, Lucas, TX (US)

(73) Assignee: **Shinola/Detroit LLC**, Detroit, MI (US)

(**) Term: **15 Years**

(21) Appl. No.: **29/532,668**

(22) Filed: **Jul. 9, 2015**

(51) **LOC (10) Cl.** **10-07**

(52) **U.S. Cl.**

USPC **D10/128**

(58) **Field of Classification Search**

USPC D10/1-39, 45, 122-132

CPC G04B 19/00; G04B 19/06; G04B 19/10;

G04B 19/12; G04B 19/08; G04B 19/103;

G04B 19/106; G04B 47/042; G04G 9/087

See application file for complete search history.

(56) **References Cited**

U.S. PATENT DOCUMENTS

D592,080 S *	5/2009	Mijatovic	D10/39
D711,750 S *	8/2014	Monachon	D10/39
D711,751 S *	8/2014	Laucella	D10/39
D727,754 S *	4/2015	Laucella	D10/39
D728,386 S *	5/2015	Galli	D10/39
D740,696 S *	10/2015	Monachon	D10/126
D744,865 S *	12/2015	Behling	D10/126
D747,977 S *	1/2016	Calvani	D10/126
D747,978 S *	1/2016	Babcock	D10/30
D748,501 S *	2/2016	Cerrato	D10/30
D748,502 S *	2/2016	Rapko	D10/30

D750,505 S *	3/2016	Cerrato	D10/30
D751,421 S *	3/2016	Perret	D10/126
D751,550 S *	3/2016	Solomon	D10/38
D751,929 S *	3/2016	Ette	D10/126
2002/0136096 A1 *	9/2002	Mantovani	G04B 37/0008 368/281
2006/0164924 A1 *	7/2006	Arai	G04B 37/05 368/281

(Continued)

Primary Examiner — Rosemary K Tarcza

Assistant Examiner — James Thorn, Sr.

(74) *Attorney, Agent, or Firm* — Douglas P. LaLone;
Fishman Stewart PLLC

(57) **CLAIM**

The ornamental design for a watch, as shown and described.

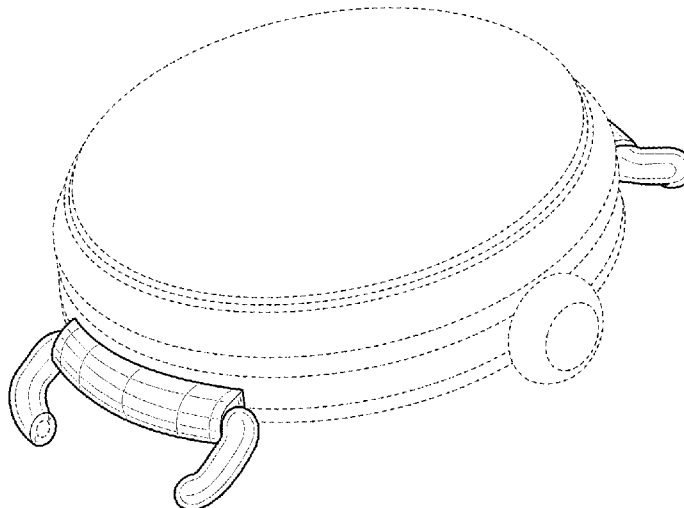
DESCRIPTION

FIG. 1 is a perspective view of a watch of the present design; FIG. 2 is a front elevational view of the watch of FIG. 1; FIG. 3 is a rear elevational view of the watch of FIG. 1; FIG. 4 is a top plan view of the watch of FIG. 1; FIG. 5 is a right side elevational view of the watch of FIG. 1;

FIG. 6 is a left side elevational view of the watch of FIG. 1; FIG. 7 is a perspective view of a second embodiment of a watch of the present design; FIG. 8 is a front elevational view of the watch of FIG. 7; FIG. 9 is a rear elevational view of the watch of FIG. 7; FIG. 10 is a top plan view of the watch of FIG. 7; FIG. 11 is a right side elevational view of the watch of FIG. 7; and, FIG. 12 is a left side elevational view of the watch of FIG. 7.

The broken lines shown in the drawings are included for the purpose of illustrating environmental structure and form no part of the claimed design.

1 Claim, 6 Drawing Sheets



US D769,146 S

Page 2

(56)

References Cited

U.S. PATENT DOCUMENTS

2014/0022875 A1*	1/2014	Scioscia	G04B 37/05 368/281
2015/0212491 A1*	7/2015	Tschumi	G04B 19/14 368/299
2008/0225650 A1*	9/2008	Muller	G04B 37/00 368/310

* cited by examiner

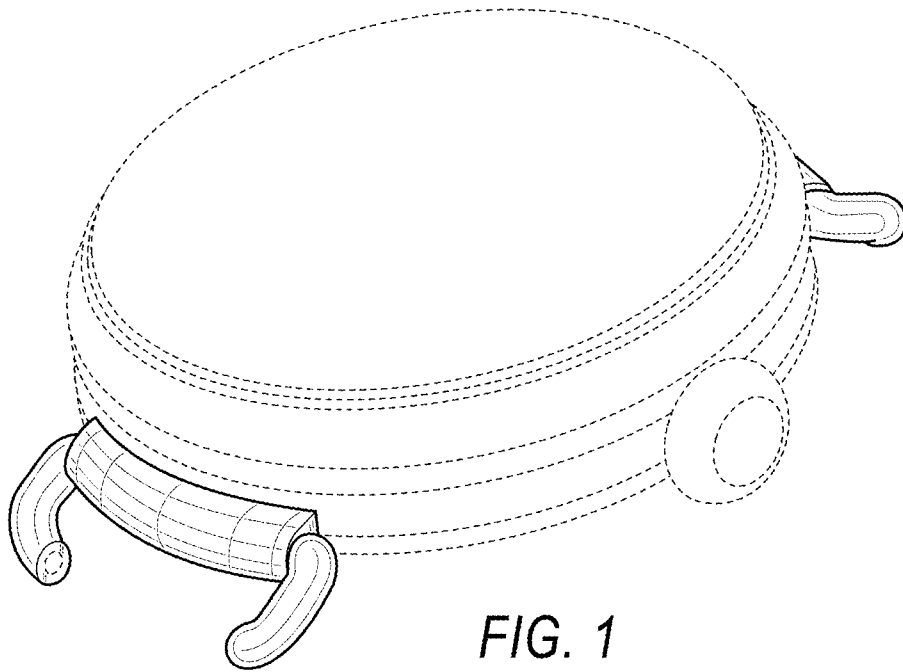


FIG. 1

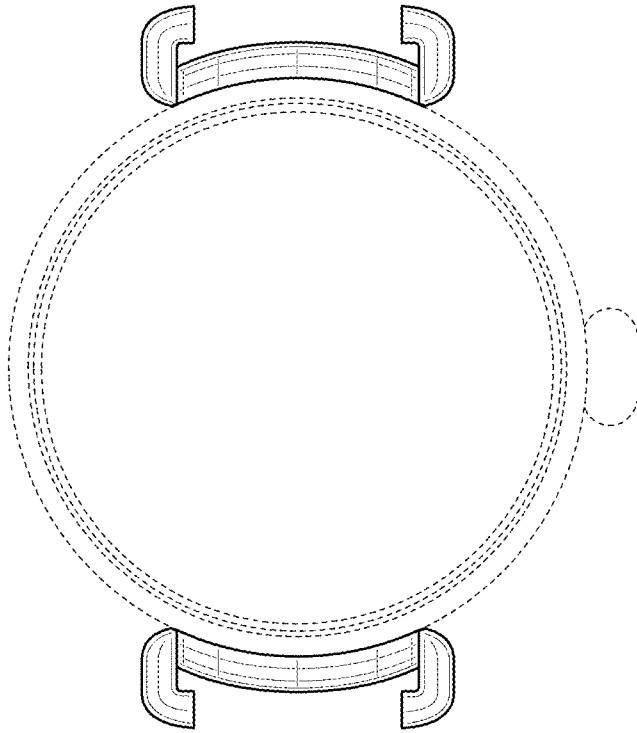


FIG. 2

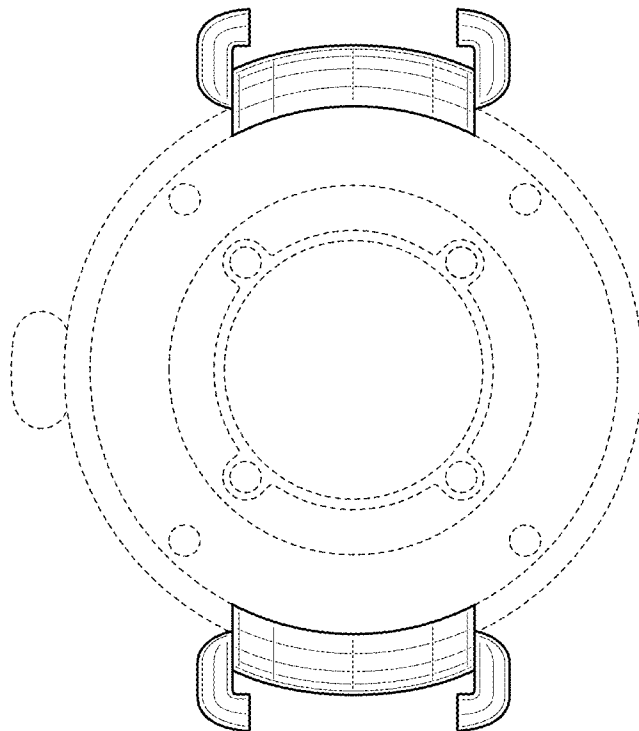


FIG. 3

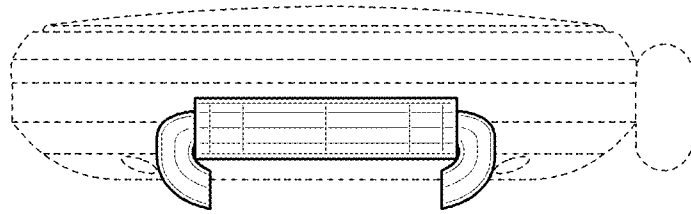


FIG. 4

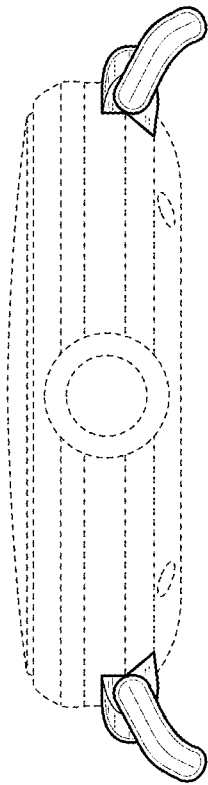


FIG. 5

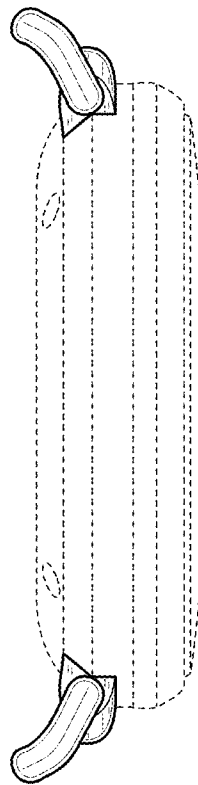


FIG. 6

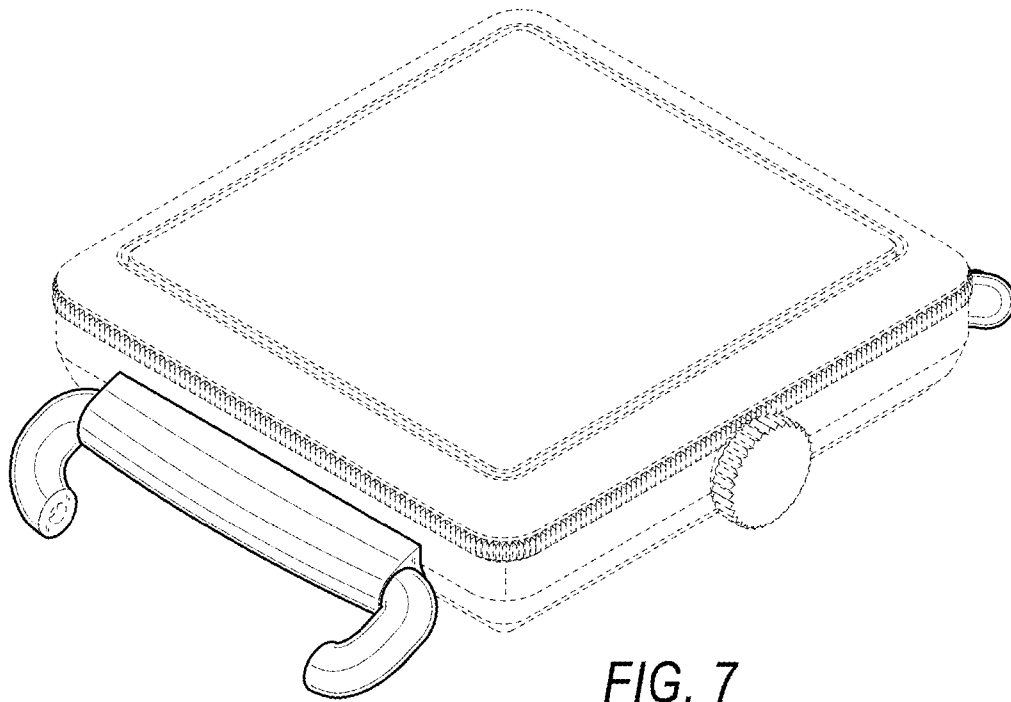


FIG. 7

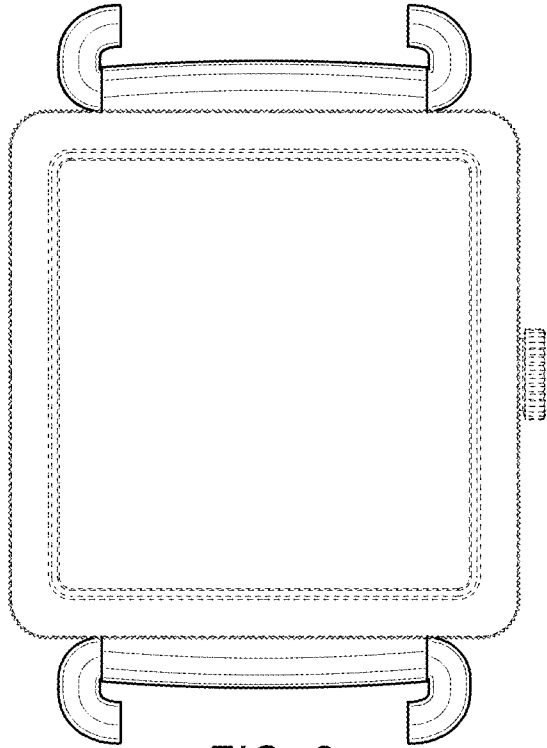


FIG. 8

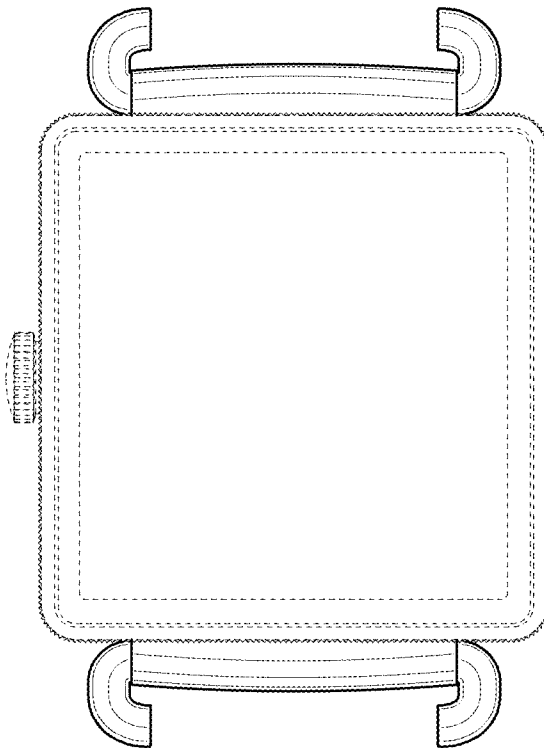


FIG. 9

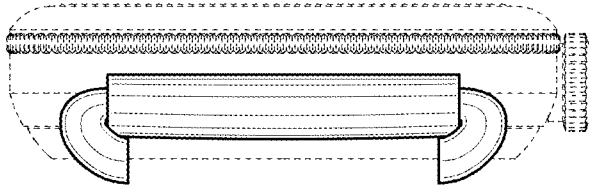


FIG. 10

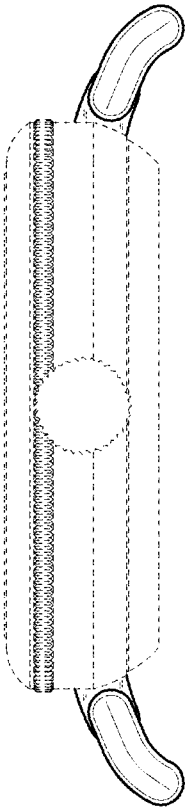


FIG. 11

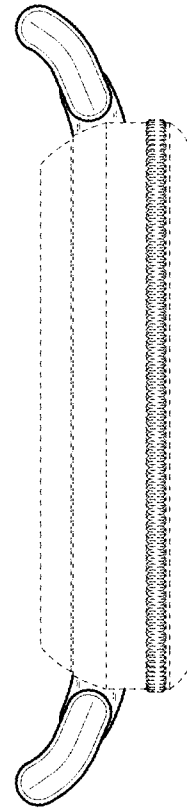


FIG. 12