



US00D996492S

(12) **United States Design Patent**
Jiang

(10) **Patent No.:** **US D996,492 S**

(45) **Date of Patent:** **** Aug. 22, 2023**

(54) **GIMBAL CAMERA**
(71) Applicant: **AUTEL ROBOTICS CO., LTD.**,
Guangdong (CN)
(72) Inventor: **Juntian Jiang**, Guangdong (CN)
(73) Assignee: **AUTEL ROBOTICS CO., LTD.**,
Guangdong (CN)
(**) Term: **15 Years**

D929,486 S * 8/2021 Liu D16/218
D939,707 S * 12/2021 Eckstein D24/158
11,254,444 B2 * 2/2022 Yu B64D 47/08
D948,592 S * 4/2022 Lin D16/203

FOREIGN PATENT DOCUMENTS

CN 307327846 * 5/2022
EM 007960562-0003 * 5/2020
EM 007960562-0002 * 7/2020
EM 009182215-0001 * 10/2022

OTHER PUBLICATIONS

Autel Robotics Evo II Drone Bundle, earliest pictured Aug. 8, 2022, [online], [site visited May 11, 2023]. Available via Internet, <URL:https://www.autelglobal.store/products/autel-robotics-evo-ii-dual-640t-thermal-8k-drone-rugged-bundle-v2> (Year: 2022).*

(Continued)

Primary Examiner — Sanjeev Paul
Assistant Examiner — Breana Copeland

(21) Appl. No.: **29/868,908**
(22) Filed: **Dec. 16, 2022**
Related U.S. Application Data
(62) Division of application No. 29/735,624, filed on May 22, 2020.

(30) **Foreign Application Priority Data**
Nov. 22, 2019 (CN) 201930645929.3

(51) **LOC (14) CL.** **16-01**
(52) **U.S. CL.**
USPC **D16/218**

(58) **Field of Classification Search**
USPC D16/200, 202, 203, 205, 208, 218, 225,
D16/235; D14/130, 132, 144, 203.8,
D14/209.1; D10/104.1, 104.2, 106.1,
D10/106.5; D12/16.1
CPC G03B 17/02; G03B 17/561; G03B 17/563;
G03B 15/006; H04N 5/23264; H04N
5/23299; H04N 5/23251; H04N 2101/00
See application file for complete search history.

(56) **References Cited**
U.S. PATENT DOCUMENTS

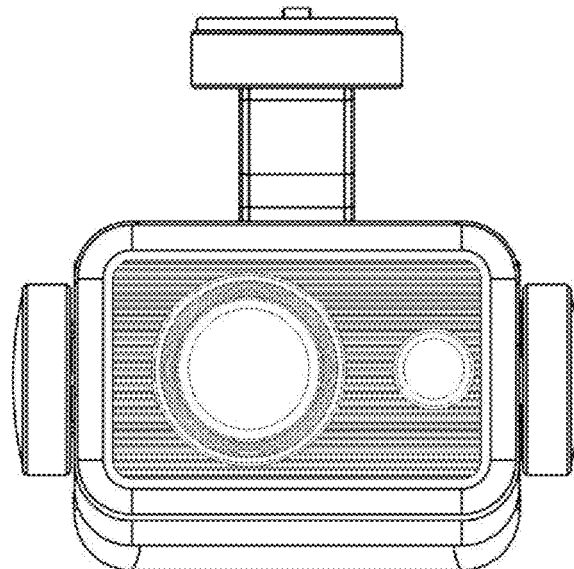
D861,525 S * 10/2019 Wang D16/242
D916,941 S * 4/2021 Nolan D10/53

(57) **CLAIM**
I claim the ornamental designs for gimbal camera, as shown and described.

DESCRIPTION

FIG. 1 is a front elevational of a gimbal camera showing my new design;
FIG. 2 is a back elevational view thereof;
FIG. 3 is a left side elevational view thereof;
FIG. 4 is a right side elevational view thereof;
FIG. 5 is a top plan view thereof;
FIG. 6 is a bottom plan view thereof; and,
FIG. 7 is a perspective view thereof.

1 Claim, 4 Drawing Sheets



(56)

References Cited

OTHER PUBLICATIONS

DJI Enterprise Matrice 300 RTK , earliest pictured Jan. 31, 2023, [online], [site visited May 11, 2023]. Available via Internet, <URL:https://enterprise.dji.com/matrice-300> (Year: 2023).*

DSLR Pros FLIR Vue Dual Thermal Camera, earliest pictured Oct. 1, 2020, [online], [site visited May 11, 2023]. Available via Internet, <URL:https://www.dslrpros.com/flir-vue-tz20-dual-thermal-camera-60hz.html> (Year: 2020).*

Google Search, [online], [site visited May 11, 2023]. Available via Internet, <URL:https://www.google.com/search?q=AUTEL+ROBOTICS+CO+gimbal+camera&tbm=isch&ved=2ahUKEwiplsuU1u3-AhWdAFkFHXS4BkQQ2-cCegQIA%E2%80%A6> (Year: 2023).*

* cited by examiner

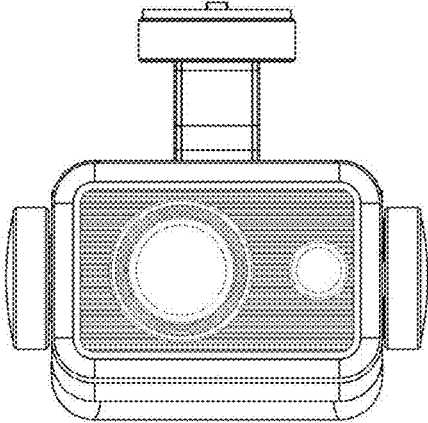


FIG.1

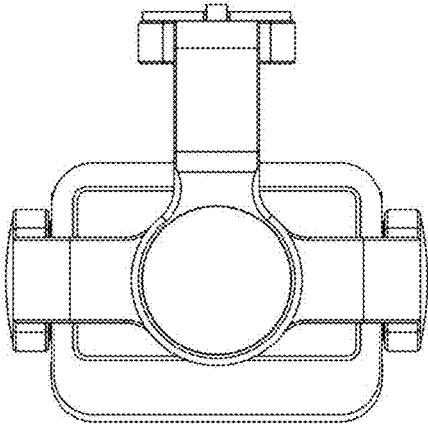


FIG.2

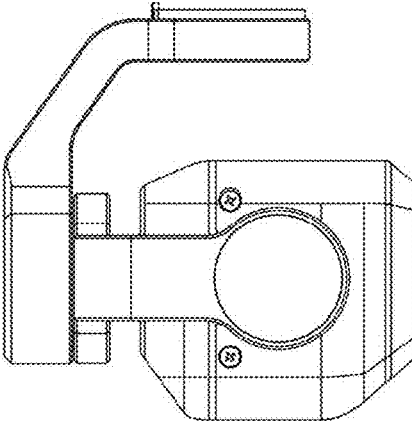


FIG.3

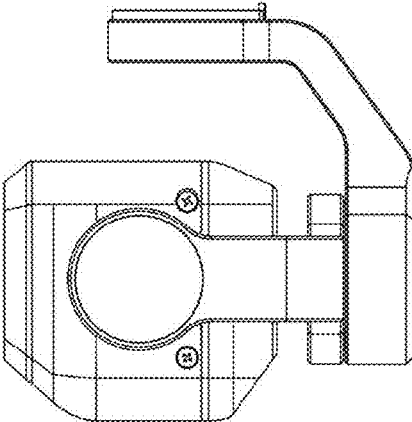


FIG.4

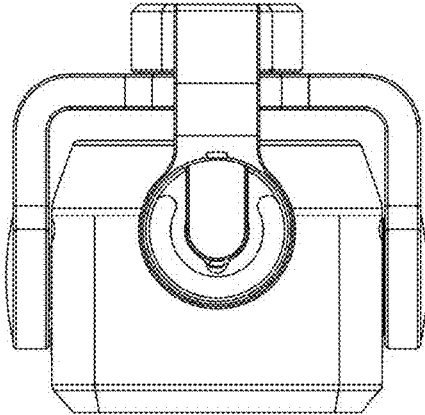


FIG.5

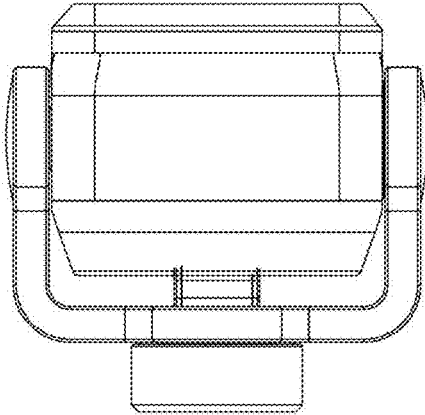


FIG.6

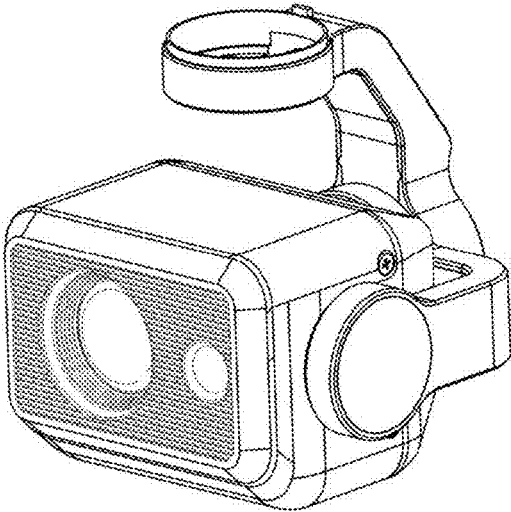


FIG.7