



US00D615127S

(12) **United States Design Patent**
Hsu

(10) **Patent No.:** **US D615,127 S**

(45) **Date of Patent:** **** May 4, 2010**

(54) **STATIONERY ORGANIZER IN THE FORM OF AN AQUARIUM**

D566,342 S * 4/2008 Kilroy D30/104
D577,463 S * 9/2008 Kilroy D30/101
D596,808 S * 7/2009 Belter D30/101

(75) Inventor: **Yen-Shao Hsu**, Taipei Hsien (TW)

* cited by examiner

(73) Assignee: **Chi Da Toys Enterprises (H.K.) Ltd.**,
Kowloon (HK)

Primary Examiner—Elizabeth A Albert
(74) *Attorney, Agent, or Firm*—Muncy, Geissler, Olds &
Lowe, PLLC

(**) Term: **14 Years**

(21) Appl. No.: **29/351,687**

(57) **CLAIM**

(22) Filed: **Dec. 9, 2009**

The ornamental design for stationery organizer in the form of an aquarium, as shown and described.

(51) **LOC (9) Cl.** **19-02**

DESCRIPTION

(52) **U.S. Cl.** **D19/75; D30/104**

FIG. 1 is a perspective view of a stationery organizer in the form of an aquarium showing my new design;

(58) **Field of Classification Search** D6/470,

D6/510; D19/75, 77–86, 90–95; D30/101–106;
206/214, 224, 371, 457; 428/13

FIG. 2 is a front view of the new design;

FIG. 3 is a rear view of the new design;

See application file for complete search history.

FIG. 4 is a left view of the new design;

FIG. 5 is a right view of the new design;

(56) **References Cited**

U.S. PATENT DOCUMENTS

- D339,824 S * 9/1993 Ancona et al. D19/77
- D347,911 S * 6/1994 Tominaga D30/101
- D351,488 S * 10/1994 Tominaga D30/101
- D356,404 S * 3/1995 Hashimoto D30/101
- D361,166 S * 8/1995 Tsuchiya D30/101
- D361,168 S * 8/1995 Ichikawa D30/101
- D361,412 S * 8/1995 Ichikawa D30/101
- D361,413 S * 8/1995 Ichikawa D30/101
- D361,870 S * 8/1995 Ichikawa D30/101
- D362,088 S * 9/1995 Ichikawa D30/101
- D366,350 S * 1/1996 Ichikawa D30/101
- D371,088 S * 6/1996 Vollick D11/145
- D383,623 S * 9/1997 Goodwin et al. D6/470
- D397,520 S * 8/1998 Ichikawa D30/101
- D416,292 S * 11/1999 Hsieh D21/483
- D448,124 S * 9/2001 Wang D30/101

FIG. 6 is a top view of the new design;

FIG. 7 is a bottom view of the new design;

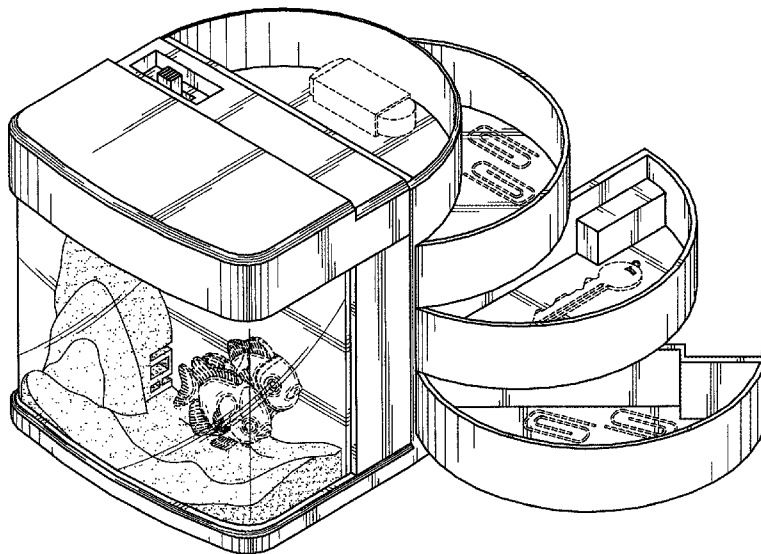
FIG. 8 is a perspective view showing the design in opened position;

FIG. 9 is a perspective view showing the design opened with unclaimed articles therein; and,

FIG. 10 is a perspective view showing the design closed with unclaimed articles.

The broken line showing unclaimed articles in the trays and fish in the aquarium in FIGS. 9 and 10 are included for the purpose of illustrating environmental matter and form no part of the claimed design.

1 Claim, 10 Drawing Sheets



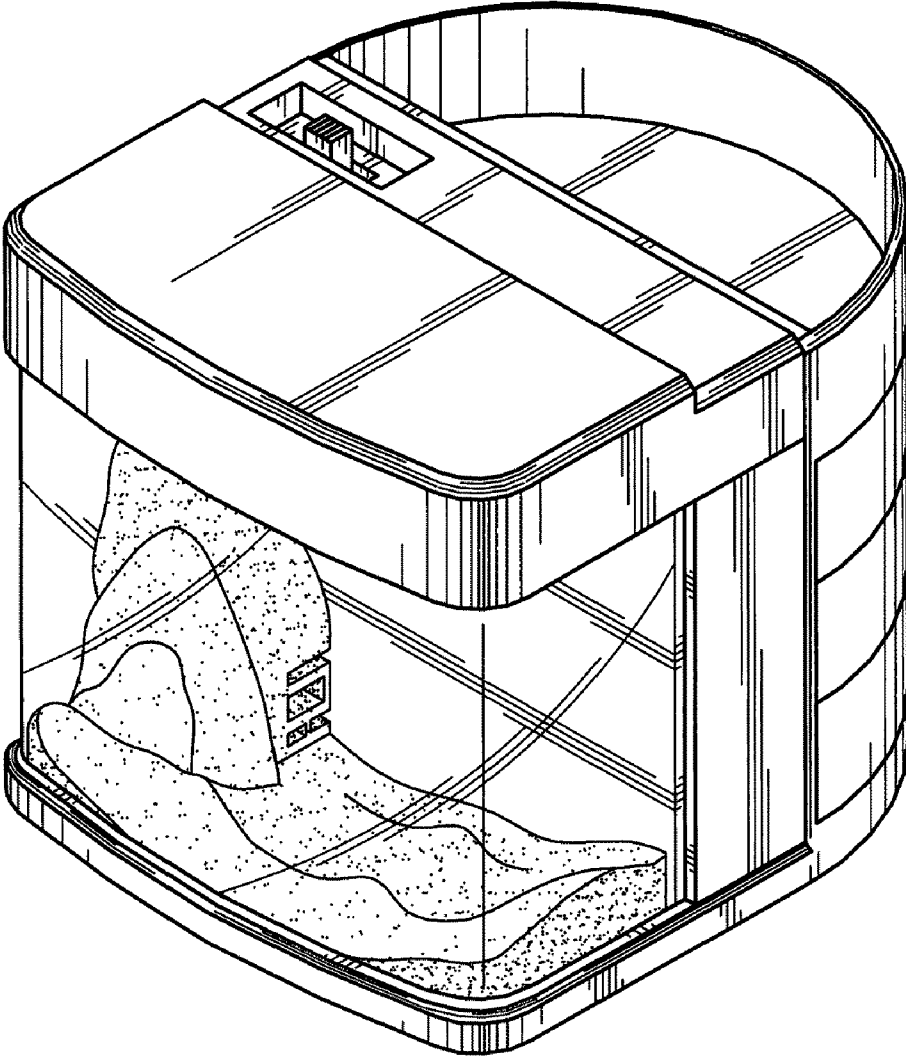


Fig. 1

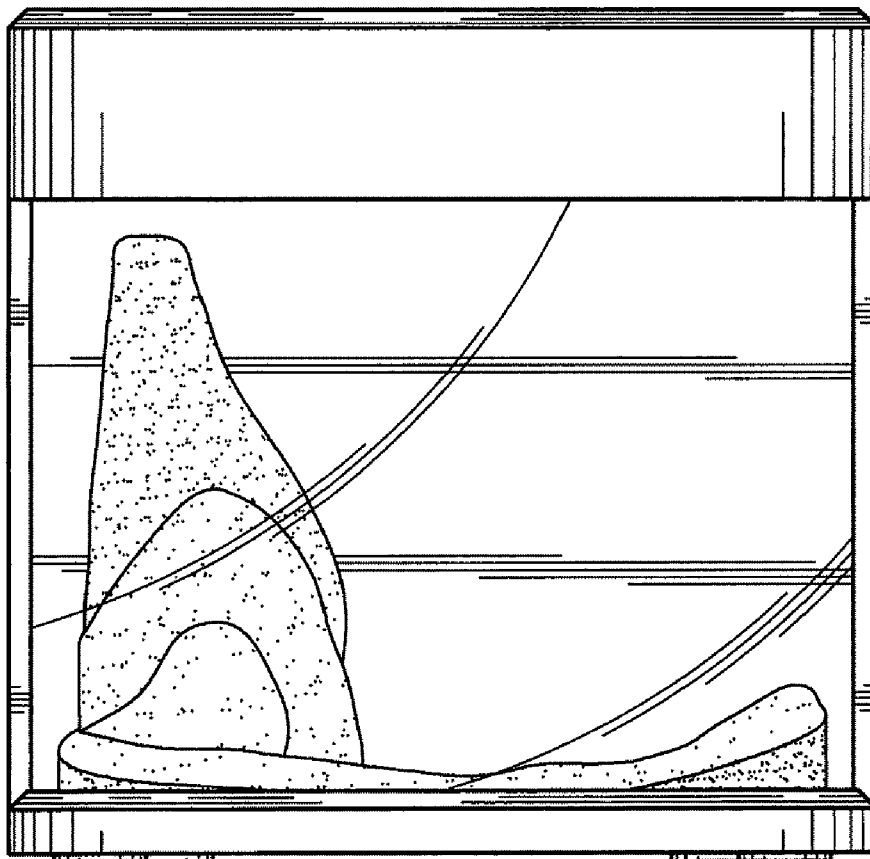


Fig. 2

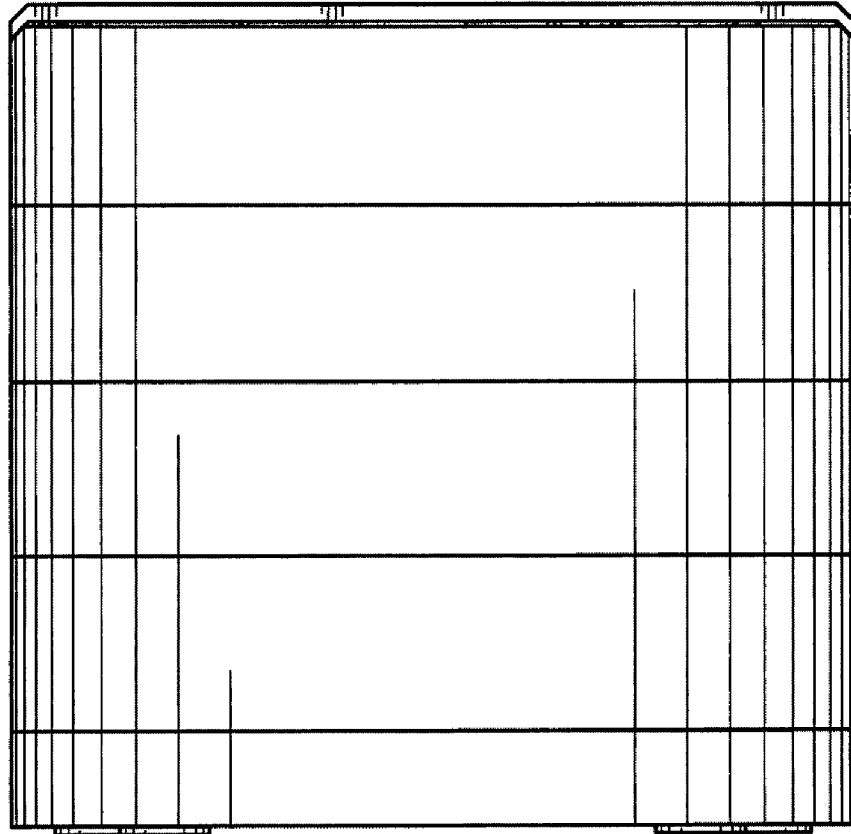


Fig. 3

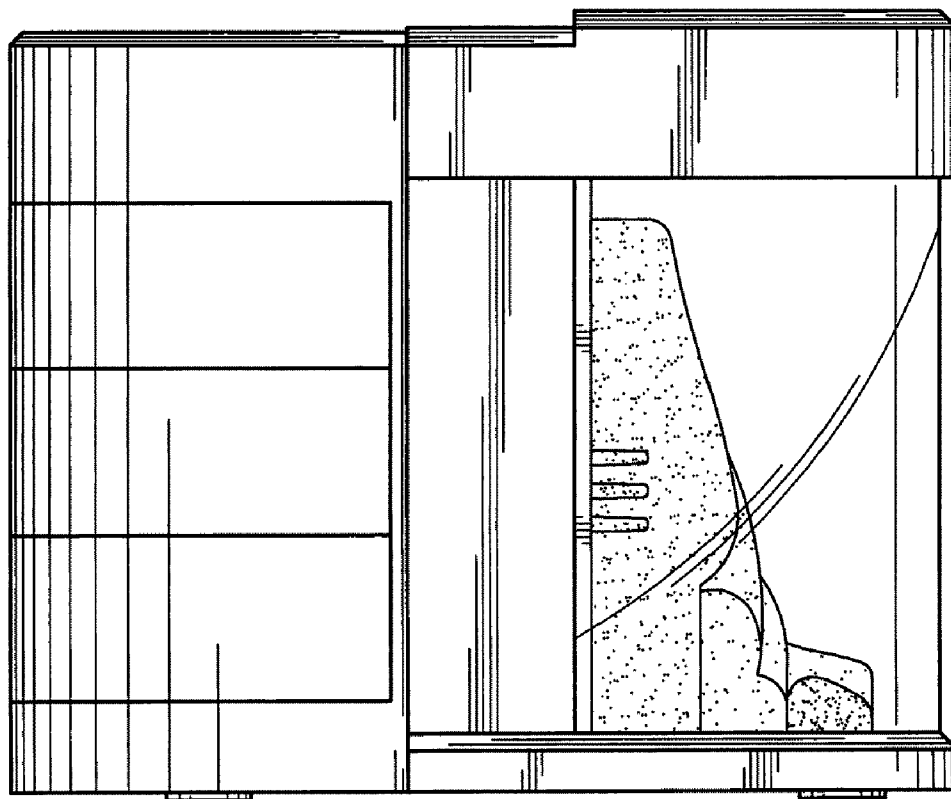


Fig. 4

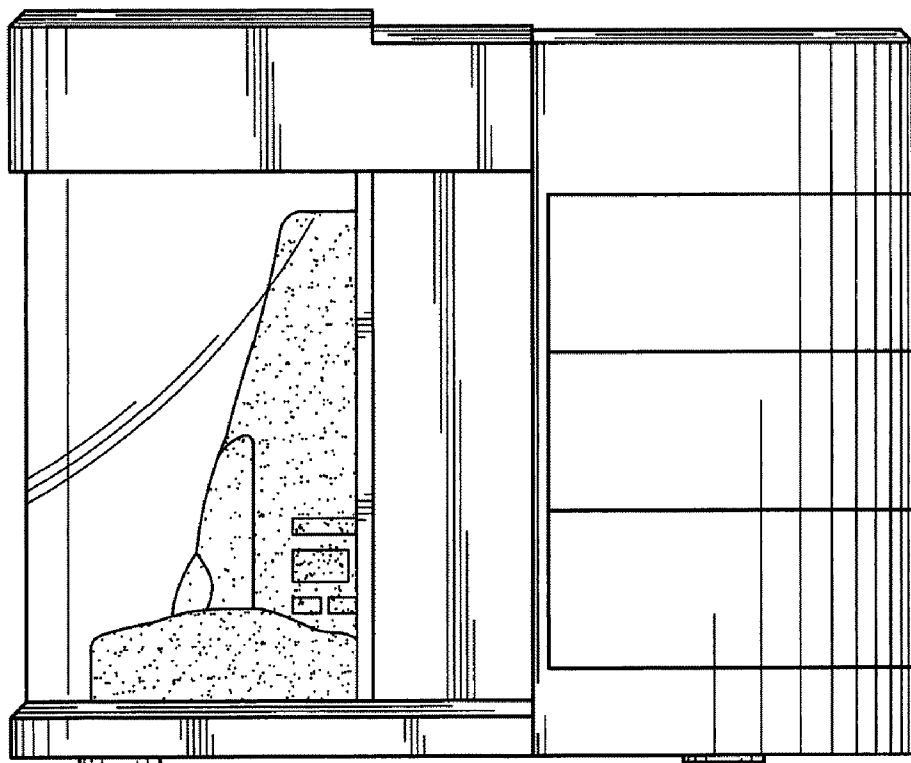


Fig. 5

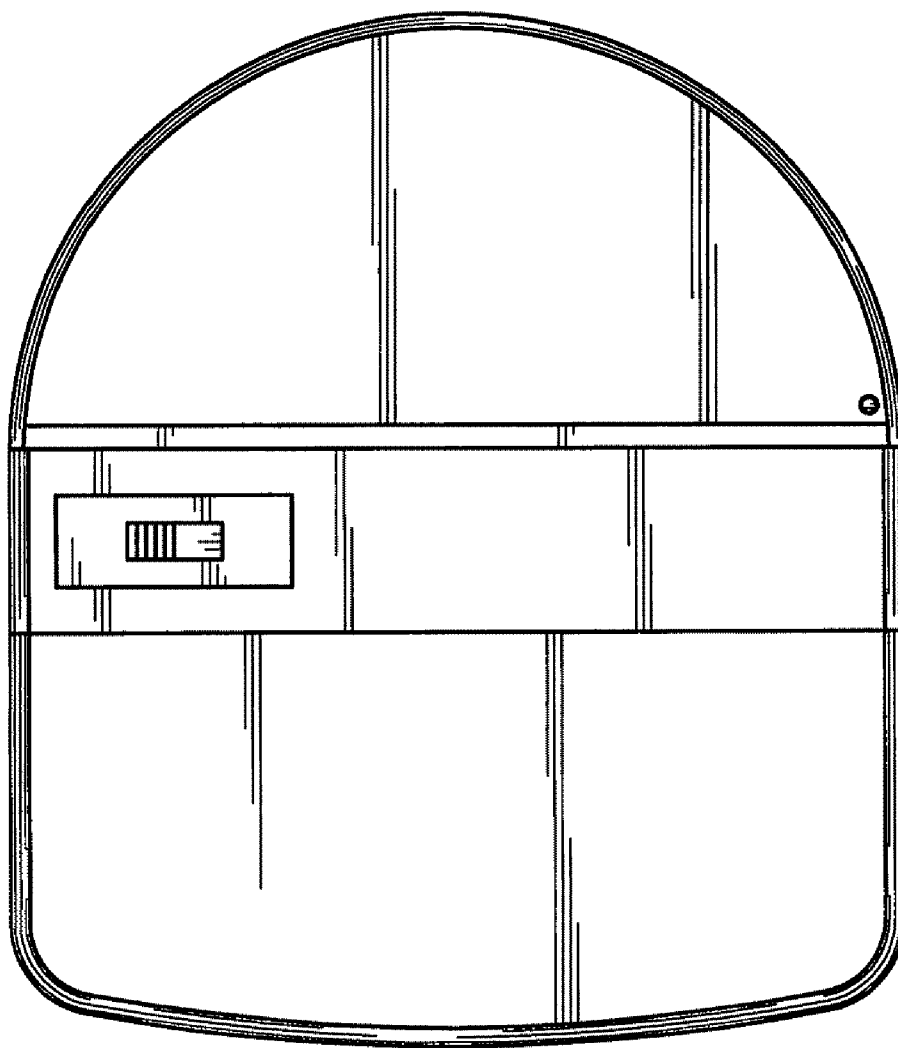


Fig. 6

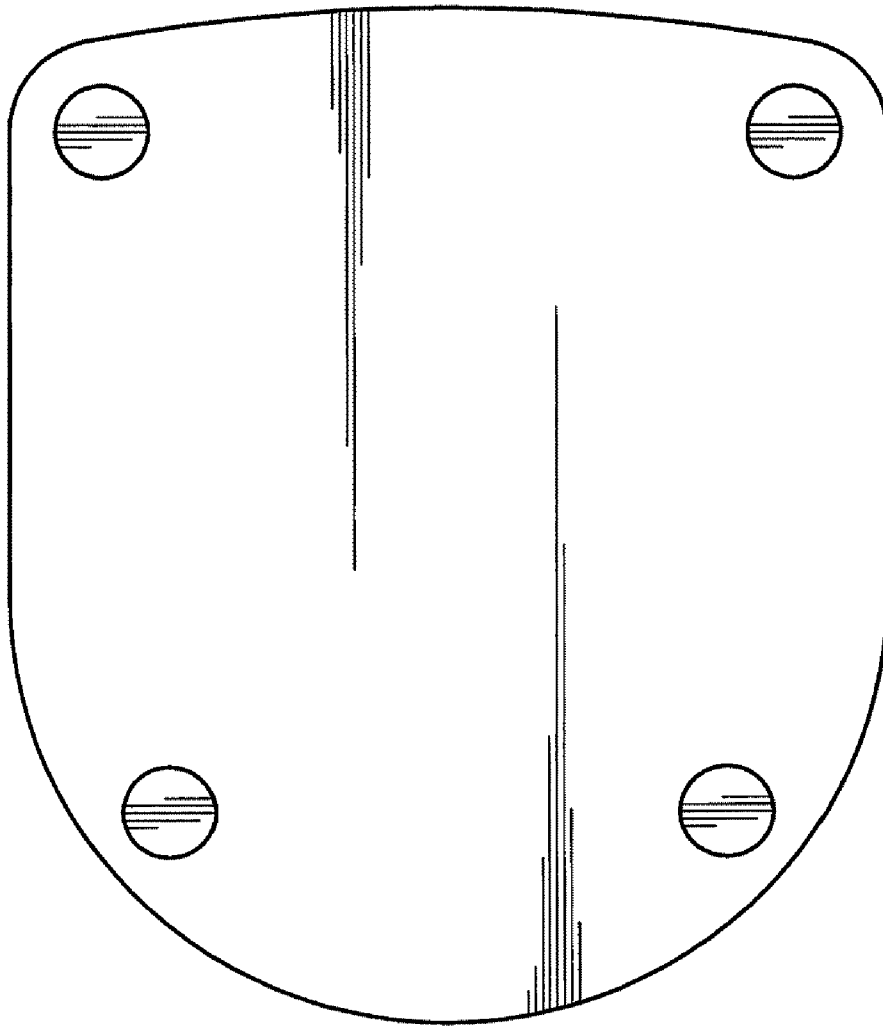


Fig. 7

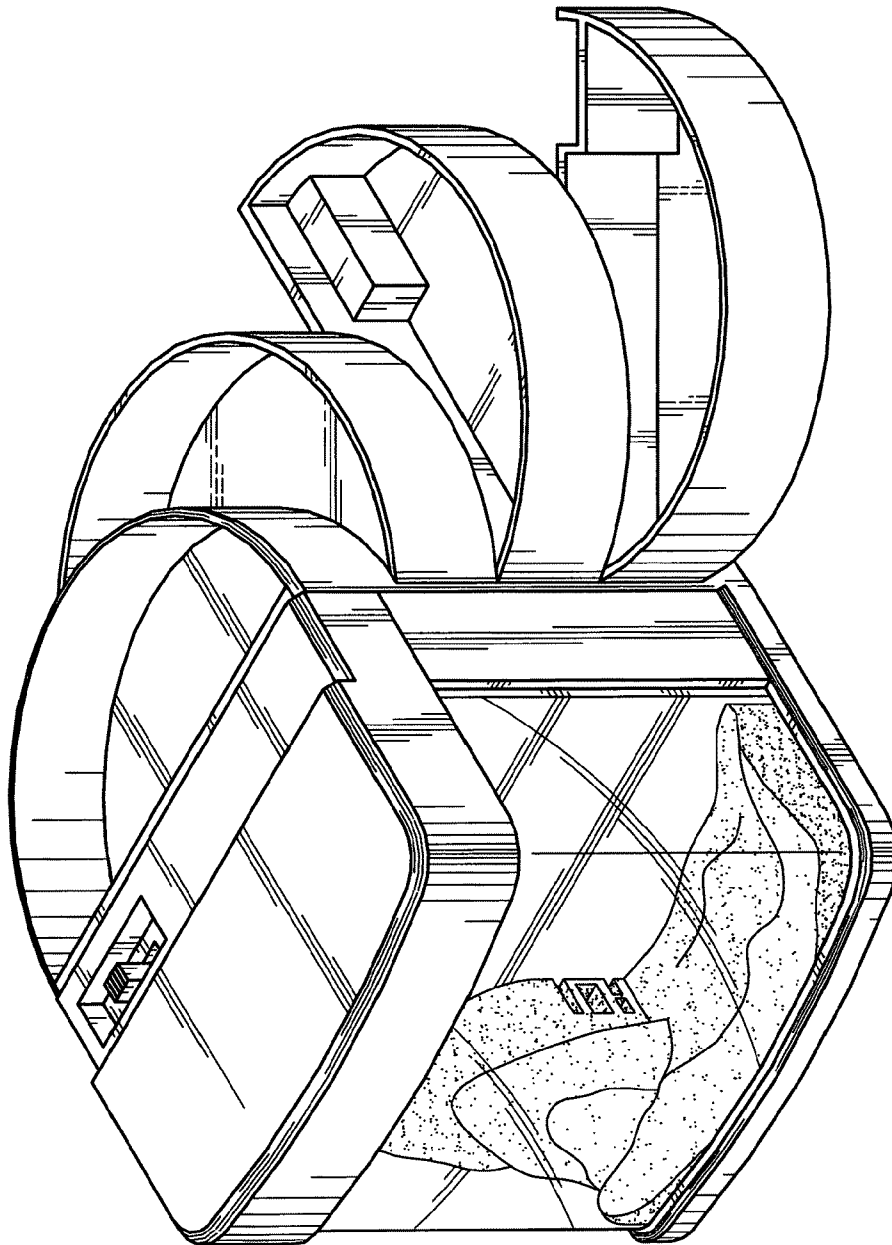


Fig. 8

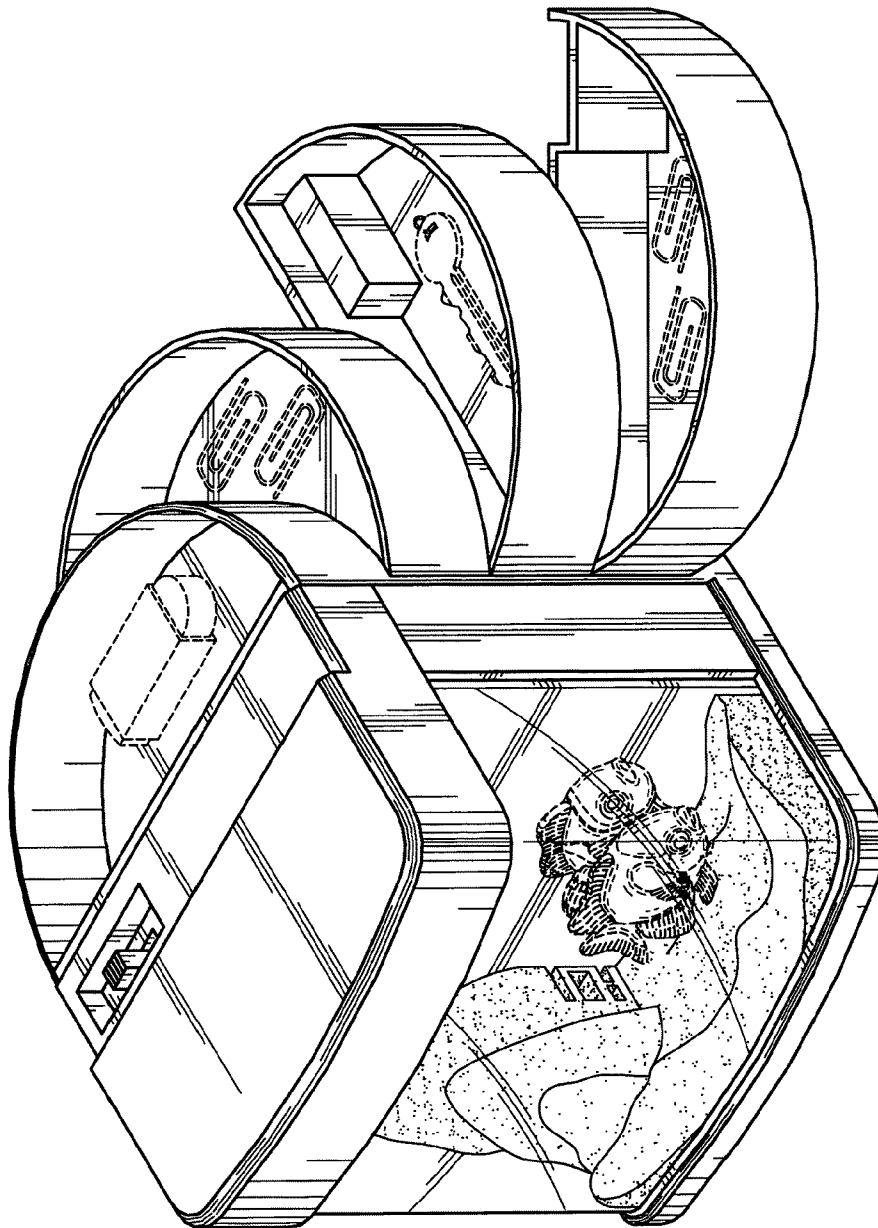


Fig. 9

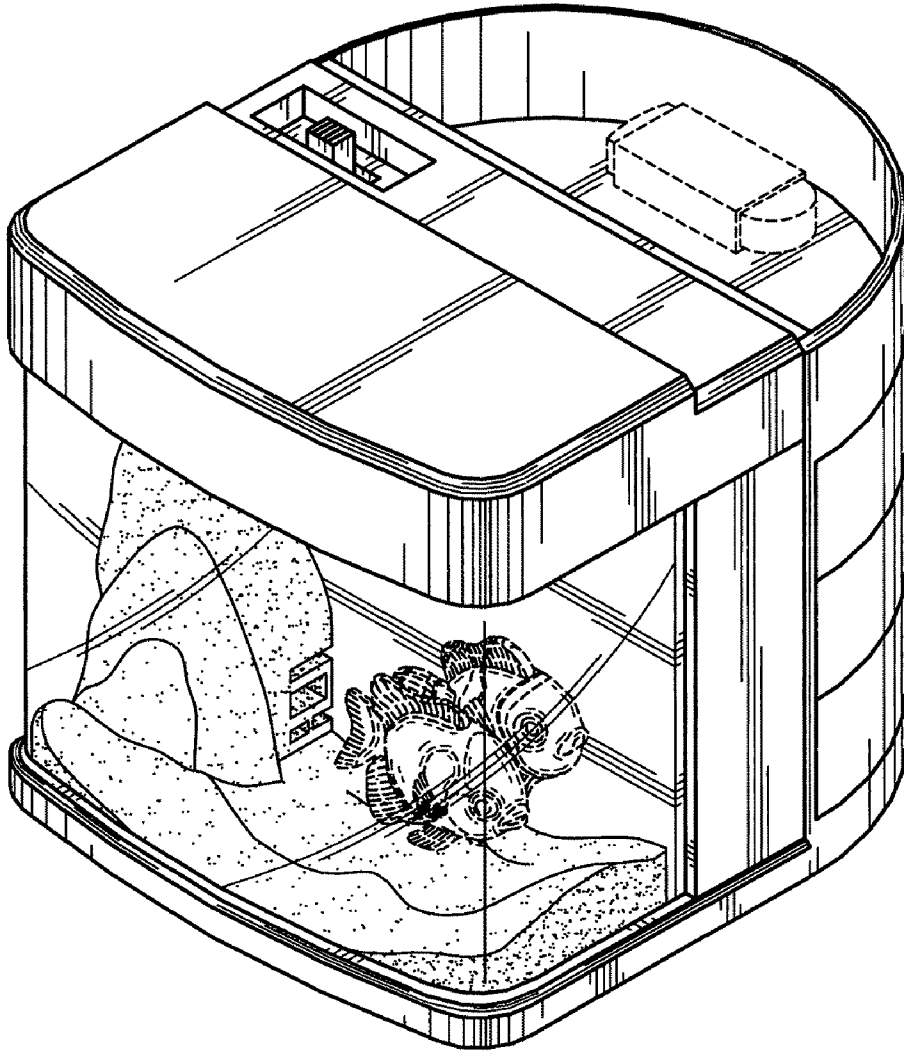


Fig. 10