

(19) World Intellectual Property Organization
International Bureau



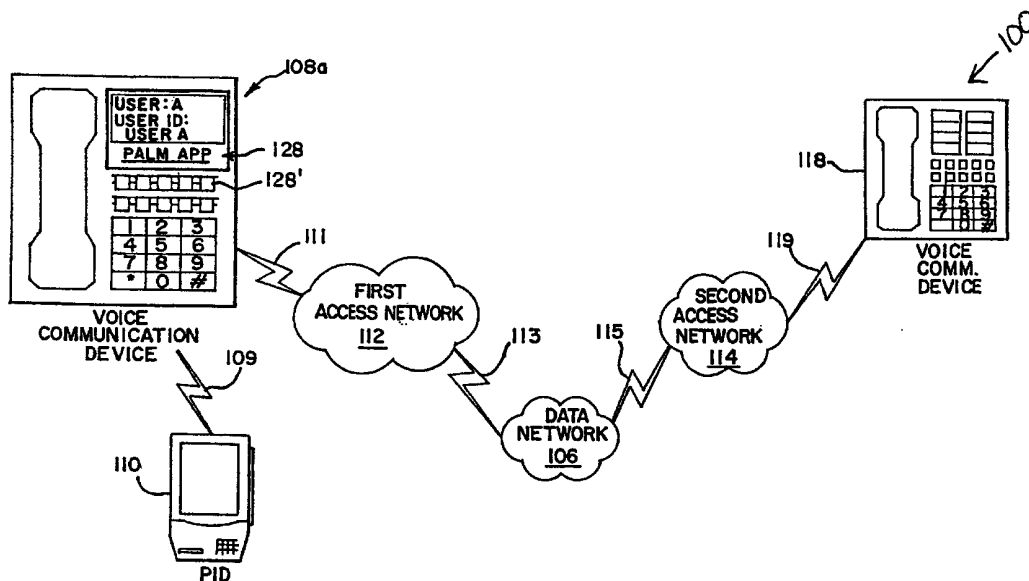
(43) International Publication Date
7 September 2001 (07.09.2001)

PCT

(10) International Publication Number
WO 01/65820 A3

- (51) International Patent Classification⁷: H04M 1/247, 1/253, 7/00, 1/725, 1/2745, 1/275, 3/493
- (21) International Application Number: PCT/US01/05335
- (22) International Filing Date: 20 February 2001 (20.02.2001)
- (25) Filing Language: English
- (26) Publication Language: English
- (30) Priority Data:
09/515,795 29 February 2000 (29.02.2000) US
- (71) Applicant: 3COM CORPORATION [US/US]; 5400 Bayfront Plaza, Santa Clara, CA 95052 (US).
- (72) Inventors: SCHUSTER, Guido, M.; Rotelsteig 9, CH-8037 Zürich (CH). SIDHU, Ikhlq, S.; 403 East River Grove Lane, Vernon Hills, IL 60061 (US). BELKIND, Ronnen; 1960 Lincoln Park West #2503, Chicago, IL 60614 (US). DEAN, Frederick, D.; 2311 North Greenview Avenue, Chicago, IL 60614 (US).
- (74) Agent: THYMIAN, Marcus, J.; McDonnell Boehnen Hulbert & Berghoff, 300 South Wacker Drive, Chicago, IL 60606 (US).
- (81) Designated State (national): CA.
- (84) Designated States (regional): European patent (AT, BE, CH, CY, DE, DK, ES, FI, FR, GB, GR, IE, IT, LU, MC, NL, PT, SE, TR).
- Published:
— with international search report
— before the expiration of the time limit for amending the claims and to be republished in the event of receipt of amendments
- (88) Date of publication of the international search report:
18 April 2002
- For two-letter codes and other abbreviations, refer to the "Guidance Notes on Codes and Abbreviations" appearing at the beginning of each regular issue of the PCT Gazette.

(54) Title: SYSTEM AND METHOD FOR ENABLING A PORTABLE INFORMATION DEVICE FOR USE IN A DATA NETWORK TELEPHONE SYSTEM



(57) Abstract: A system and method for enabling a portable information device as a tool for providing user mobility services on a data network telephony system. An application on a data network telephone may initiate a connection to the portable information device using a PID interface link, such as an infrared link. The data network telephone sends at least one application for providing user mobility services and other telephony control applications to the portable information device. The portable information device may now be used to re-configure this or other telephones for use by the user of the portable information device.



WO 01/65820 A3

INTERNATIONAL SEARCH REPORT

International Application No

PCT/US 01/05335

A. CLASSIFICATION OF SUBJECT MATTER

IPC 7 H04M1/247 H04M1/253 H04M7/00 H04M1/725 H04M1/2745
 H04M1/275 H04M3/493

According to International Patent Classification (IPC) or to both national classification and IPC

B. FIELDS SEARCHED

Minimum documentation searched (classification system followed by classification symbols)

IPC 7 H04M

Documentation searched other than minimum documentation to the extent that such documents are included in the fields searched

Electronic data base consulted during the international search (name of data base and, where practical, search terms used)

EPO-Internal, WPI Data, INSPEC, IBM-TDB, COMPENDEX

C. DOCUMENTS CONSIDERED TO BE RELEVANT

Category *	Citation of document, with indication, where appropriate, of the relevant passages	Relevant to claim No.
X	WO 99 45687 A (YABLON JAY R) 10 September 1999 (1999-09-10) abstract page 5, line 16 - line 40 page 11, line 25 - line 40; figures 15,16 -----	1,2,4
X	WO 99 35802 A (MICROSOFT CORP) 15 July 1999 (1999-07-15) abstract page 2, line 5 -page 3, line 10 page 6, line 31 -page 8, line 34 -----	1,2,4
X	US 5 732 074 A (BRAITBERG MICHAEL F ET AL) 24 March 1998 (1998-03-24) abstract column 3, line 30 -column 4, line 24 column 6, line 12 - line 16 column 11, line 57 -column 12, line 18 -----	1,2,4

Further documents are listed in the continuation of box C.

Patent family members are listed in annex.

* Special categories of cited documents :

- *A* document defining the general state of the art which is not considered to be of particular relevance
- *E* earlier document but published on or after the international filing date
- *L* document which may throw doubts on priority claim(s) or which is cited to establish the publication date of another citation or other special reason (as specified)
- *O* document referring to an oral disclosure, use, exhibition or other means
- *P* document published prior to the international filing date but later than the priority date claimed

- *T* later document published after the international filing date or priority date and not in conflict with the application but cited to understand the principle or theory underlying the invention
- *X* document of particular relevance; the claimed invention cannot be considered novel or cannot be considered to involve an inventive step when the document is taken alone
- *Y* document of particular relevance; the claimed invention cannot be considered to involve an inventive step when the document is combined with one or more other such documents, such combination being obvious to a person skilled in the art.
- *&* document member of the same patent family

Date of the actual completion of the international search

11 February 2002

Date of mailing of the international search report

19/02/2002

Name and mailing address of the ISA

European Patent Office, P.B. 5818 Patentlaan 2
 NL - 2280 HV Rijswijk
 Tel. (+31-70) 340-2040, Tx. 31 651 epo nl,
 Fax: (+31-70) 340-3016

Authorized officer

Willem, B

INTERNATIONAL SEARCH REPORT

Information on patent family members

International Application No

PCT/US 01/05335

Patent document cited in search report		Publication date	Patent family member(s)	Publication date
WO 9945687	A	10-09-1999	US 5764731 A	09-06-1998
			WO 9945687 A1	10-09-1999
WO 9935802	A	15-07-1999	US 6311058 B1	30-10-2001
			EP 1053525 A2	22-11-2000
			EP 1051823 A1	15-11-2000
			EP 1060597 A2	20-12-2000
			EP 1051681 A1	15-11-2000
			EP 1058874 A1	13-12-2000
			EP 1051824 A1	15-11-2000
			US 6118391 A	12-09-2000
			WO 9935593 A1	15-07-1999
			WO 9935557 A2	15-07-1999
			WO 9935801 A1	15-07-1999
			WO 9935591 A2	15-07-1999
			WO 9935802 A2	15-07-1999
			WO 9935778 A2	15-07-1999
			US 6282294 B1	28-08-2001
			US 6289464 B1	11-09-2001
			US 2001050675 A1	13-12-2001
US 5732074	A	24-03-1998	AU 1525197 A	11-08-1997
			CA 2243454 A1	24-07-1997
			EP 0875111 A1	04-11-1998
			WO 9726750 A1	24-07-1997