



US00D991608S

(12) **United States Design Patent** (10) **Patent No.:** **US D991,608 S**
Kisch (45) **Date of Patent:** **** Jul. 4, 2023**

(54) **CONTAINER HANDLE**

FOREIGN PATENT DOCUMENTS

(71) Applicant: **Bercom International, LLC**,
Chanhassen, MN (US)

CA 2 938 278 2/2017
CA 2938278 A1 * 2/2017 B44D 3/14
(Continued)

(72) Inventor: **Steven Nicholas Kisch**, Zimmerman,
MN (US)

OTHER PUBLICATIONS

(73) Assignee: **Bercom International, LLC**,
Chanhassen, MN (US)

amazon.com Handy Paint Cup https://www.amazon.com/HANDY-1500-CC-Paint-Cup/dp/B001CSPGJY/ref=asc_df_B001CSPGJY/
(Year: 2013).*

(**) Term: **15 Years**

(Continued)

(21) Appl. No.: **29/751,996**

(22) Filed: **Sep. 24, 2020**

Primary Examiner — Kevin K Rudzinski
Assistant Examiner — Richard E Yenchesky
(74) *Attorney, Agent, or Firm* — James L. Young;
Westman, Champlin & Koehler P.A.

(51) **LOC (14) Cl.** **07-05**

(52) **U.S. Cl.**

USPC **D32/53.1**

(58) **Field of Classification Search**

USPC D32/53, 53.1

CPC B65D 25/2829; B44D 3/121; B44D 3/123;

B44D 3/128; B44D 3/12; B44D 3/126;

B44D 3/127

See application file for complete search history.

(57) **CLAIM**

The ornamental design for a container handle, as shown and described.

DESCRIPTION

FIG. 1 is a perspective view of the container handle, from the top, front and left side thereof;

FIG. 2 is a front view thereof;

FIG. 3 is a rear view thereof;

FIG. 4 is a side view thereof (as taken from the left side in FIG. 2);

FIG. 5 is a side view thereof (as taken from the right side in FIG. 2);

FIG. 6 is a top view thereof;

FIG. 7 is a bottom view thereof; and,

FIG. 8 is a perspective view thereof, from a bottom, rear and left side thereof.

The broken lines in the drawings showing the container illustrate environment that form no part of the claimed design.

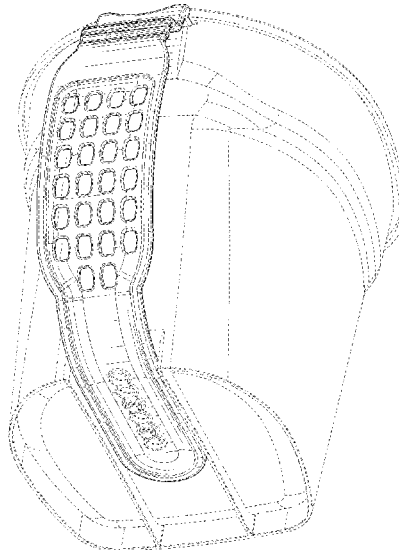
(56) **References Cited**

U.S. PATENT DOCUMENTS

1,304,415	A	5/1919	Tucker
1,590,572	A	6/1926	Fredette
1,734,976	A	11/1929	Mcclellan
1,950,505	A	3/1934	Matters
2,228,536	A	1/1941	Scalph
2,617,676	A	11/1952	Kinney, Jr.
2,626,737	A	1/1953	Pitz
2,709,540	A	5/1955	Kenney
2,765,969	A	10/1956	Bennington
3,014,621	A	12/1961	Povitz
3,107,028	A	10/1963	Robertis
3,115,916	A	12/1963	Stephens
3,116,947	A	1/1964	Brownrigg
3,138,280	A	6/1964	Schafer

(Continued)

1 Claim, 8 Drawing Sheets



(56)

References Cited

U.S. PATENT DOCUMENTS

3,139,646 A 7/1964 Vernon
 3,219,233 A 11/1965 Whiteford
 3,229,820 A 1/1966 Hentzi et al.
 3,309,000 A 3/1967 Haverstick
 3,317,232 A 5/1967 McFaul
 3,425,012 A 1/1969 Gottinger
 3,536,285 A 10/1970 Vaughn
 3,590,416 A 7/1971 Henningsen
 3,595,431 A 7/1971 Bird
 3,602,939 A 9/1971 Schoenholz
 3,682,352 A 8/1972 Doucette
 3,729,158 A 4/1973 Nagy
 3,828,389 A 8/1974 Heisler
 3,920,147 A 11/1975 Hiatt
 3,940,824 A 3/1976 Gioia et al.
 4,061,242 A 12/1977 Donlon
 4,101,046 A 7/1978 Puntillo
 4,133,604 A 1/1979 Fuller
 4,164,299 A 8/1979 Fuhr
 4,446,969 A 5/1984 Tyler
 4,491,293 A 1/1985 Tibbs
 4,519,565 A 5/1985 Whitmore
 4,556,245 A 12/1985 Gruenwald
 4,627,546 A 12/1986 Carranza
 4,702,395 A 10/1987 Nitsch
 4,791,030 A 12/1988 DeMars
 4,860,891 A 8/1989 Biggio
 4,865,282 A 9/1989 Yonkman et al.
 4,895,269 A 1/1990 Cade
 4,927,046 A * 5/1990 Armstrong B44D 3/121
 220/736
 4,928,873 A 5/1990 Johnson
 4,966,300 A 10/1990 Coonradt
 5,011,536 A 4/1991 Boom
 5,033,704 A 7/1991 Kerr
 5,083,733 A 1/1992 Marino et al.
 5,085,386 A 2/1992 Hicks et al.
 5,092,481 A 3/1992 Skelton
 5,147,067 A 9/1992 Effertz
 5,169,025 A 12/1992 Guo
 5,222,656 A 6/1993 Carlson
 5,269,095 A 12/1993 Helfman et al.
 5,277,733 A 1/1994 Effertz
 5,308,181 A 5/1994 Hull et al.
 5,320,249 A * 6/1994 Strech A47G 23/0216
 220/771
 5,320,279 A 6/1994 Giblin et al.
 5,400,916 A 3/1995 Weber
 5,413,231 A 5/1995 Carroll et al.
 5,429,262 A 7/1995 Sharkey
 5,440,785 A 8/1995 McDonald
 5,511,279 A 4/1996 Ippolito
 5,549,216 A 8/1996 Scholl
 5,570,807 A 11/1996 Busch
 5,624,093 A 4/1997 Gemmell
 5,641,087 A 6/1997 Moffitt
 5,746,346 A 5/1998 Crilly
 5,810,196 A 9/1998 Lundy
 RE35,933 E 10/1998 Scholl
 D401,116 S 11/1998 Demore
 5,836,469 A 11/1998 Zebrowski
 5,971,201 A 10/1999 Daw
 6,065,633 A 5/2000 Abbey
 6,102,235 A 8/2000 Stern et al.
 6,119,303 A 9/2000 Passafiume
 6,135,310 A 10/2000 Svehaug
 6,135,312 A 10/2000 Chen
 6,138,963 A 10/2000 Malvasio
 D435,728 S 1/2001 Miles et al.
 D444,929 S 7/2001 Cox

6,260,730 B1 7/2001 Fellman
 D458,723 S * 6/2002 Malvasio D32/53.1
 D460,845 S * 7/2002 Bergman D32/53.1
 6,417,293 B1 7/2002 Chorvath et al.
 6,419,106 B1 7/2002 Bebak
 6,446,829 B1 9/2002 Malvasio et al.
 D466,407 S 12/2002 Nance
 6,708,838 B2 3/2004 Bergman et al.
 D493,035 S 7/2004 Bergman
 6,929,225 B1 8/2005 Kent
 6,991,829 B2 1/2006 Bergman
 7,644,835 B2 1/2010 Bergman
 D661,855 S * 6/2012 Bergman D32/53.1
 8,556,116 B2 10/2013 Bergman et al.
 8,919,604 B2 12/2014 Bergman et al.
 9,409,200 B2 8/2016 Bergman et al.
 D783,917 S * 4/2017 Gringer D32/53.1
 D794,892 S 8/2017 Bergman et al.
 10,077,138 B2 * 9/2018 Albrecht B65D 25/2888
 D838,072 S 1/2019 Bergman et al.
 10,266,306 B2 4/2019 Bergman
 D867,708 S 11/2019 Bergman et al.
 D940,985 S 1/2022 Bergman et al.
 2002/0036206 A1 * 3/2002 Bergman B65D 25/2802
 220/754
 2002/0056714 A1 5/2002 Schinkel
 2002/0117592 A1 8/2002 Traylor
 2002/0185509 A1 12/2002 Wichman et al.
 2004/0118861 A1 6/2004 Bergman et al.
 2005/0156085 A1 7/2005 Radovan
 2005/0184077 A1 8/2005 Martinson
 2006/0219720 A1 * 10/2006 Lundy B44D 3/12
 220/505
 2007/0012705 A1 * 1/2007 Bergman B65D 25/282
 220/696
 2007/0295768 A1 * 12/2007 Gringer B65D 25/2829
 222/570
 2010/0176140 A1 7/2010 Bergman
 2014/0014670 A1 1/2014 Bergman et al.
 2015/0090747 A1 4/2015 Bergman et al.
 2016/0311579 A1 10/2016 Bergman et al.
 2017/0113838 A1 4/2017 Bergman
 2017/0129277 A1 5/2017 Rogowski et al.
 2018/0043732 A1 * 2/2018 Gringer B44D 3/121
 2019/0217991 A1 7/2019 Bergman et al.
 2022/0089328 A1 * 3/2022 Kisch B44D 3/121

FOREIGN PATENT DOCUMENTS

CA 2846733 11/2017
 GB 126 943 5/1918
 GB 195523 7/1922
 GB 126943 * 3/2021
 JP H10287339 10/1998

OTHER PUBLICATIONS

lowes.com handy paint pail <https://www.lowes.com/pd/HANDy-32-fl-oz-Paint-Pail/50301801> (Year: 2015).
 Amazon.com_ Handy Paint Pail (10/2/https://www.amazon.com/Paint-Efficient-Clean-ups-Integrated-Magnetic/dp/B000BZTGBS/ref=sr_l_l_sspa) (Year: 2001).
 Illustration (from SPORTY's website showing a "Painter's Helper" ID#: 1610T) of the paint container manufactured by Aqua-Trainer Co., of Shorewood, Illinois, (published as of Aug. 31, 2001).
 amazon.com Handy Paint Cup https://www.amazon.com/HANDy-1500-CC-Paint-Cup/dp/B001CSPGJY/ref=asc_df_B001CSPGJY/ (Year: 2013) 20 pages.
 lowes.com handy paint pail <https://www.lowes.com/pd/HANDy-32-fl-oz-Paint-Pail/50301801> (Year: 2015) 15 pages.

* cited by examiner

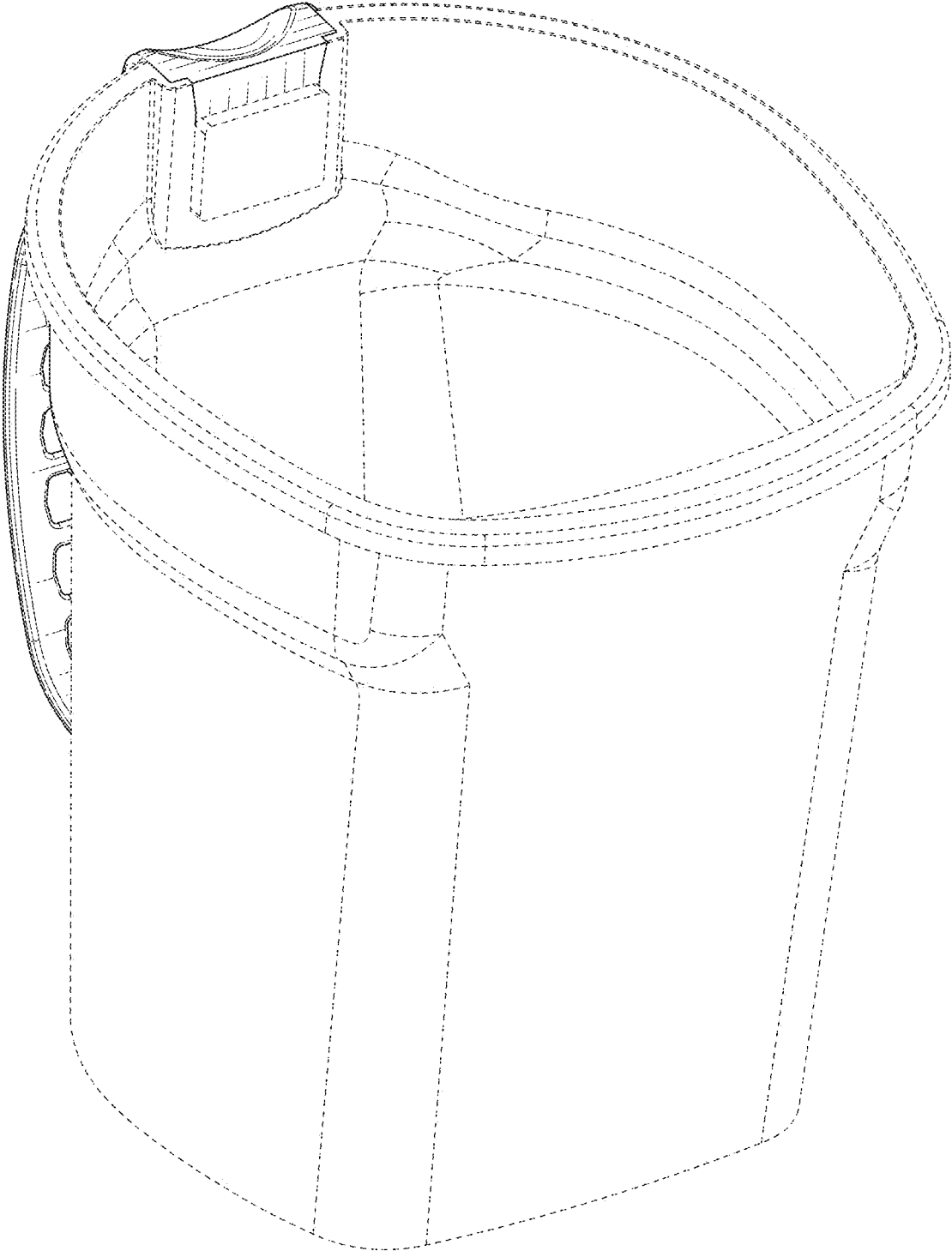


FIG. 1

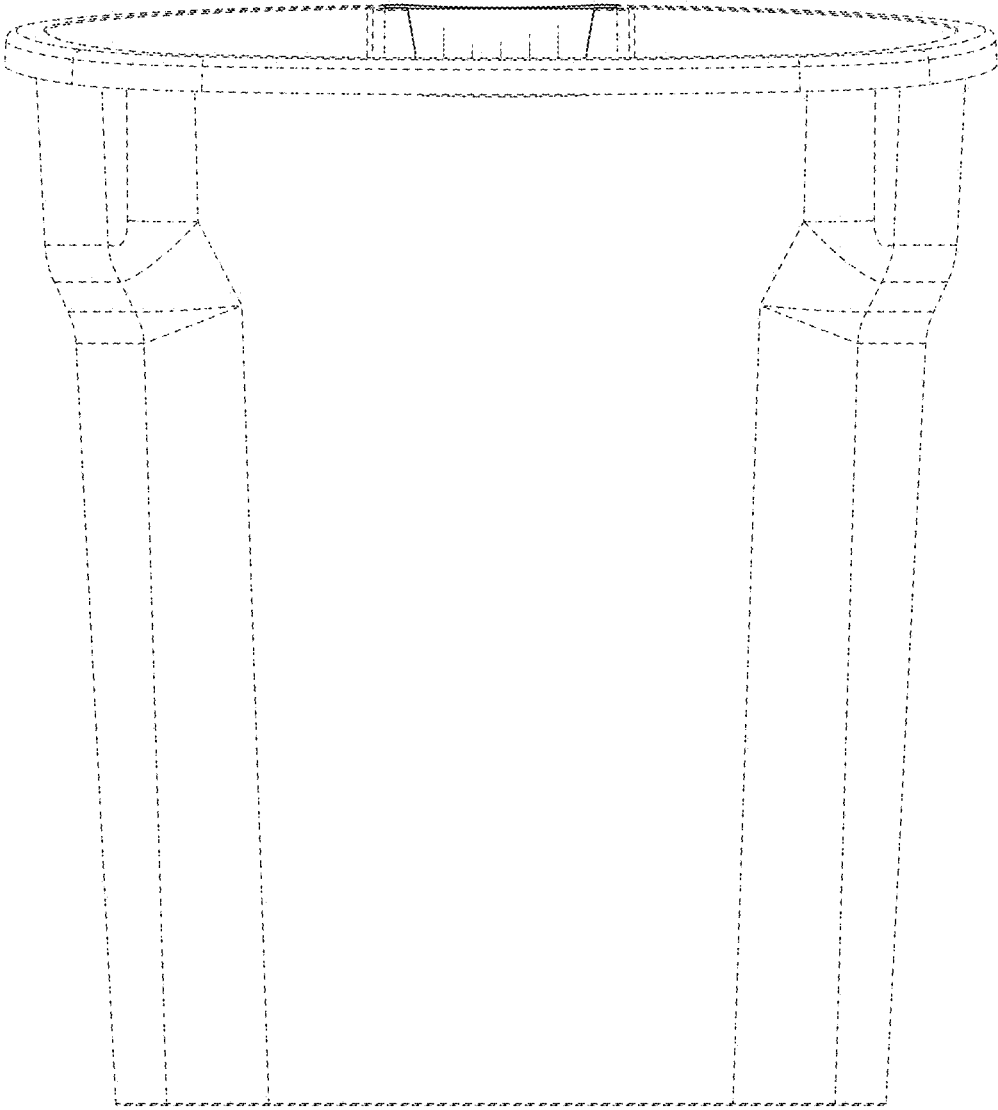


FIG. 2

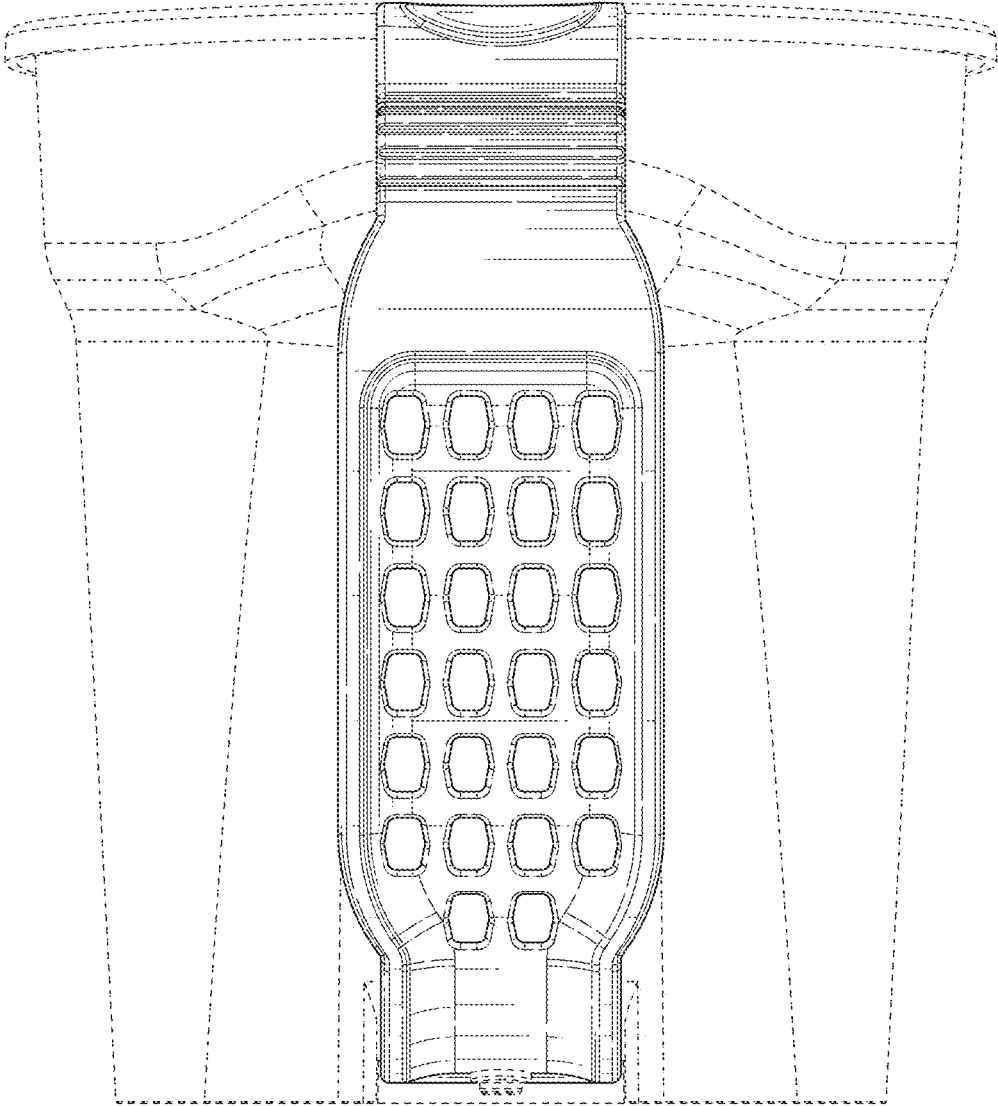


FIG. 3

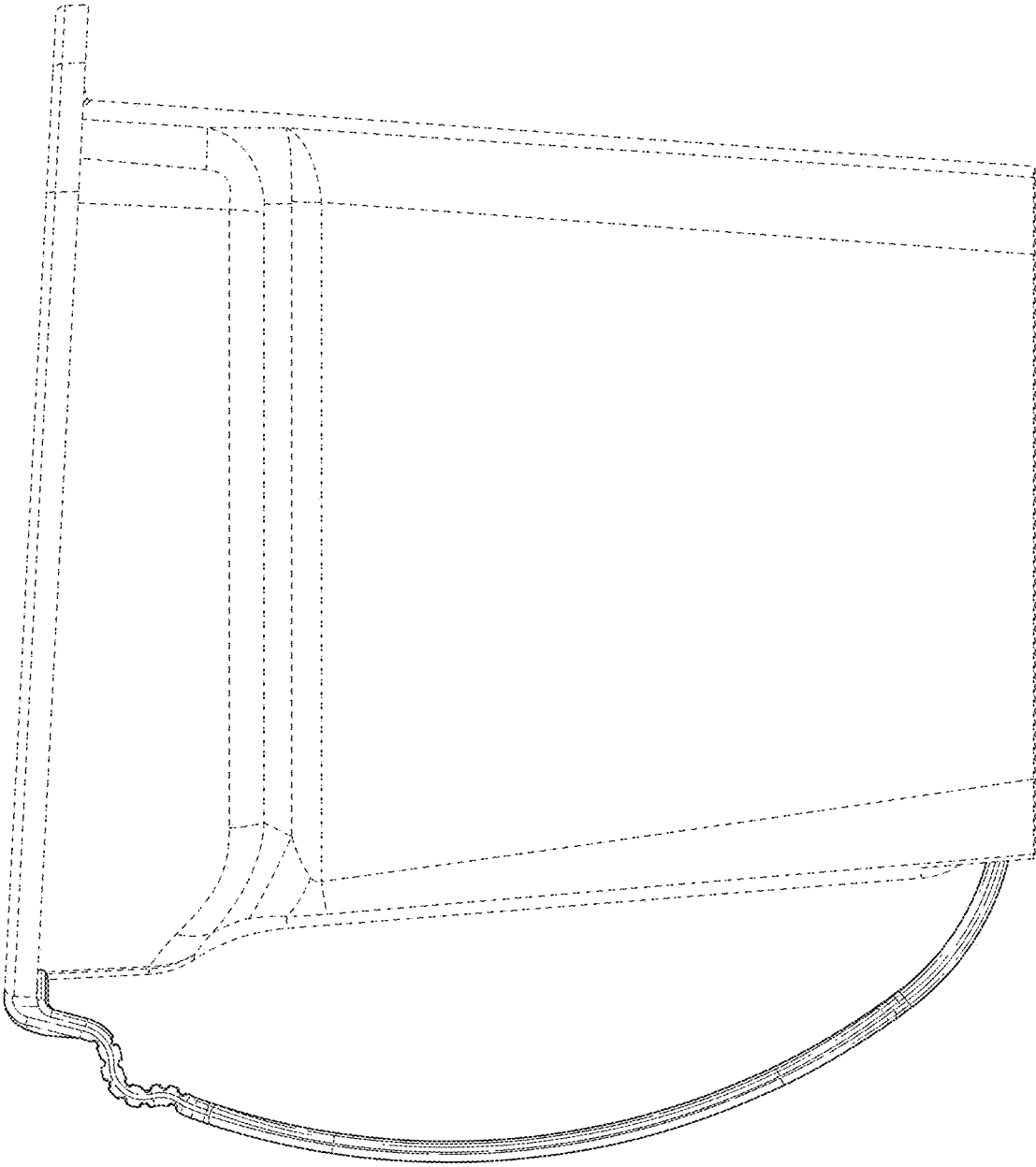


FIG. 4

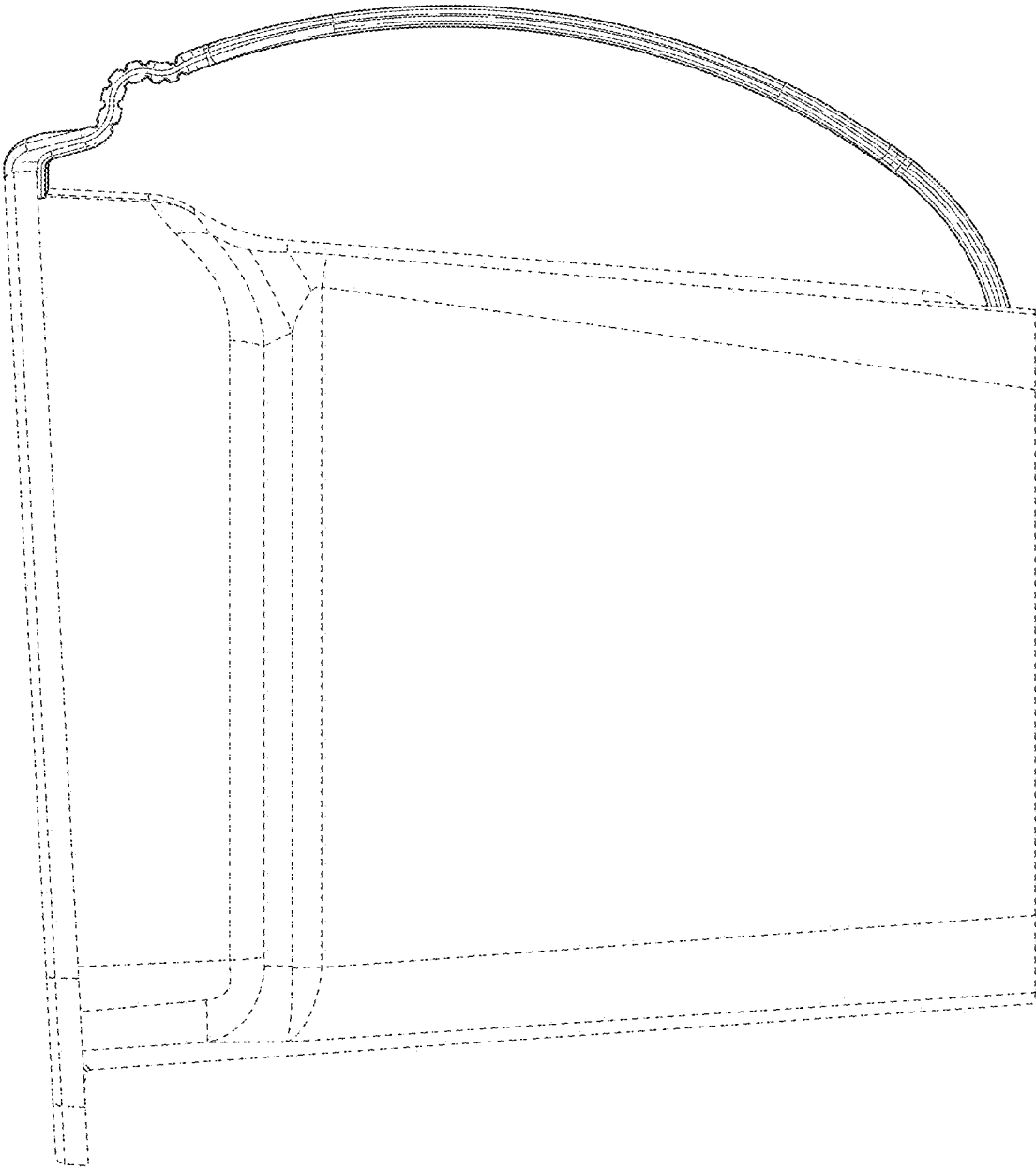


FIG. 5

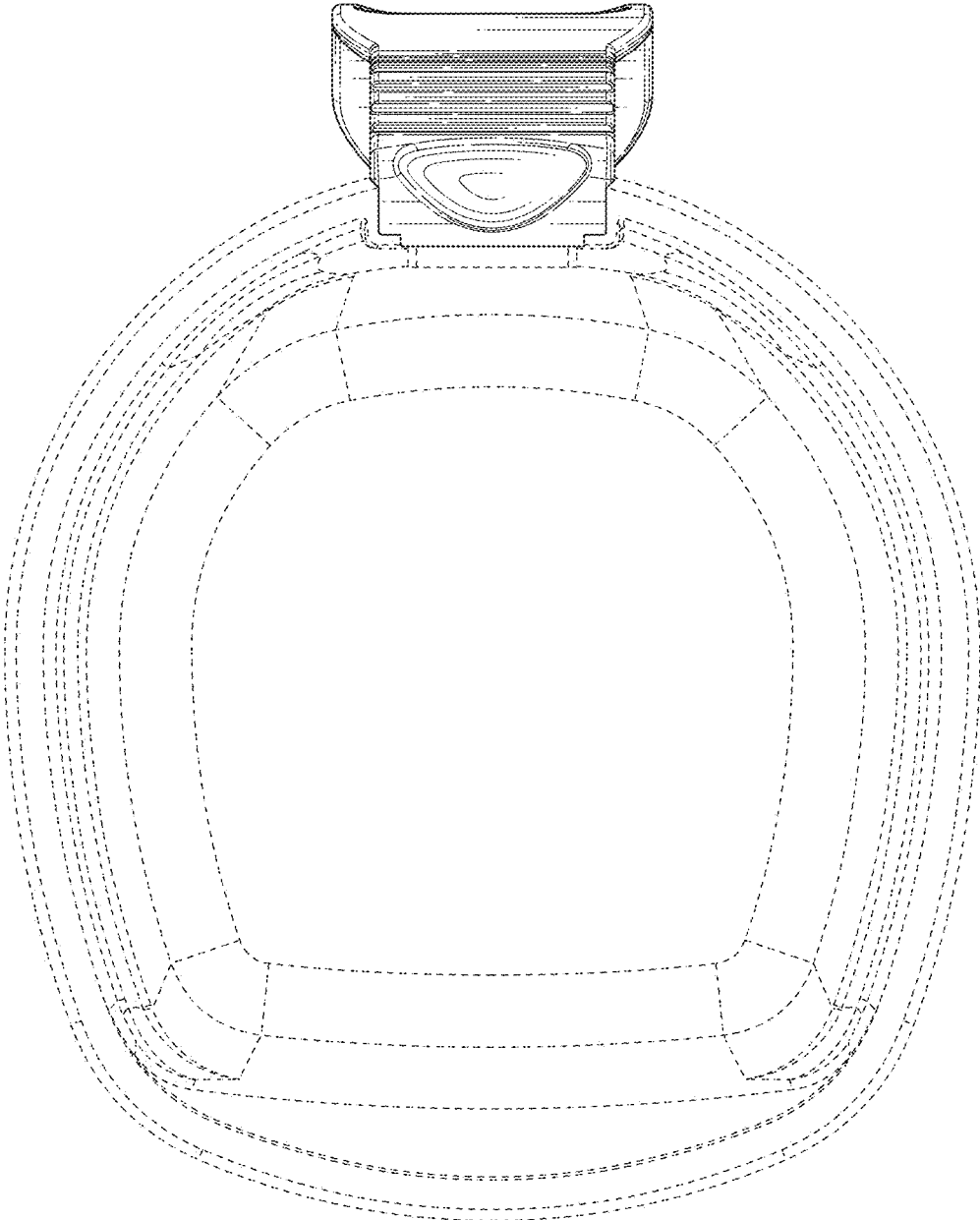


FIG. 6

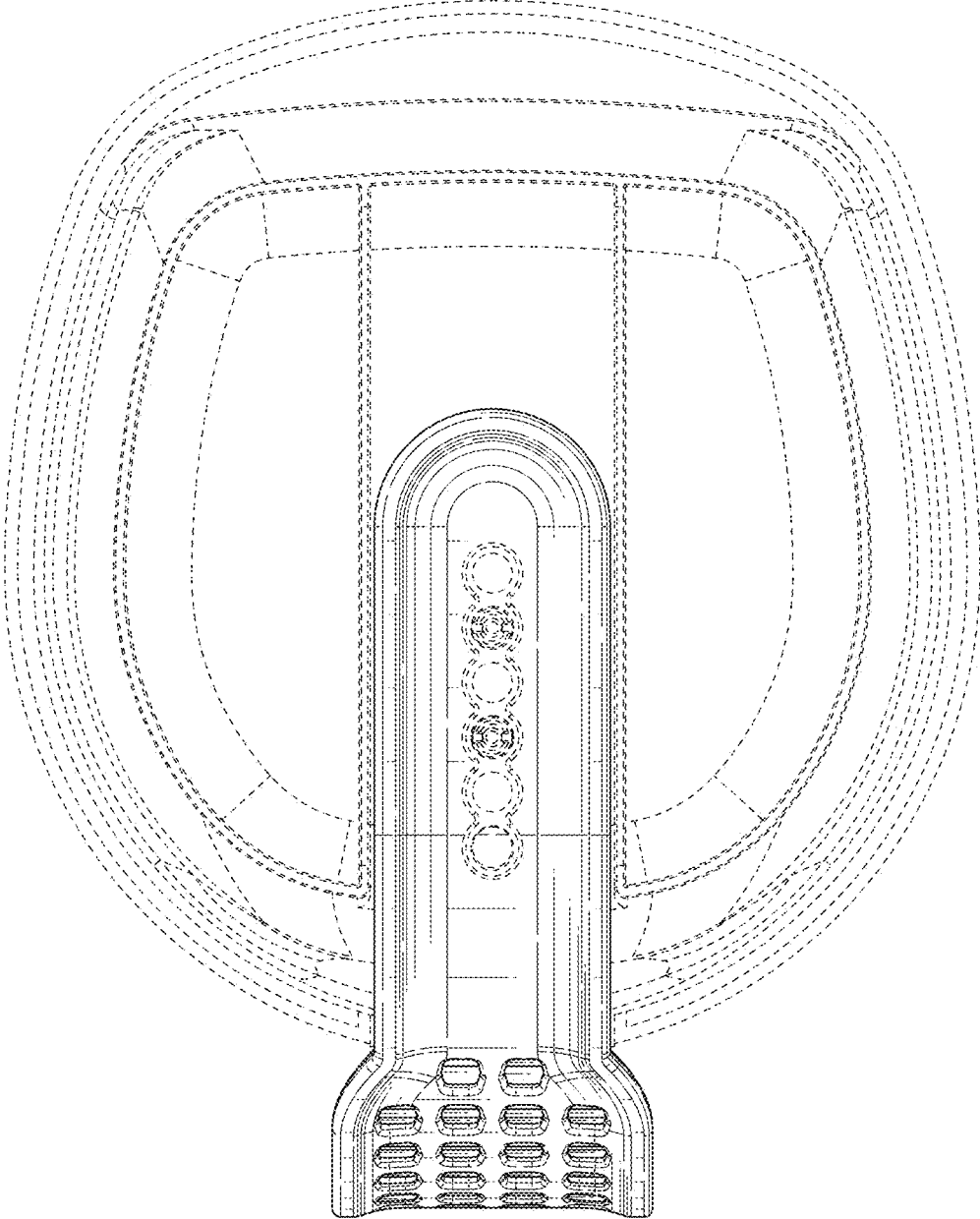


FIG. 7

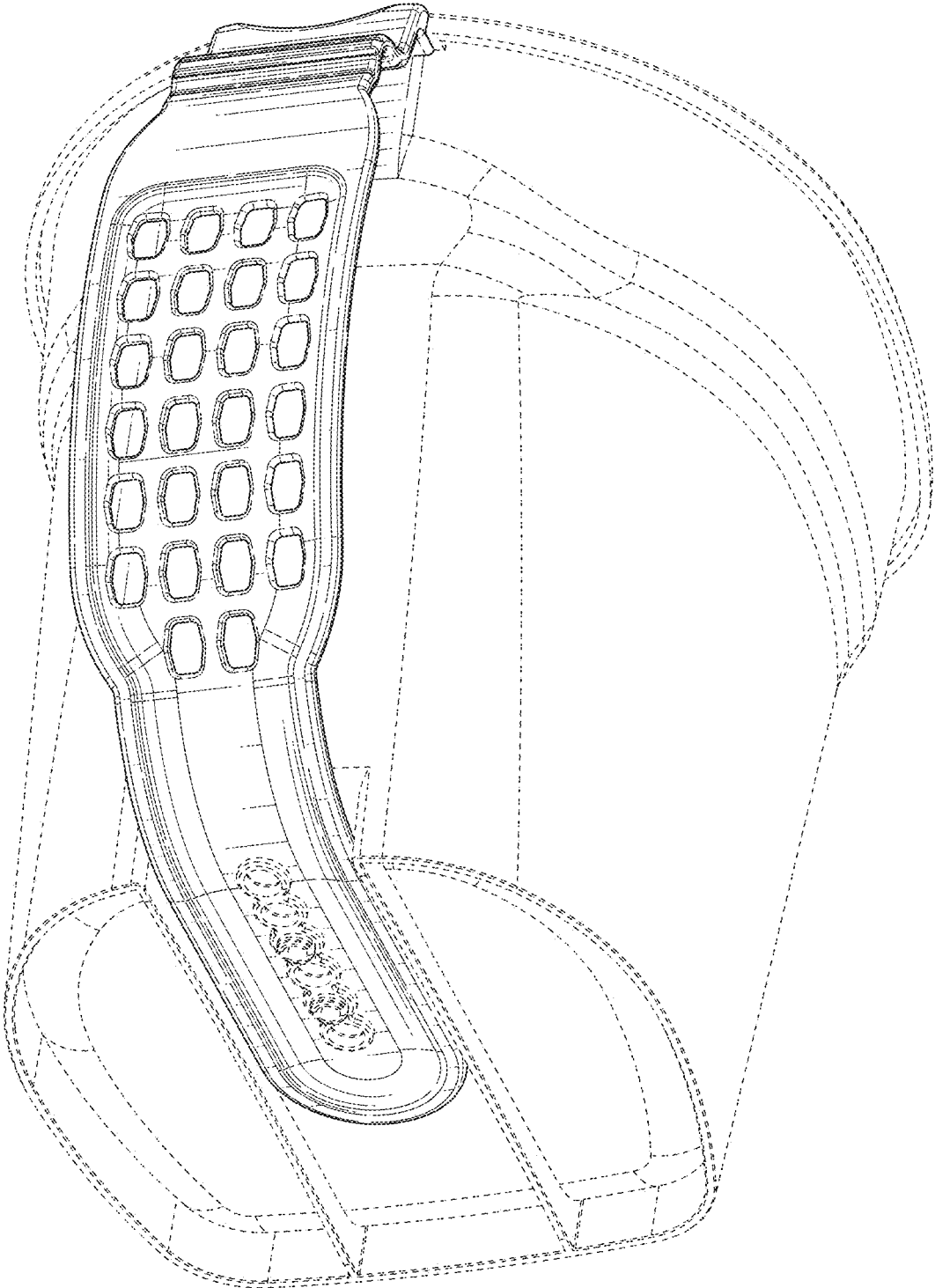


FIG. 8