



US00D722004S

(12) **United States Design Patent**
Kanczuzewski et al.

(10) **Patent No.:** **US D722,004 S**
(45) **Date of Patent:** **** Feb. 3, 2015**

- (54) **CARGO RESTRAINT STRAP**
- (71) Applicant: **Logistick, Inc.**, South Bend, IN (US)
- (72) Inventors: **Nicholas Kanczuzewski**, Mishawaka, IN (US); **John E. Townsend**, Paw Paw, IN (US)
- (73) Assignee: **Logistick, Inc.**, South Bend, IN (US)
- (**) Term: **14 Years**

2,912,939 A	11/1959	Miner, Jr. et al.
2,980,037 A	4/1961	Elsner
2,993,708 A	7/1961	Holman, Jr.
3,177,007 A	4/1965	Oren
3,344,750 A	10/1967	Kostrewa
3,559,591 A	2/1971	Breen et al.
3,590,746 A	7/1971	Gibson
3,712,663 A	1/1973	Laven
D232,821 S	9/1974	Fry
3,836,174 A	9/1974	Holman
3,995,565 A	12/1976	Kersey

(Continued)

(21) Appl. No.: **29/435,879**

FOREIGN PATENT DOCUMENTS

(22) Filed: **Oct. 30, 2012**

GB 1209255 10/1970

(51) **LOC (10) Cl.** **12-06**

OTHER PUBLICATIONS

(52) **U.S. Cl.**

USPC **D12/223**

Logistick Disposable Cargo Strap Advertisement (2000).
(Continued)

(58) **Field of Classification Search**

USPC D8/349, 354, 382, 355, 356, 373, 380;
D12/223, 400; 410/44, 46, 96,
410/121.144, 152

Primary Examiner — Sheryl Lane
(74) *Attorney, Agent, or Firm* — Barnes & Thornburg LLP

See application file for complete search history.

(57) **CLAIM**

The ornamental design for a cargo restraint strap, as shown and described.

(56) **References Cited**

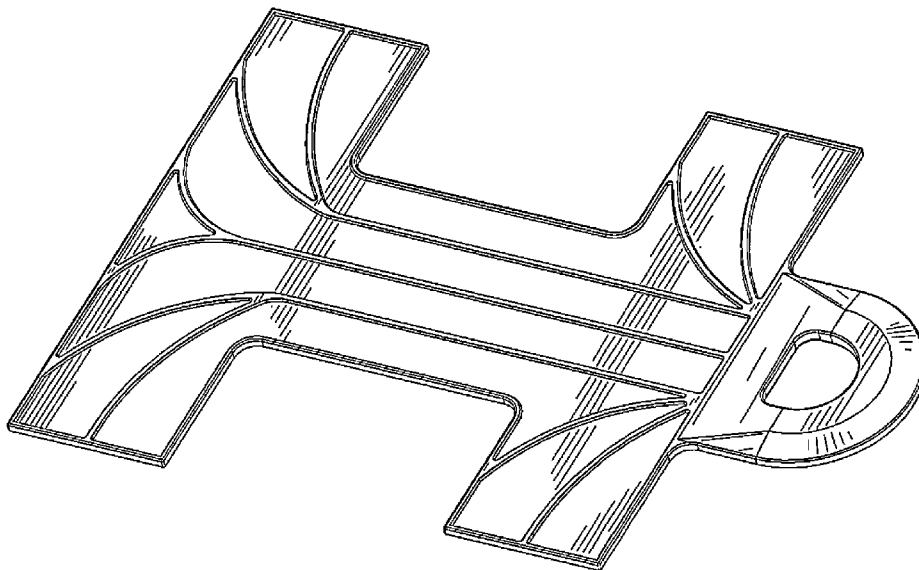
U.S. PATENT DOCUMENTS

969,002 A	8/1910	Teachout
1,401,419 A	12/1921	Menally
1,951,660 A	3/1934	Klaudt
2,124,082 A	7/1938	Reifer
2,414,160 A	1/1947	Moon
2,464,080 A	3/1949	Hankins
2,467,681 A	4/1949	McKinney
2,468,101 A	4/1949	Nampa
2,468,104 A	4/1949	Phillips
2,697,631 A	12/1954	Miller
2,752,864 A	7/1956	McDougal, Sr. et al.
2,766,704 A	10/1956	McMahon
2,845,245 A	5/1958	Gray et al.
2,905,107 A	9/1959	Nichol

DESCRIPTION

FIG. 1 is a perspective view of the top of an ornamental design for a cargo restraint strap;
FIG. 2 is a front view of the strap of FIG. 1;
FIG. 3 is a rear view of the strap of FIG. 1;
FIG. 4 is a view of a first side of the strap of FIG. 1;
FIG. 5 is a view of the second side of the strap of FIG. 1;
FIG. 6 is a top view of the strap of FIG. 1; and,
FIG. 7 is a bottom view of the strap of FIG. 1.

1 Claim, 2 Drawing Sheets



(56)

References Cited

U.S. PATENT DOCUMENTS

4,026,508 A 5/1977 Ziegler
 4,080,906 A 3/1978 Brown
 D248,228 S 6/1978 Robertson
 4,264,251 A 4/1981 Blatt
 4,278,376 A 7/1981 Hunter
 4,396,325 A 8/1983 Joice-Cavanagh
 4,432,678 A 2/1984 Liebel
 4,498,824 A 2/1985 Kinkle
 4,616,757 A 10/1986 Hobson
 4,700,918 A 10/1987 Andrasko, Jr.
 4,735,468 A 4/1988 Taylor, Jr. et al.
 4,756,498 A 7/1988 Frye
 4,801,228 A 1/1989 Van Gompel
 4,830,558 A 5/1989 Sweeney
 4,846,610 A 7/1989 Schoenleben
 4,880,342 A 11/1989 Pradovic
 4,932,817 A 6/1990 Mattare
 4,955,771 A 9/1990 Bott
 4,962,907 A 10/1990 Gary
 4,982,922 A 1/1991 Krause
 5,028,184 A 7/1991 Krause
 5,156,110 A 10/1992 Fuller
 5,219,251 A 6/1993 Kancuzewski
 5,259,712 A 11/1993 Wayne

5,281,063 A 1/1994 Austin, III
 5,320,464 A 6/1994 Long et al.
 5,326,204 A 7/1994 Carlson et al.
 5,362,184 A 11/1994 Hull et al.
 5,370,482 A 12/1994 Long
 5,494,389 A 2/1996 Kancuzewski
 5,688,087 A 11/1997 Stapleton et al.
 D395,998 S 7/1998 Ballinger
 5,807,047 A 9/1998 Cox
 6,086,299 A 7/2000 Kancuzewski
 6,106,205 A 8/2000 Haire
 D462,310 S 9/2002 Kancuzewski et al.
 6,533,513 B2 3/2003 Kancuzewski et al.
 D478,857 S 8/2003 Petersen et al.
 6,874,982 B2 4/2005 Rhodes
 7,356,888 B2 * 4/2008 Chao et al. 24/442
 7,713,008 B2 5/2010 Kancuzewski et al.
 8,425,166 B2 4/2013 Kancuzewski et al.

OTHER PUBLICATIONS

“International Strap Instructions: Complete Installation Guide for the International Strap . . .” Logistick, Inc., retrieved from the Internet at: www.logistick.com/catalog/116-international-strap, Date of Publication is prior to Oct. 30, 2012 (Admitted Prior Art), pp. 1-2.

* cited by examiner

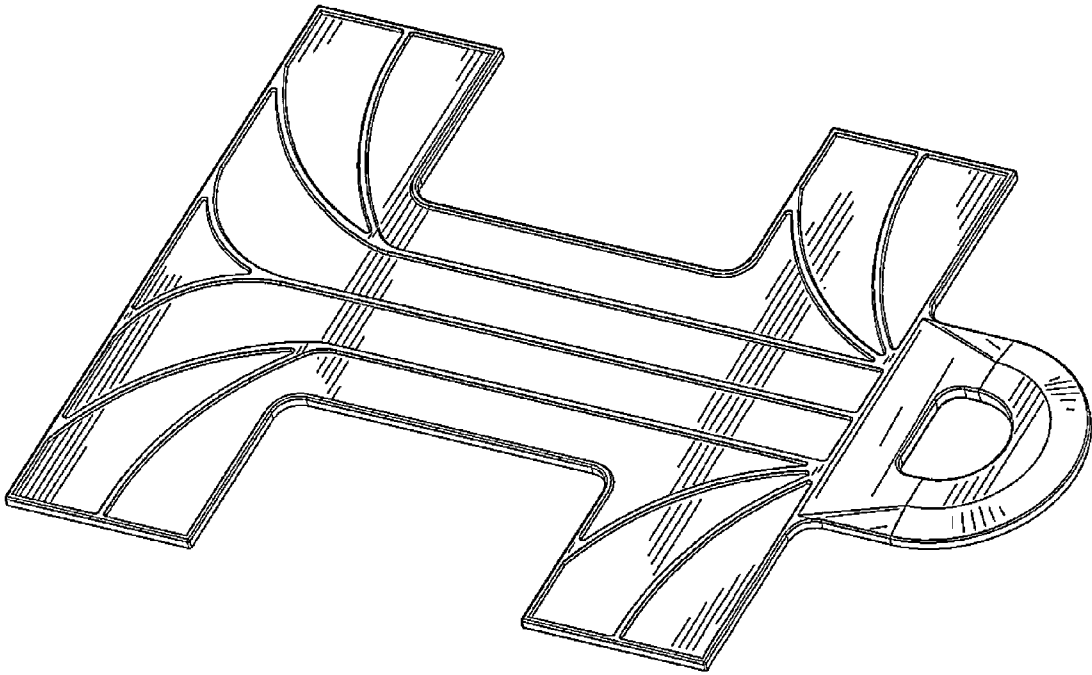


FIG. 1



FIG. 2



FIG. 3



FIG. 4

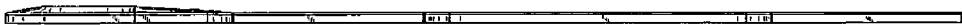


FIG. 5

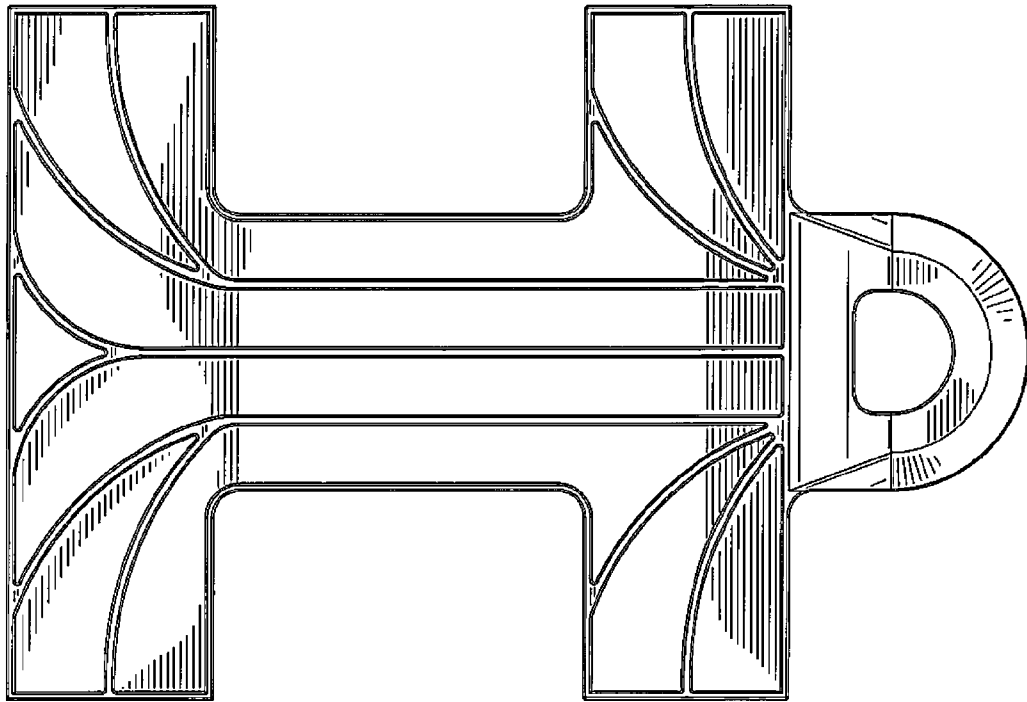


FIG. 6

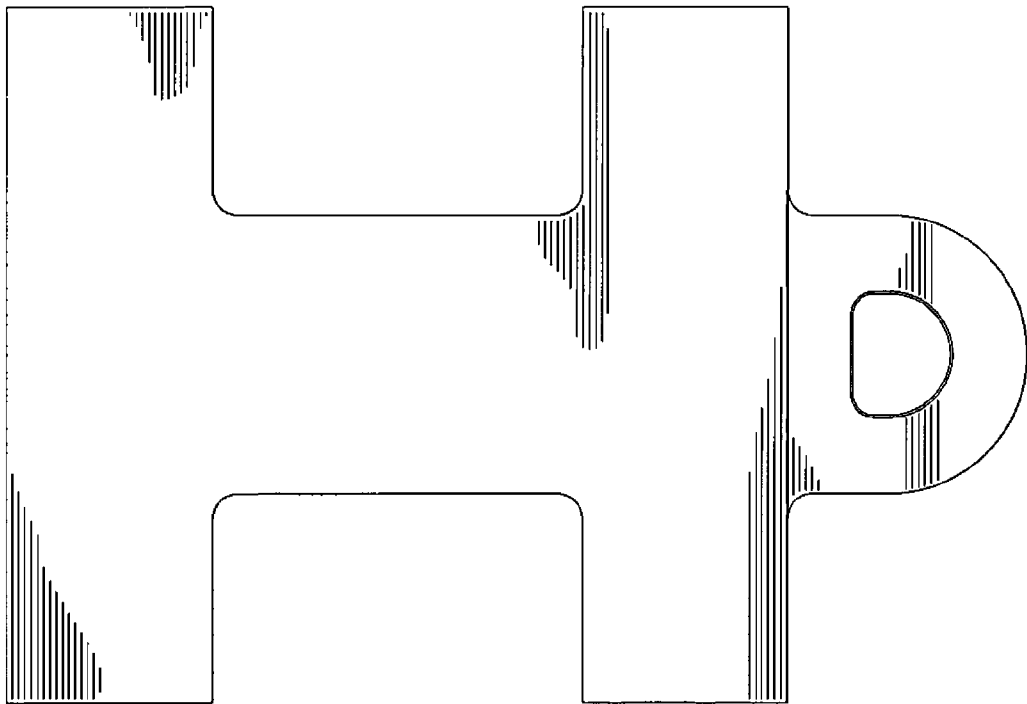


FIG. 7