



US00D766739S

(12) **United States Design Patent** (10) **Patent No.:** **US D766,739 S**  
**Pheir** (45) **Date of Patent:** **\*\* Sep. 20, 2016**

(54) **CONTAINER HAVING ROUNDED COMPARTMENTS**

3,295,710 A 1/1967 Marchant  
3,386,607 A \* 6/1968 Keene ..... B65D 1/225  
206/140

(71) Applicant: **Hirshol H. Pheir**, St. Thomas, VI (US)

(Continued)

(72) Inventor: **Hirshol H. Pheir**, St. Thomas, VI (US)

FOREIGN PATENT DOCUMENTS

(\*\*) Term: **14 Years**

DE 102 07 763 A1 9/2003  
FR 1 503 901 12/1967

(21) Appl. No.: **29/517,512**

(Continued)

(22) Filed: **Feb. 13, 2015**

OTHER PUBLICATIONS

(51) **LOC (10) Cl.** ..... **09-03**

PCT International Search Report and Written Opinion, International Application No. PCT/US2015/015750, Dated Sep. 30, 2015, pp. 1-11.

(52) **U.S. Cl.**

USPC ..... **D9/756**

(Continued)

(58) **Field of Classification Search**

USPC ..... D9/737, 738, 740, 741, 747, 756, 782,  
D9/516, 561, 414, 430; D7/509, 512, 513,  
D7/523, 541, 549, 555, 557, 584, 308, 312,  
D7/315, 325, 601, 602, 701, 707, 619.1;  
D34/1, 5-7; D3/202, 201, 315, 316;  
D6/663; 220/908-910, 500, 404, 401,  
220/23.2, 23.6, 23.83; 312/198, 237, 238,  
312/279, 385  
CPC ..... B65D 11/00; B65D 25/04; B65D 1/04;  
B65D 21/0201; B65D 25/38; B65D 43/168;  
B65D 5/02; B65D 5/067; B65D 81/025;  
Y10S 52/10

*Primary Examiner* — Cathron Brooks  
*Assistant Examiner* — Teddy Falloway  
(74) *Attorney, Agent, or Firm* — Gibb & Riley, LLC

(57) **CLAIM**

The ornamental design for a container having rounded compartments, as shown and described.

See application file for complete search history.

**DESCRIPTION**

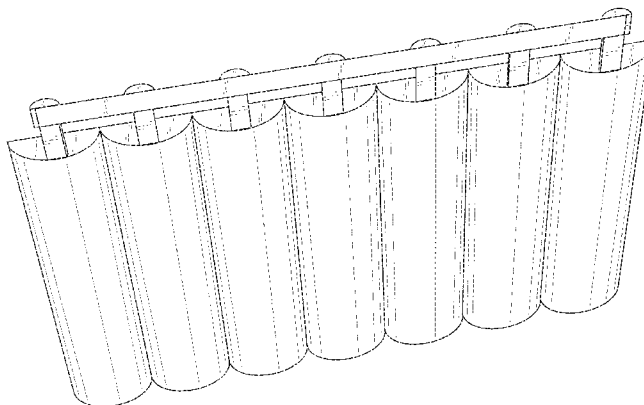
This application is related to the following co-pending applications filed concurrently herewith by the same Applicant: “Multi-Compartment Roll-Up Container” Ser. No. 14/621,542, “Multi-Compartment Roll-Up Container-Tri-angle”, Ser. No. 29/517,510, and “Multi-Compartment Roll-Up Container-Rounded Different Sizes”, Ser. No. 29/517, 514. The complete disclosures of these co-pending applications are incorporated herein by reference. FIG. 1 is a top perspective view of a container having rounded compartments showing our new design; FIG. 2 is a front elevation view thereof; FIG. 3 is a rear elevation view thereof; FIG. 4 is a left elevation view thereof; FIG. 5 is a right elevation view thereof; FIG. 6 is a top plan view thereof; and, FIG. 7 is a bottom plan view thereof.

(56) **References Cited**

U.S. PATENT DOCUMENTS

1,035,258 A \* 8/1912 Stegman ..... B65D 5/5495  
206/258  
1,190,196 A 7/1916 Schweinert et al.  
2,665,816 A 1/1954 Anft  
2,726,004 A \* 12/1955 McLeod ..... B65D 7/02  
220/23.2  
2,845,976 A 8/1958 Miller  
D197,862 S \* 3/1964 Wills et al. .... 206/471  
D197,863 S \* 3/1964 Wills et al. .... D9/756  
3,206,897 A 9/1965 Hilker  
3,257,154 A \* 6/1966 Lewis ..... A47B 49/00  
312/198

**1 Claim, 6 Drawing Sheets**



(56)

References Cited

U.S. PATENT DOCUMENTS

3,559,866 A 2/1971 Olson, Sr.  
 3,785,545 A \* 1/1974 Roussel ..... B65D 5/5495  
 206/431  
 4,004,501 A 1/1977 Guerrero  
 4,081,101 A 3/1978 West  
 4,126,239 A 11/1978 Gehrig et al.  
 4,320,846 A 3/1982 Meyering  
 4,326,628 A 4/1982 Wood  
 4,799,590 A 1/1989 Furman  
 4,890,741 A 1/1990 Edelstein  
 D324,121 S 2/1992 Schierlinger  
 5,135,823 A 8/1992 Eales  
 5,344,006 A 9/1994 Mazzeo  
 5,351,815 A 10/1994 Fogle et al.  
 5,351,816 A 10/1994 Sutherland et al.  
 5,615,765 A \* 4/1997 Roericht ..... A45C 11/04  
 206/45.23  
 5,676,253 A 10/1997 Hsu  
 5,676,274 A 10/1997 Green et al.  
 5,752,464 A 5/1998 King  
 5,823,136 A 10/1998 Zarski  
 D407,306 S \* 3/1999 Saab ..... D7/701  
 D415,023 S 10/1999 Snyder  
 D463,120 S 9/2002 Yoshinaka  
 D468,535 S 1/2003 McCormack  
 D489,271 S 5/2004 Soomar  
 D556,321 S \* 11/2007 Starnes ..... D24/115  
 D570,682 S 6/2008 Erden  
 7,665,634 B2 2/2010 Pressler  
 7,810,667 B2 10/2010 Douglas

8,338,357 B2 12/2012 Gibis et al.  
 D702,998 S 4/2014 Fugere  
 D711,254 S 8/2014 Madda et al.  
 D711,255 S 8/2014 Madda et al.  
 D724,893 S \* 3/2015 Dirks ..... D7/507  
 9,084,480 B2 \* 7/2015 Atwood  
 D735,994 S 8/2015 Mangano  
 9,199,767 B1 \* 12/2015 Phair ..... B65D 25/04  
 2004/0149774 A1 8/2004 Strong  
 2010/0072265 A1 3/2010 Holloway  
 2010/0243499 A1 9/2010 Slayton et al.  
 2011/0095021 A1 4/2011 Clough  
 2013/0206772 A1 8/2013 Halbherr et al.

FOREIGN PATENT DOCUMENTS

GB 2 305 162 4/1997  
 WO 01/44065 A1 6/2001  
 WO 2005/110872 A1 11/2005

OTHER PUBLICATIONS

Notice of Allowance Communication, U.S. Appl. No. 14/621,542,  
 Dated Sep. 24, 2015, pp. 1-9.  
 Notice of Allowance Communication, U.S. Appl. No. 29/517,510,  
 Dated Mar. 23, 2016, pp. 1-8.  
 Office Action Communication, U.S. Appl. No. 29/517,514, dated  
 Mar. 18, 2016, pp. 1-8.  
 Notice of Allowance Communication, U.S. Appl. No. 29/517,514  
 Dated Jun. 29, 2016, pp. 1-5.

\* cited by examiner

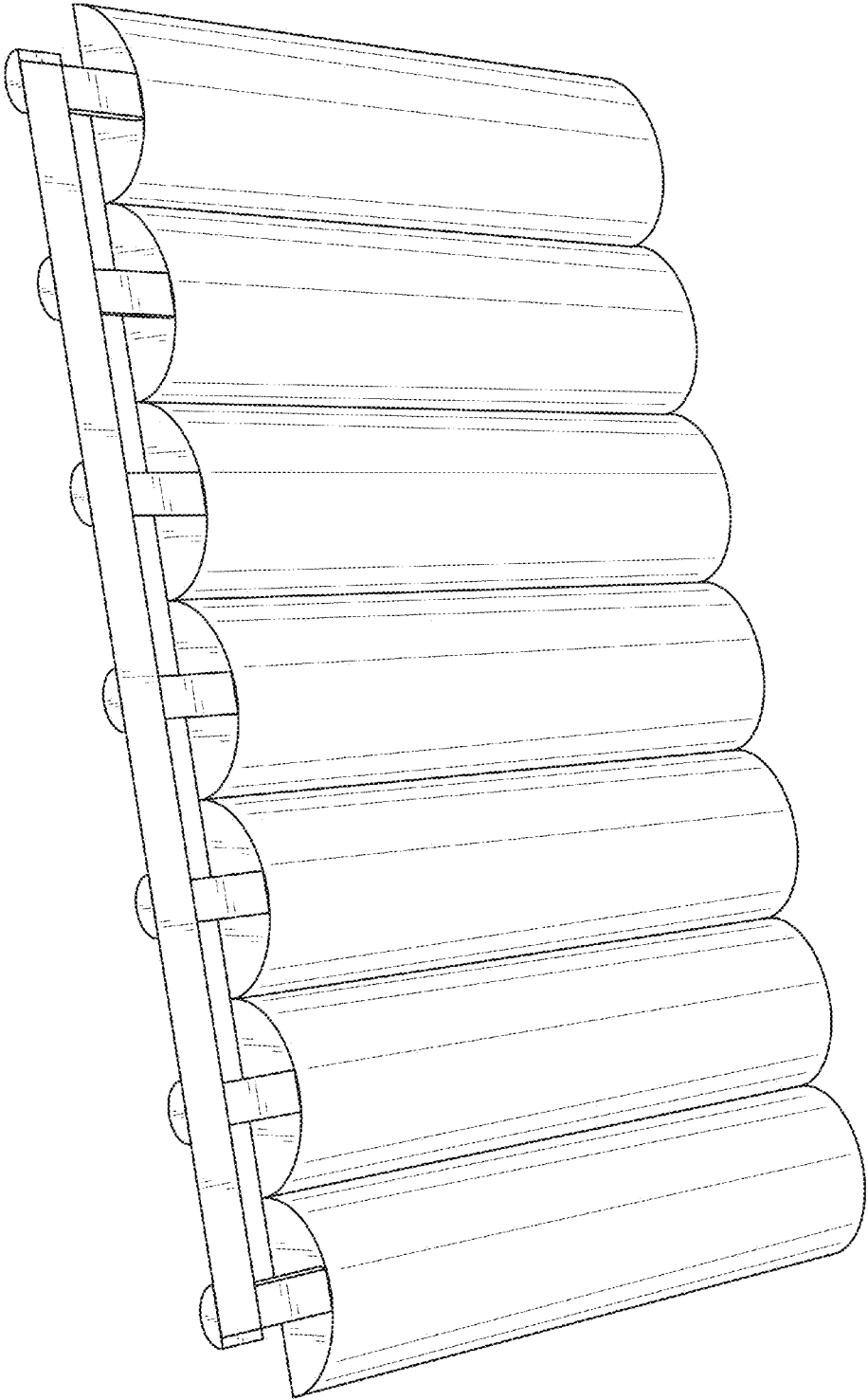


FIG. 1

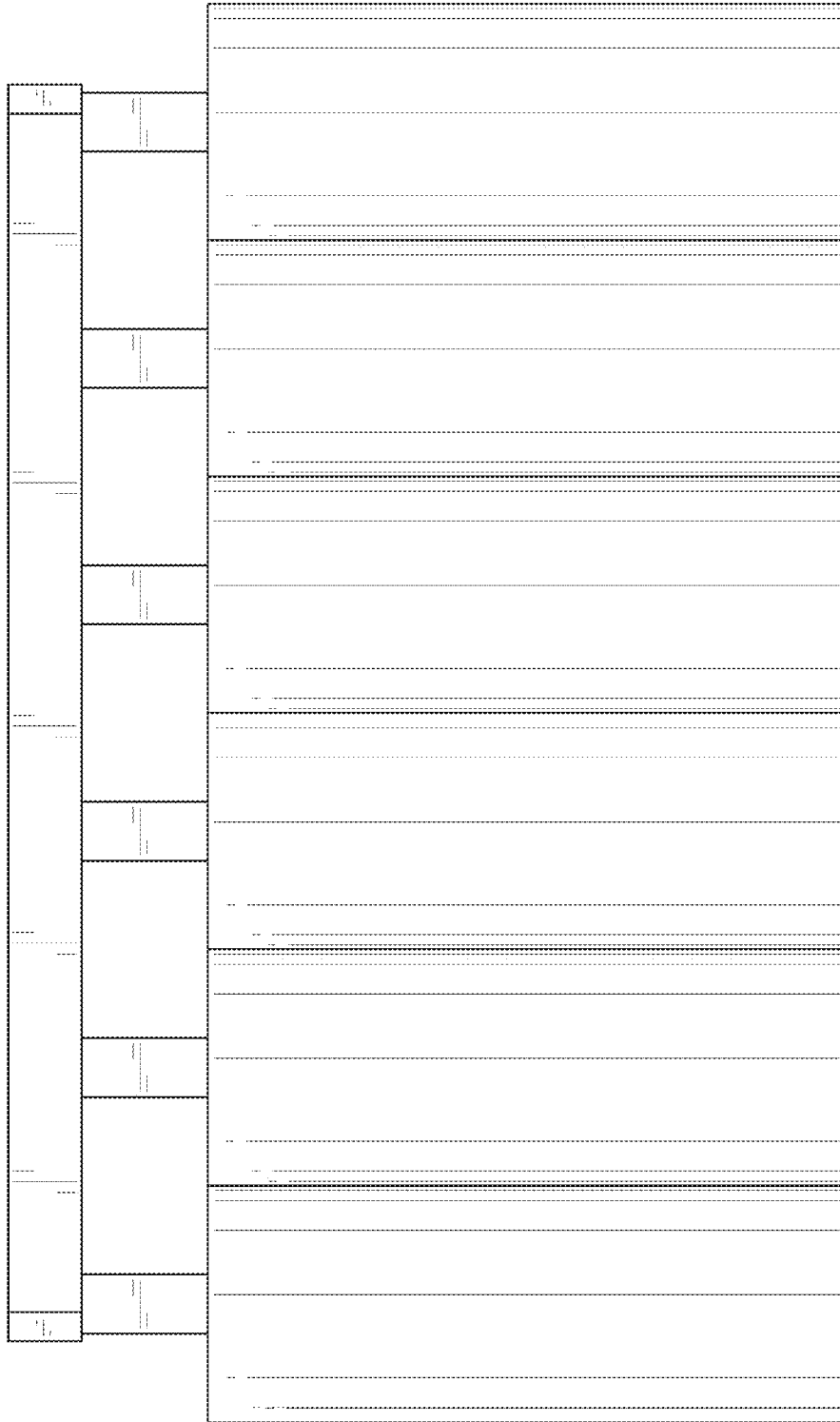


FIG. 2

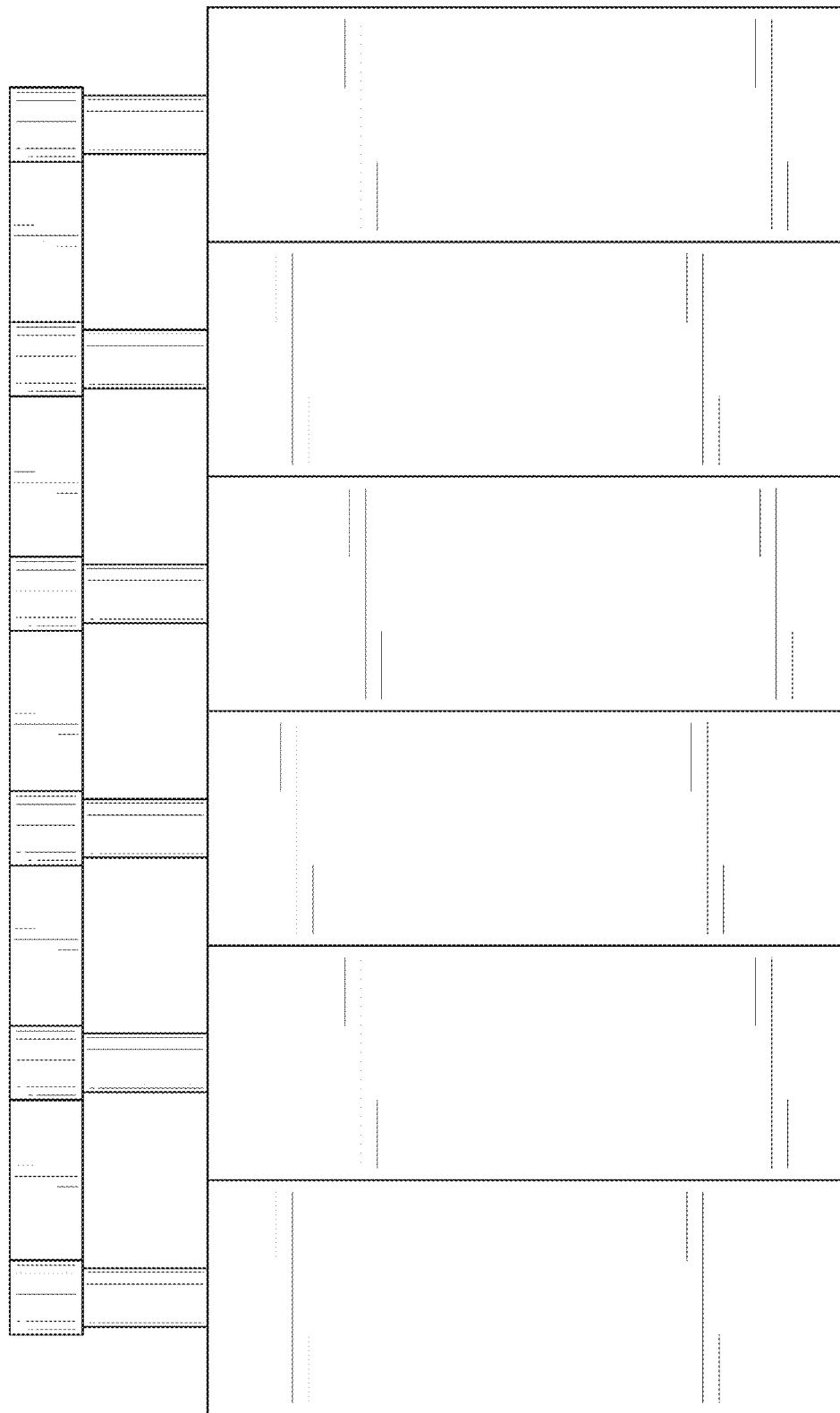


FIG. 3

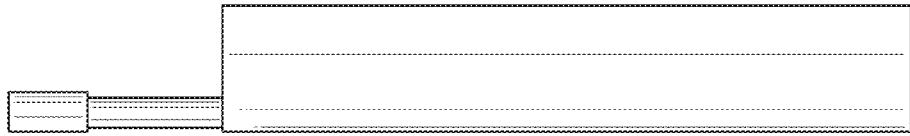


FIG. 5

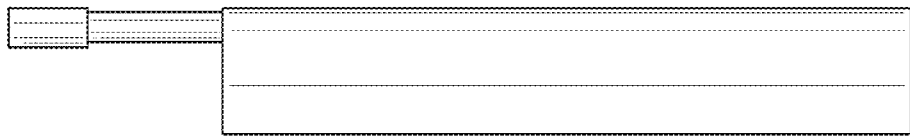


FIG. 4

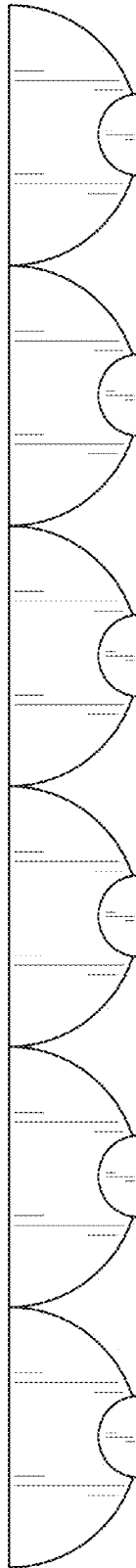


FIG. 6



FIG. 7