

US00D390712S

United States Patent [19]

[11] Patent Number: **Des. 390,712**

Koepke et al.

[45] Date of Patent: ****Feb. 17, 1998**

[54] CHAIR

[75] Inventors: **Marcus Koepke, Carmel; Ralph L. Langen, Santa Claus; Neil Broeker, Oakland City, all of Ind.**

[73] Assignee: **Kimball International, Inc., Jasper, Ind.**

[**] Term: **14 Years**

[21] Appl. No.: **62,655**

[22] Filed: **Nov. 21, 1996**

[51] LOC (6) CL **06-01**

[52] U.S. CL **D6/366; D6/360**

[58] Field of Search **D6/334, 360, 364, D6/365, 366, 367, 500, 501, 502; 297/411.36, 411.4**

[56] **References Cited**

U.S. PATENT DOCUMENTS

D. 206,118	11/1966	Bates	D6/360
D. 211,461	6/1968	Walkinshaw	D6/366
D. 252,781	9/1979	Ball	D6/366
D. 264,643	6/1982	Pelly	D6/366
D. 275,054	8/1984	Aronowitz et al.	D6/360
D. 288,872	3/1987	Schultz	D6/366
D. 296,394	6/1988	Chadwick et al.	D6/366
D. 327,781	7/1992	Citterio	D6/366
D. 327,782	7/1992	Citterio	D6/366
D. 330,808	11/1992	Citterio	D6/366
D. 339,926	10/1993	Fahnstrom et al.	D6/366

D. 339,927	10/1993	Fahnstrom et al.	D6/366
D. 345,060	3/1994	Duncan	D6/366
D. 360,316	7/1995	Hodge et al.	D6/366
D. 363,383	10/1995	Cronk	D6/366
D. 376,924	12/1996	Beaulieu	D6/366
1,960,022	5/1934	Melder	155/50
3,594,041	7/1971	Rye	297/445

Primary Examiner—Gary D. Watson
Attorney, Agent, or Firm—Baker & Daniels

[57] **CLAIM**

The ornamental design for a chair, as shown and described.

DESCRIPTION

FIG. 1 is a left-front perspective view of the chair showing our new design;

FIG. 2 is a front view thereof;

FIG. 3 is a rear view thereof;

FIG. 4 is a right side view thereof;

FIG. 5 is a left side view thereof;

FIG. 6 is a top view thereof;

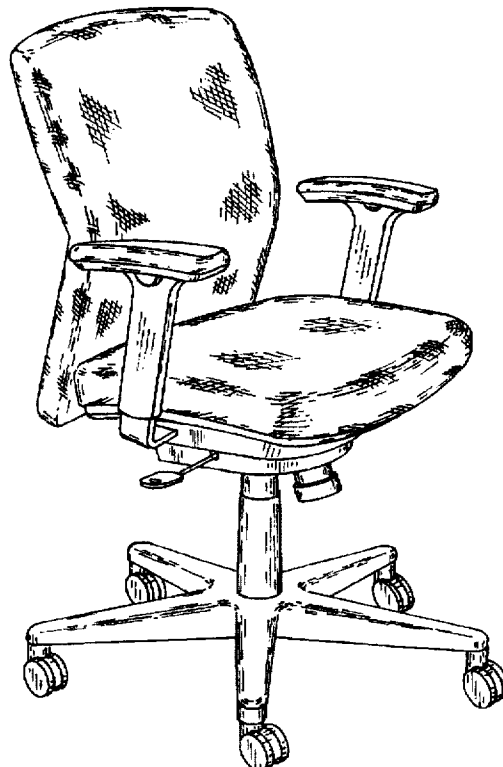
FIG. 7 is a bottom view thereof;

FIG. 8 is a left-front perspective view of a second embodiment of the chair, the sole difference being in a higher backrest; and,

FIG. 9 is a left-front perspective view of a third embodiment of the chair, the only differences being the extended pedestal and a footrest.

The fragmented cross-hatching on the seat and backrest is understood to represent fabric which would be continuous throughout the implied areas.

1 Claim, 3 Drawing Sheets



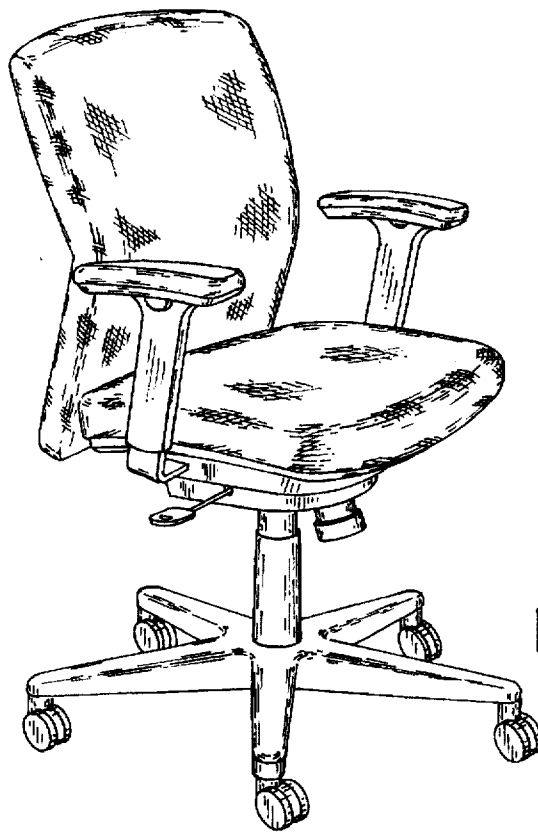


FIG. 1

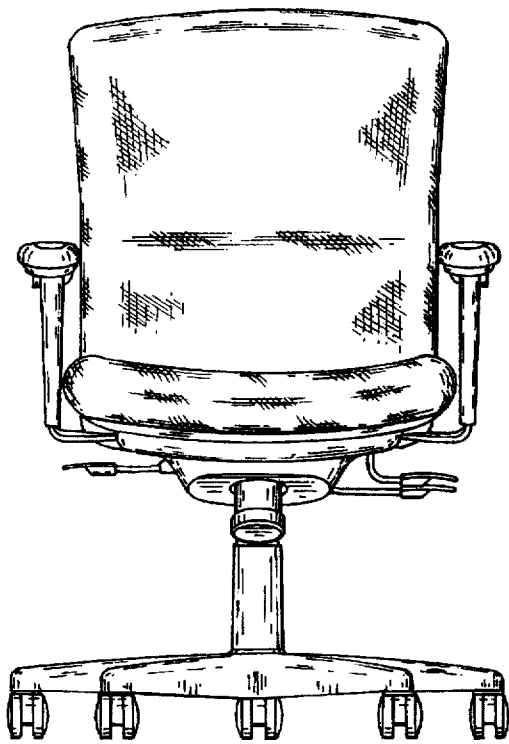


FIG. 2

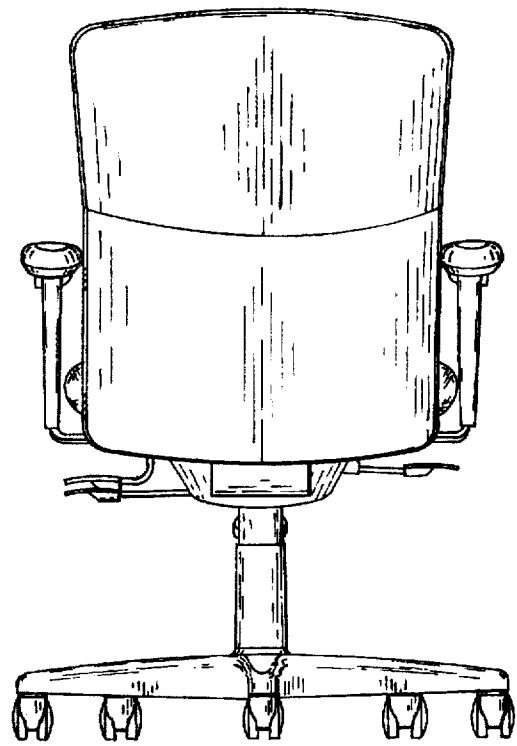


FIG. 3

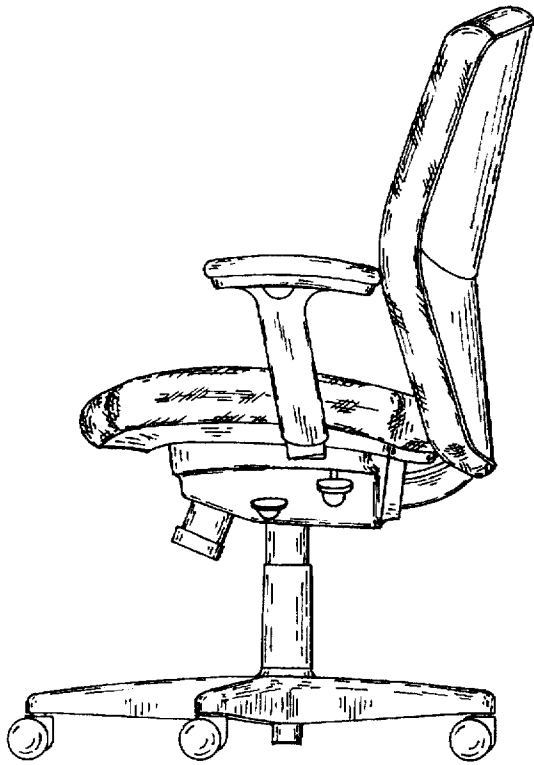


FIG. 4

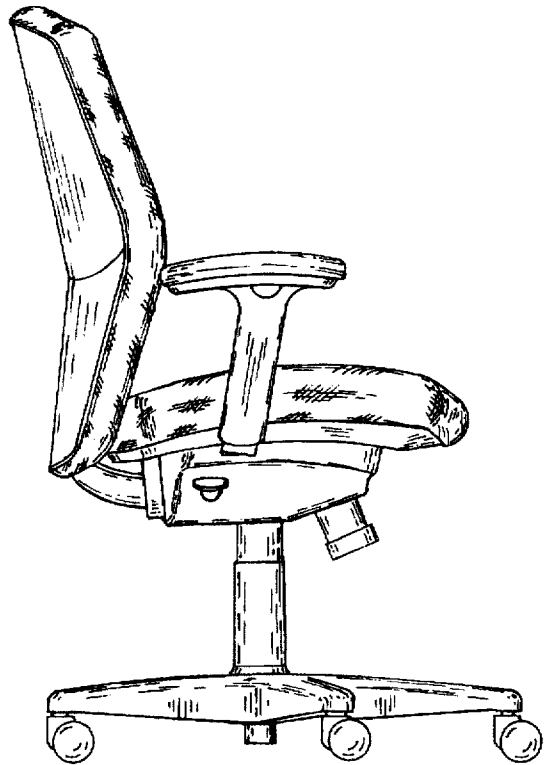


FIG. 5

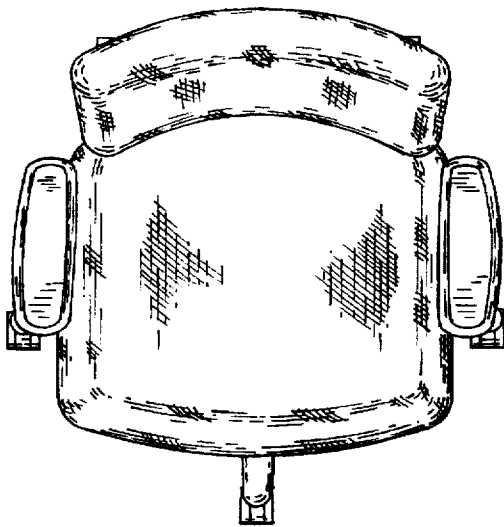


FIG. 6

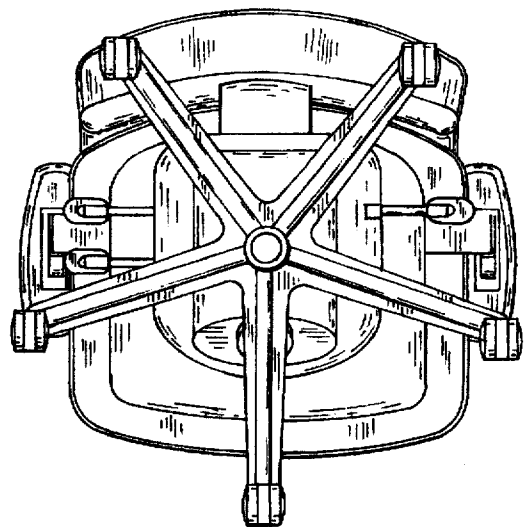


FIG. 7



FIG. 8

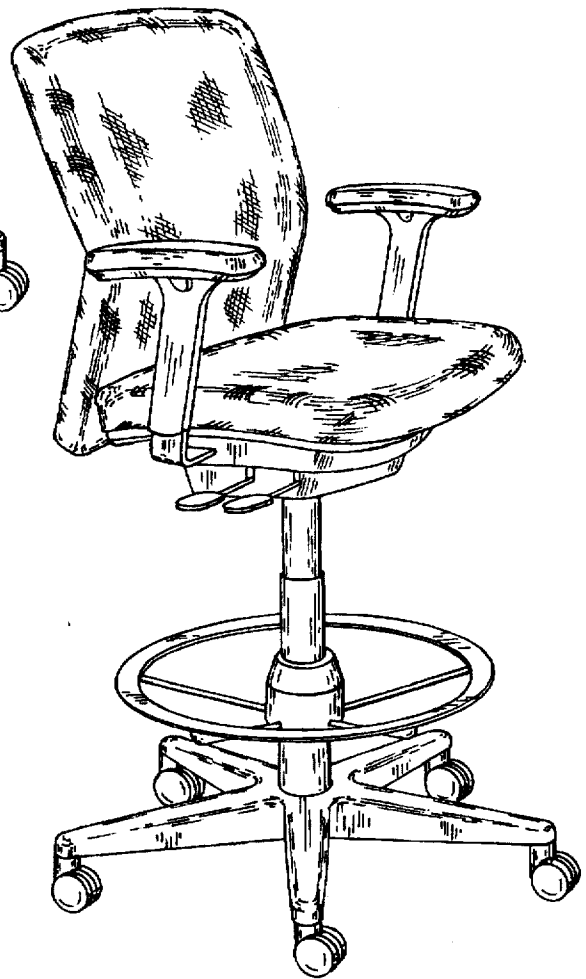


FIG. 9