

(19) World Intellectual Property Organization
International Bureau



(43) International Publication Date
23 November 2006 (23.11.2006)

PCT

(10) International Publication Number
WO 2006/123340 A3

- (51) International Patent Classification:
A61F 2/06 (2006.01)
- (21) International Application Number:
PCT/IL2006/000584
- (22) International Filing Date: 17 May 2006 (17.05.2006)
- (25) Filing Language: English
- (26) Publication Language: English
- (30) Priority Data:
60/681,468 17 May 2005 (17.05.2005) US
- (71) Applicant (for all designated States except US): NICAST LTD. [IL/IL]; Brosh Building - Global Park, 2 Yodfat Street, North Industry Zone, 71291 Lod (IL).

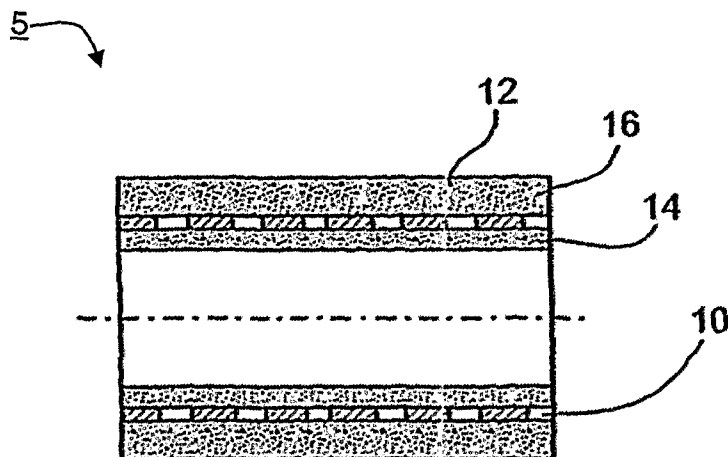
- (81) Designated States (unless otherwise indicated, for every kind of national protection available): AE, AG, AL, AM, AT, AU, AZ, BA, BB, BG, BR, BW, BY, BZ, CA, CH, CN, CO, CR, CU, CZ, DE, DK, DM, DZ, EC, EE, EG, ES, FI, GB, GD, GE, GH, GM, HR, HU, ID, IL, IN, IS, JP, KE, KG, KM, KN, KP, KR, KZ, LC, LK, LR, LS, LT, LU, LV, LY, MA, MD, MG, MK, MN, MW, MX, MZ, NA, NG, NI, NO, NZ, OM, PG, PH, PL, PT, RO, RU, SC, SD, SE, SG, SK, SL, SM, SY, TJ, TM, TN, TR, TT, TZ, UA, UG, US, UZ, VC, VN, YU, ZA, ZM, ZW.
- (84) Designated States (unless otherwise indicated, for every kind of regional protection available): ARIPO (BW, GH, GM, KE, LS, MW, MZ, NA, SD, SL, SZ, TZ, UG, ZM, ZW), Eurasian (AM, AZ, BY, KG, KZ, MD, RU, TJ, TM), European (AT, BE, BG, CH, CY, CZ, DE, DK, EE, ES, FI, FR, GB, GR, HU, IE, IS, IT, LT, LU, LV, MC, NL, PL, PT, RO, SE, SI, SK, TR), OAPI (BF, BJ, CF, CG, CI, CM, GA, GN, GQ, GW, ML, MR, NE, SN, TD, TG).

- (72) Inventors; and
- (75) Inventors/Applicants (for US only): SHALEV, Alon [IL/IL]; 9 Wingate Street, 43587 Raanana (IL). DUBSON, Alexander [IL/IL]; 36a Shapira Street, 49491 Petach-tikva (IL).
- (74) Agents: G. E. EHRLICH (1995) LTD. et al.; 11 Menachem Begin Street, 52 521 Ramat Gan (IL).

- Published:
— with international search report
- (88) Date of publication of the international search report:
29 March 2007

For two-letter codes and other abbreviations, refer to the "Guidance Notes on Codes and Abbreviations" appearing at the beginning of each regular issue of the PCT Gazette.

(54) Title: ELECTRICALLY CHARGED IMPLANTABLE MEDICAL DEVICE



(57) Abstract: A medical device comprises a tubular structure adapted for being implanted in the vasculature of a mammal, the tubular structure being formed, at least in part, of electrically charged nonwoven polymer fibers.



WO 2006/123340 A3

INTERNATIONAL SEARCH REPORT

International application No.

PCT/IL06/00584

A. CLASSIFICATION OF SUBJECT MATTER
 IPC: **A61F 2/06(2007.01)**

USPC: 623/1.1,1.49
 According to International Patent Classification (IPC) or to both national classification and IPC

B. FIELDS SEARCHED

Minimum documentation searched (classification system followed by classification symbols)
 U.S. : 623/1.1, 1.49

Documentation searched other than minimum documentation to the extent that such documents are included in the fields searched

Electronic data base consulted during the international search (name of data base and, where practicable, search terms used)
 East Text Search

C. DOCUMENTS CONSIDERED TO BE RELEVANT

Category *	Citation of document, with indication, where appropriate, of the relevant passages	Relevant to claim No.
X	US 2003/0236568 A1 (HOJEIBANE et al) 25 December 2003(25.12.2003), see paragraph 93, 97, 108 and 113.	1-34
A	US 2005/0064168 A1 (DVORSKY et al.) 24 March 2005(24.03.2005), see paragraphs 24-44.	1-34
A	US 2003/0065355 A1 (WEBER) 03 April 2003(03.04.2003), see paragraphs 16-105.	1-34

Further documents are listed in the continuation of Box C. See patent family annex.

* Special categories of cited documents:		
"A"	document defining the general state of the art which is not considered to be of particular relevance	"T" later document published after the international filing date or priority date and not in conflict with the application but cited to understand the principle or theory underlying the invention
"E"	earlier application or patent published on or after the international filing date	"X" document of particular relevance; the claimed invention cannot be considered novel or cannot be considered to involve an inventive step when the document is taken alone
"L"	document which may throw doubts on priority claim(s) or which is cited to establish the publication date of another citation or other special reason (as specified)	"Y" document of particular relevance; the claimed invention cannot be considered to involve an inventive step when the document is combined with one or more other such documents, such combination being obvious to a person skilled in the art
"O"	document referring to an oral disclosure, use, exhibition or other means	
"P"	document published prior to the international filing date but later than the priority date claimed	"&" document member of the same patent family

Date of the actual completion of the international search 09 December 2006 (09.12.2006)	Date of mailing of the international search report 04 JAN 2007
--	--

Name and mailing address of the ISA/US Mail Stop PCT, Attn: ISA/US Commissioner for Patents P.O. Box 1450 Alexandria, Virginia 22313-1450 Facsimile No. (571) 273-3201	Authorized officer <i>Forrest J. Lawrence</i> Alvin J. Stewart Telephone No. (571) 272.3700
---	--