

[54] **TELEPHONE SET BASE**
 [75] **Inventor: Robert B. Isaacs, Ottawa, Canada**
 [73] **Assignee: Northern Telecom Limited, Montreal, Canada**
 [**] **Term: 14 Years**
 [21] **Appl. No.: 586,445**
 [22] **Filed: Mar. 5, 1984**
 [52] **U.S. Cl. D14/60; D14/62**
 [58] **Field of Search D14/53, 59, 60, 32, D14/38, 107, 108, 114, 115, 62, 58, 100; 179/179, 100 R, 100 D, 100 C, 100 L, 101, 103, 102**

D. 277,665 2/1985 Genaro et al. D14/60
 D. 278,056 3/1985 Genaro et al. D14/60
 D. 280,403 9/1985 Mitchell D14/62
 D. 280,405 9/1985 Mitchell D14/62
 D. 280,506 9/1985 Mitchell D14/62
 4,385,212 5/1983 Tyler 179/100 D
 4,517,420 5/1985 Haskins 179/100 C

FOREIGN PATENT DOCUMENTS

2305488 8/1974 Fed. Rep. of Germany ... 179/100 L

OTHER PUBLICATIONS

Northern Telecom, Convention Flyer, 9-1977; SL-1 Station Set.

Primary Examiner—Wallace R. Burke
Assistant Examiner—Horace B. Fay
Attorney, Agent, or Firm—Sidney T. Jelly

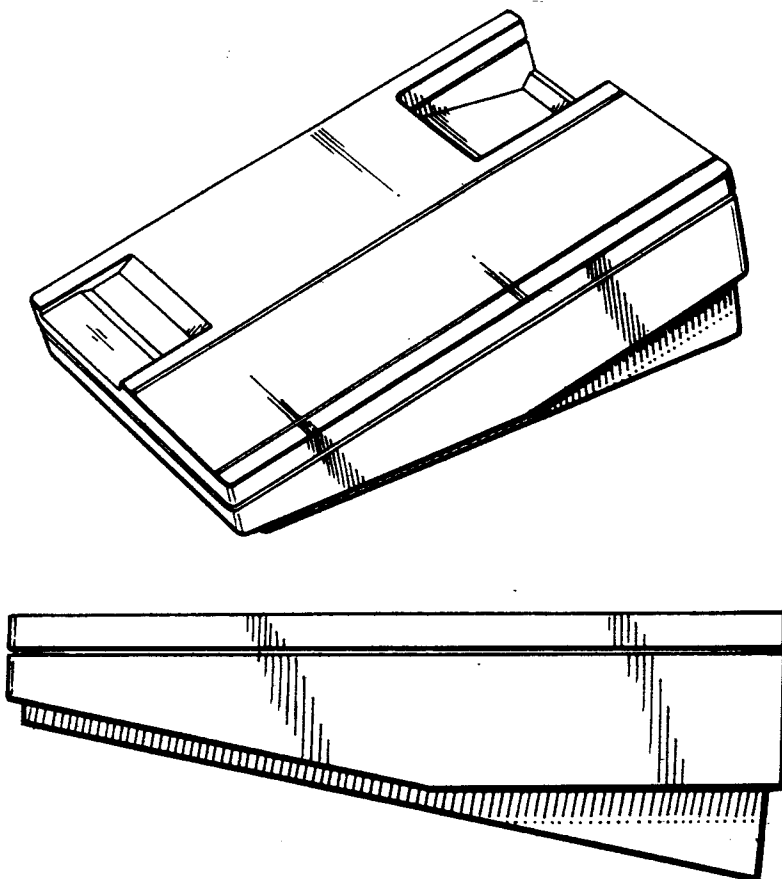
[56] **References Cited**
U.S. PATENT DOCUMENTS

D. 227,260 6/1973 Clayton et al. D14/108
 D. 229,315 11/1973 Scott D14/114
 D. 244,468 5/1977 Büchlin D14/57
 D. 246,584 12/1977 Bhat et al. D14/57
 D. 253,594 12/1979 Antenbring D14/114
 D. 262,287 12/1981 Urbanus et al. D14/100
 D. 263,047 2/1982 Trussler D14/60
 D. 263,957 4/1982 Pemberton D14/107
 D. 264,715 6/1982 Trussler D14/60
 D. 266,509 10/1982 Marshall D14/107
 D. 275,752 10/1984 Mahan D14/59
 D. 275,753 10/1984 Mahan D14/59
 D. 276,430 11/1984 Isaacs D14/60

[57] **CLAIM**
 The ornamental design for a telephone set base, substantially as shown and described.

DESCRIPTION

FIG. 1 is a front, top and right side perspective view of a telephone set base showing my new design;
 FIG. 2 is a top plan view;
 FIGS. 3 and 4 are respectively front and rear elevational views;
 FIG. 5 is a right side elevational view; and
 FIG. 6 is a bottom plan view.



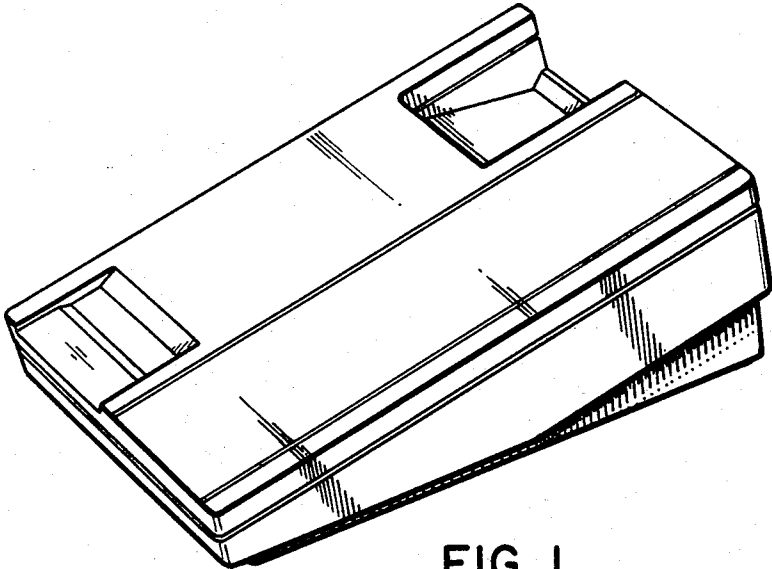


FIG. 1

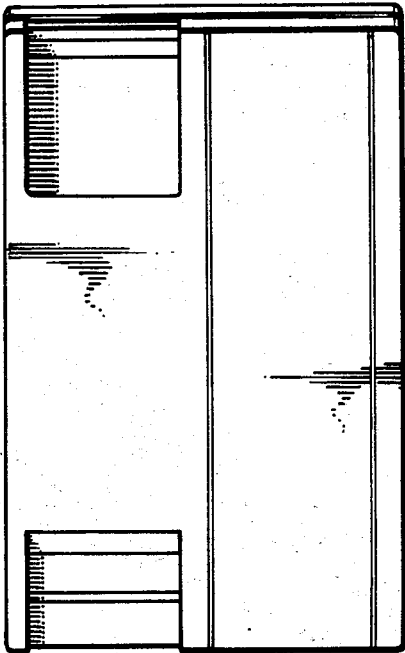


FIG. 2

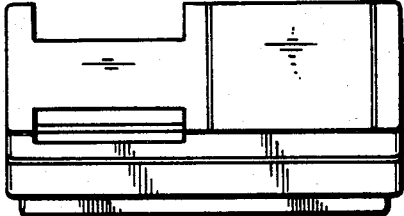


FIG. 3

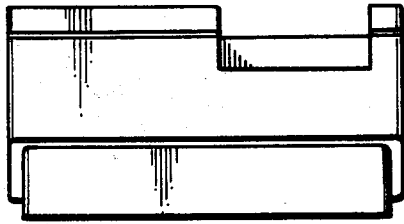


FIG. 4

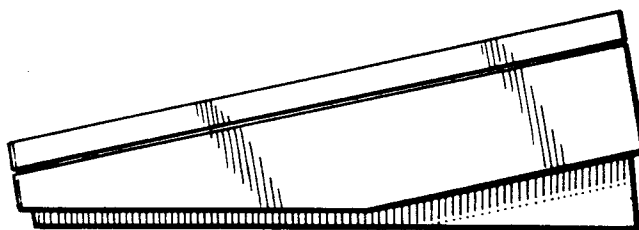


FIG. 5

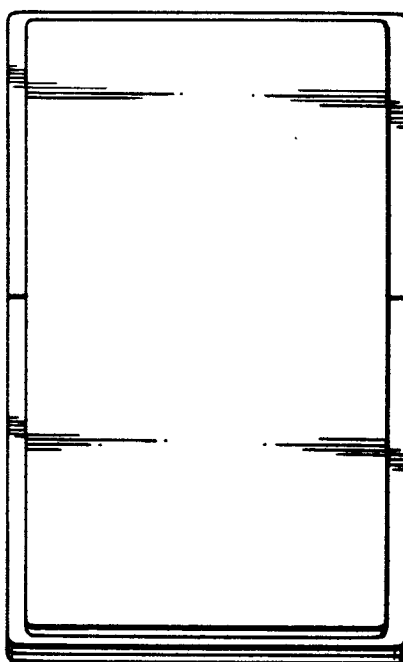


FIG. 6