

[54] **BAITCAST FISHING REEL**  
[75] **Inventor: Richard J. Robbins, Derby, Kans.**  
[73] **Assignee: Zebco Corporation, Tulsa, Okla.**  
[\*\*] **Term: 14 Years**  
[21] **Appl. No.: 149,071**  
[22] **Filed: Jan. 26, 1988**  
[52] **U.S. Cl. .... D22/140**  
[58] **Field of Search ..... D22/141, 140; 242/223,  
242/224, 257, 258, 259, 260, 261, 279**

[56] **References Cited**  
**U.S. PATENT DOCUMENTS**  
D. 280,846 10/1985 Sakamoto et al. .... D22/140  
D. 294,380 2/1988 Robbins et al. .... D22/140  
D. 294,381 2/1988 Robbins ..... D22/140  
D. 299,511 1/1989 Kameda et al. .... D22/140

D. 300,166 3/1989 Myojo ..... D22/140

*Primary Examiner*—A. Hugo Word  
*Assistant Examiner*—Doris V. Coles  
*Attorney, Agent, or Firm*—Wood, Phillips, Mason,  
Recktenwald & VanSanten

[57] **CLAIM**

The ornamental design for a baitcast fishing reel, as shown and described.

**DESCRIPTION**

FIG. 1 is a side and rear perspective view of a bait cast fishing reel, showing my new design;  
FIG. 2 is a side and front perspective view thereof;  
FIG. 3 is a top plan view thereof;  
FIG. 4 is a left side elevational view thereof;  
FIG. 5 is a front elevational view thereof;  
FIG. 6 is a rear elevational view thereof;  
FIG. 7 is a right side elevational view thereof; and  
FIG. 8 is a bottom plan view thereof.

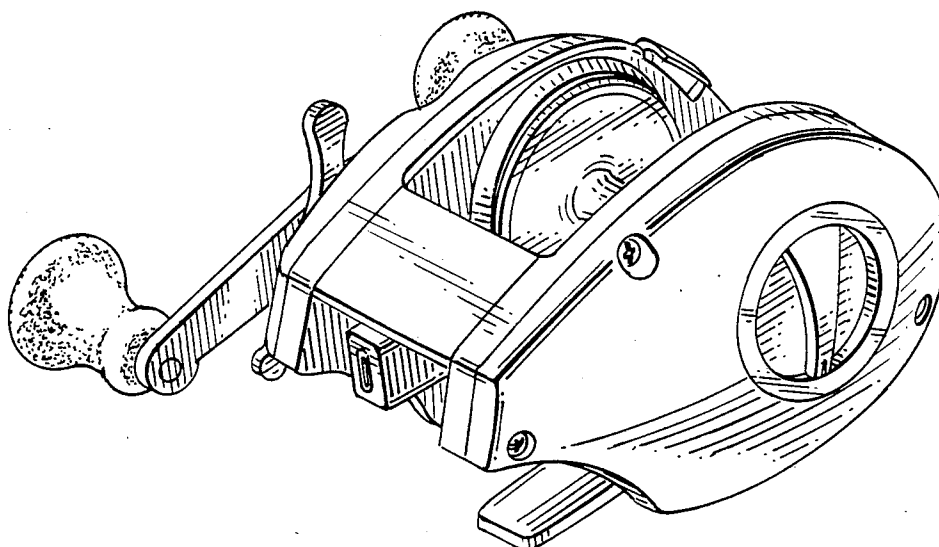


FIG. 1

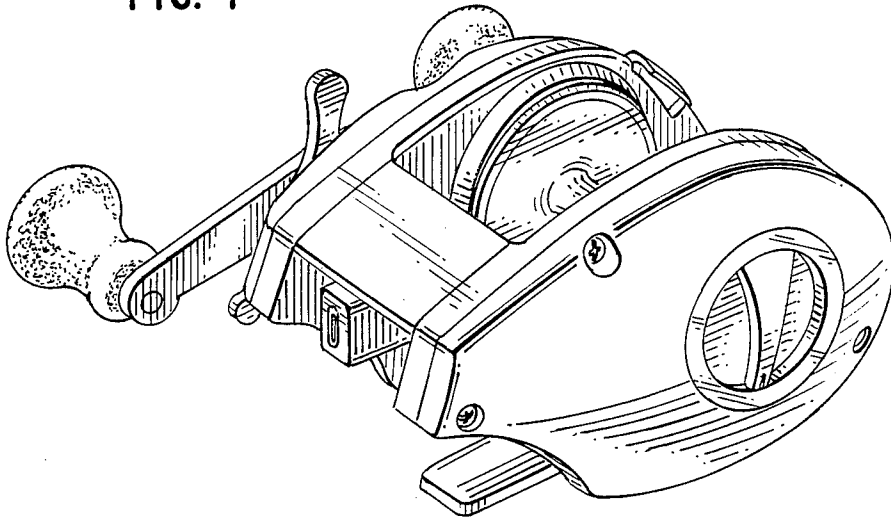


FIG. 2

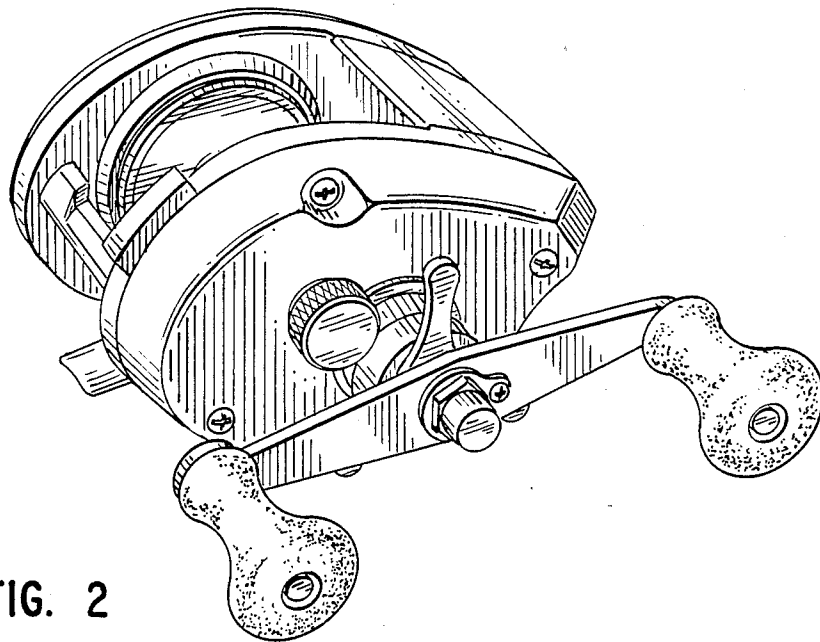


FIG. 3

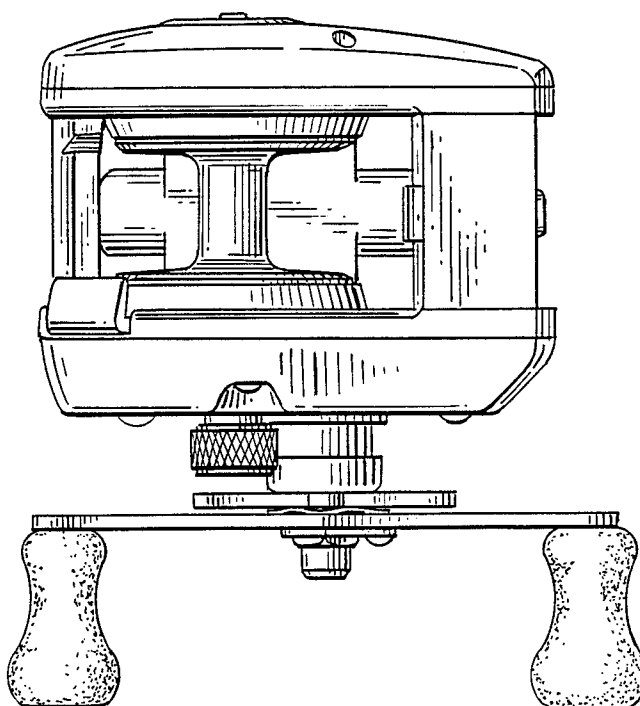


FIG. 4

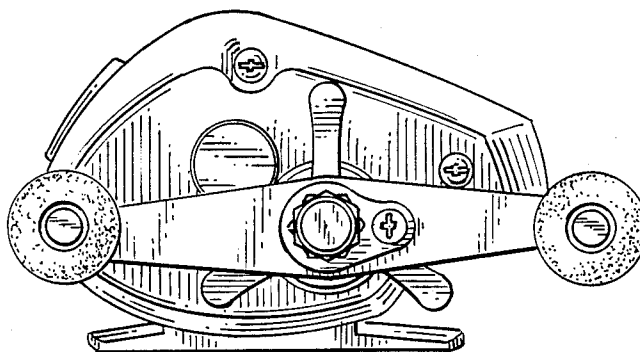


FIG. 5

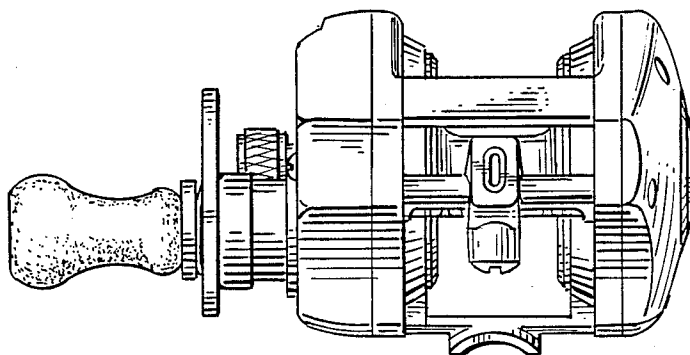


FIG. 6

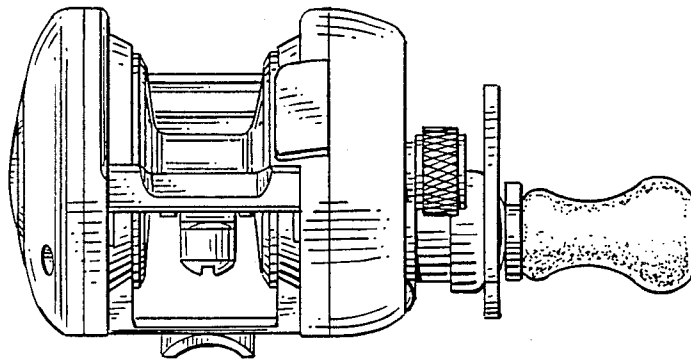


FIG. 7

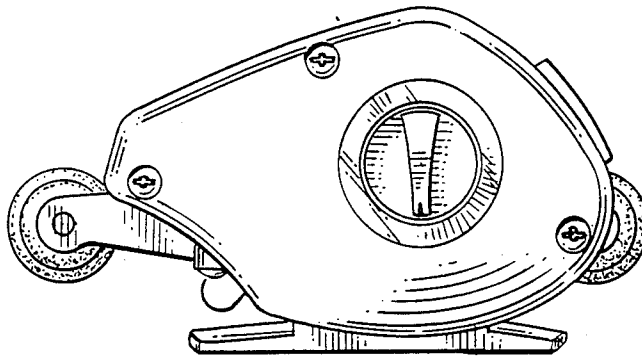


FIG. 8

