



US00D593704S

(12) **United States Design Patent**
Lovegrove

(10) **Patent No.:** **US D593,704 S**

(45) **Date of Patent:** **** Jun. 2, 2009**

(54) **LIGHT FIXTURE**

(75) Inventor: **Ross Lovegrove**, London (GB)

(73) Assignee: **Louis Poulsen Lighting A/S**,
Copenhagen (DK)

(**) Term: **14 Years**

(21) Appl. No.: **29/306,072**

(22) Filed: **Apr. 1, 2008**

(51) **LOC (9) Cl.** **26-03**

(52) **U.S. Cl.** **D26/90; D26/84**

(58) **Field of Classification Search** D26/75,
D26/76, 79, 81, 83, 84, 85, 88-91, 118, 138,
D26/141; 362/147, 404-408

See application file for complete search history.

(56) **References Cited**

U.S. PATENT DOCUMENTS

1,127,527	A	*	2/1915	Schoen	362/404
D59,087	S	*	9/1921	Hibben	D26/88
D87,745	S	*	9/1932	Gunnison	D26/88
D90,612	S	*	8/1933	Howell	D26/88
D90,938	S	*	10/1933	Beck	D26/88
D125,312	S	*	2/1941	Logan	D26/88

D417,744	S	*	12/1999	Littman et al.	D26/88
D465,872	S	*	11/2002	Cacaci	D26/90
D469,562	S	*	1/2003	Crasset	D26/90

OTHER PUBLICATIONS

“Spiga” Contemporary Pendant (model #PLC-81225-SN from PLC Lighting). Downloaded from www.arcadianlighting.com on 27/2009, Website © 2008.*

* cited by examiner

Primary Examiner—Clare E Heflin

(74) *Attorney, Agent, or Firm*—Vedder Price, P.C.

(57) **CLAIM**

The ornamental design for a light fixture, as shown and described.

DESCRIPTION

FIG. 1 is a top perspective view of a light fixture showing my new design;

FIG. 2 is a side elevational view of the light fixture of FIG. 1;

FIG. 3 is a top plan view of the light fixture of FIG. 1;

FIG. 4 is a bottom plan view of the light fixture of FIG. 1; and,

FIG. 5 is a bottom perspective view of the light fixture.

1 Claim, 5 Drawing Sheets

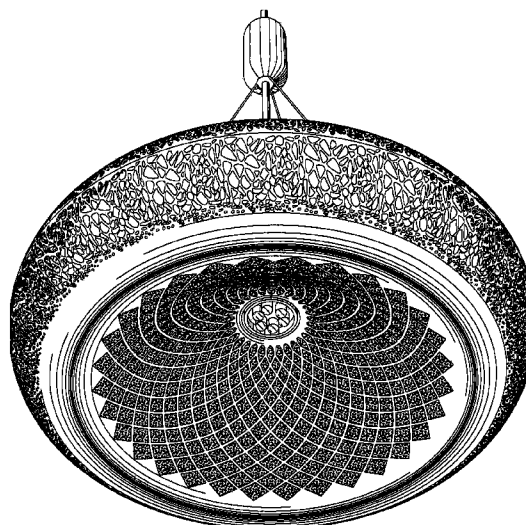
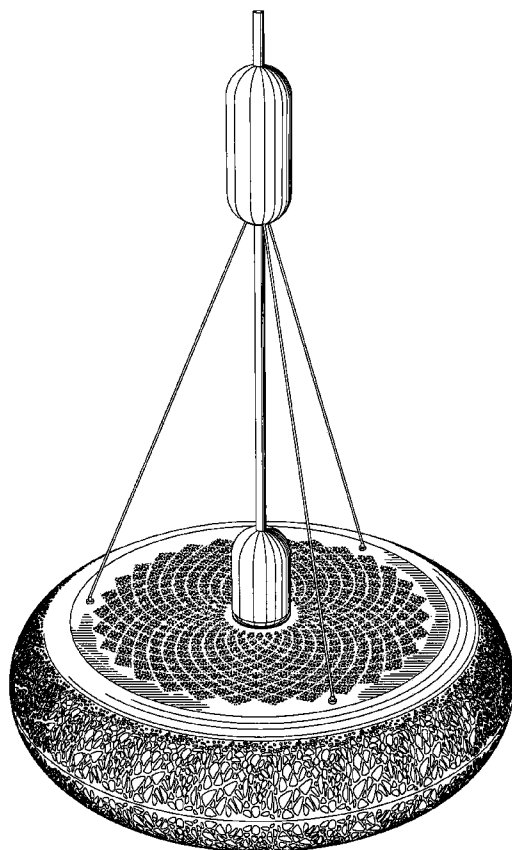


FIG. 1

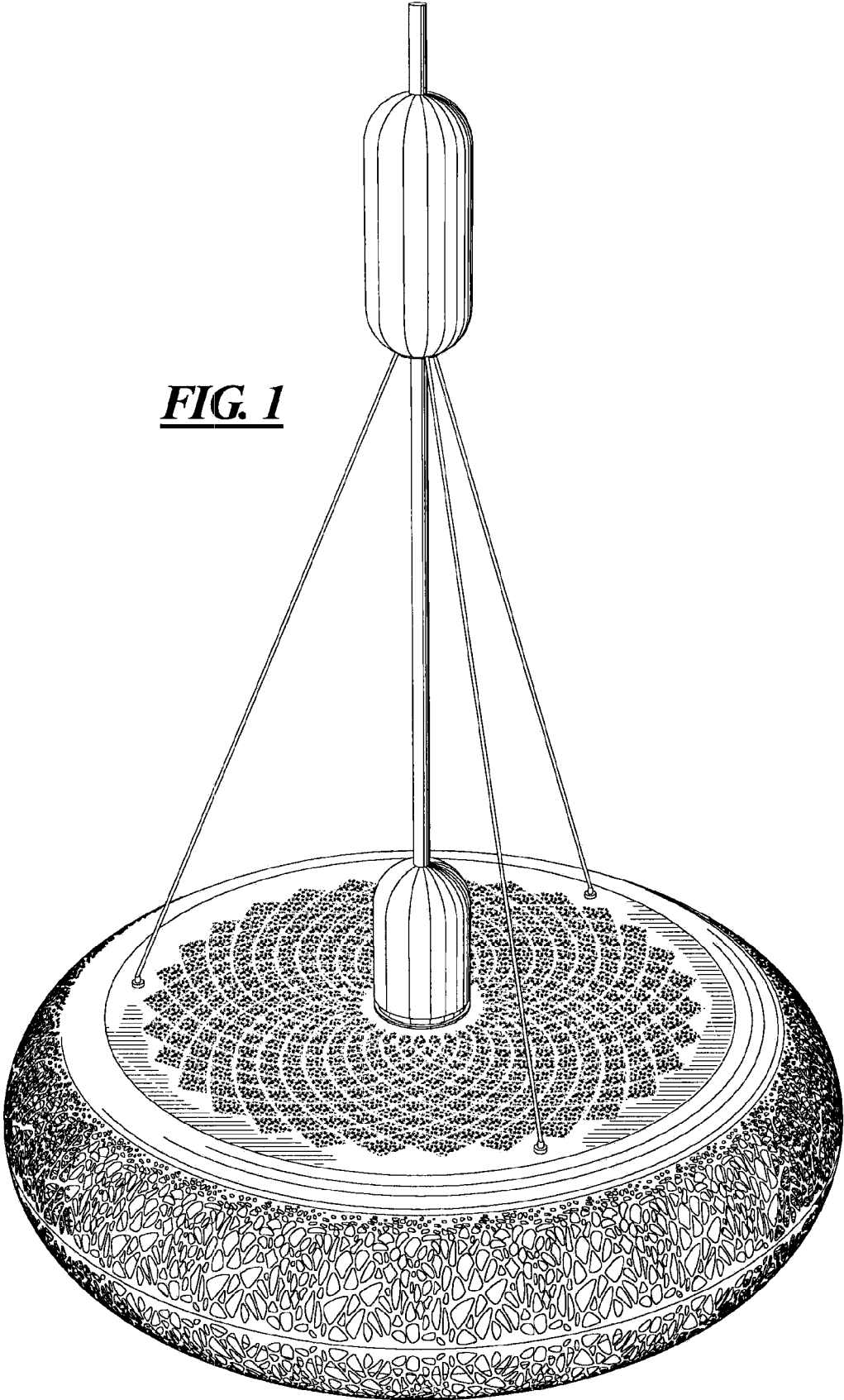


FIG. 2

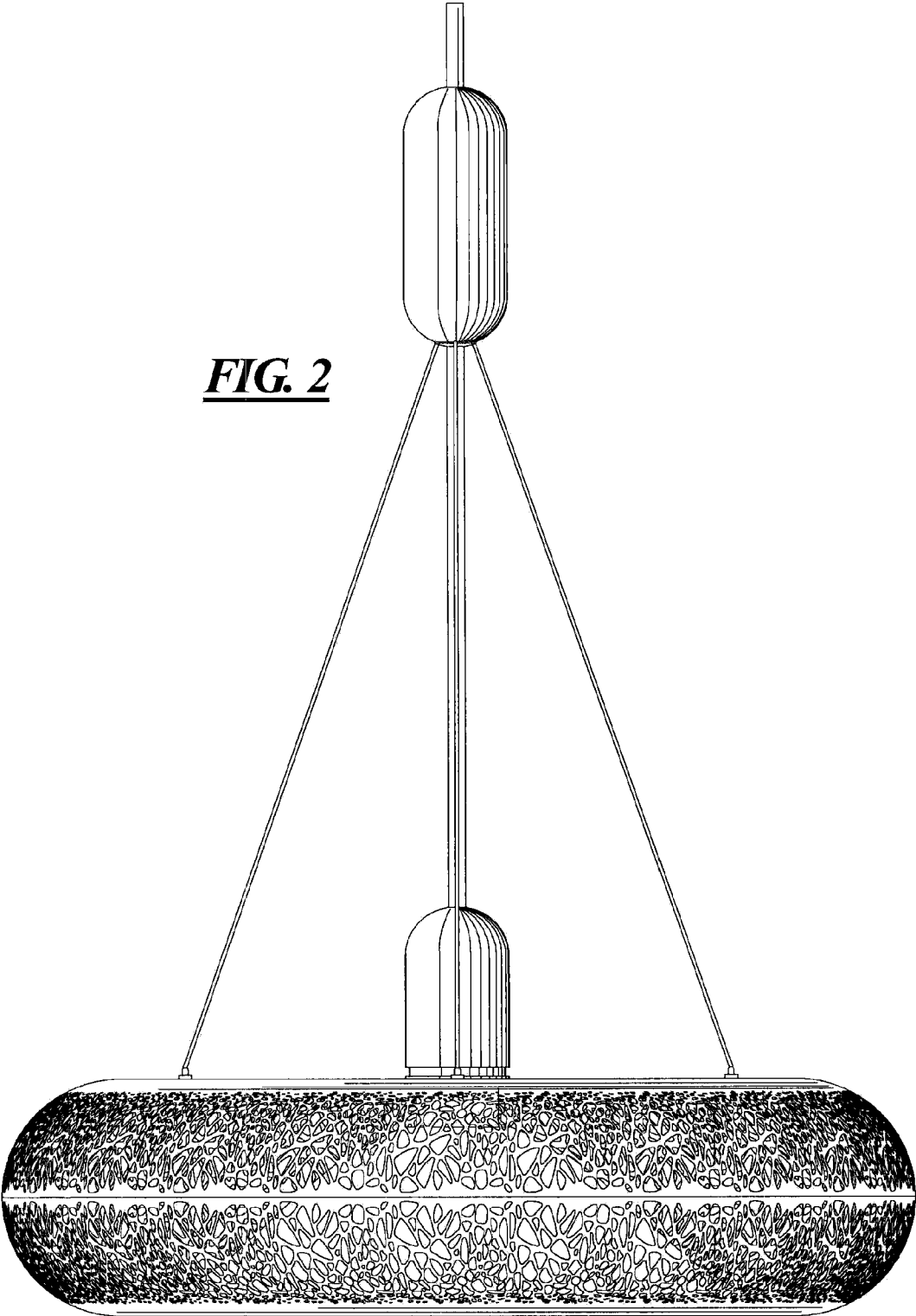


FIG. 3

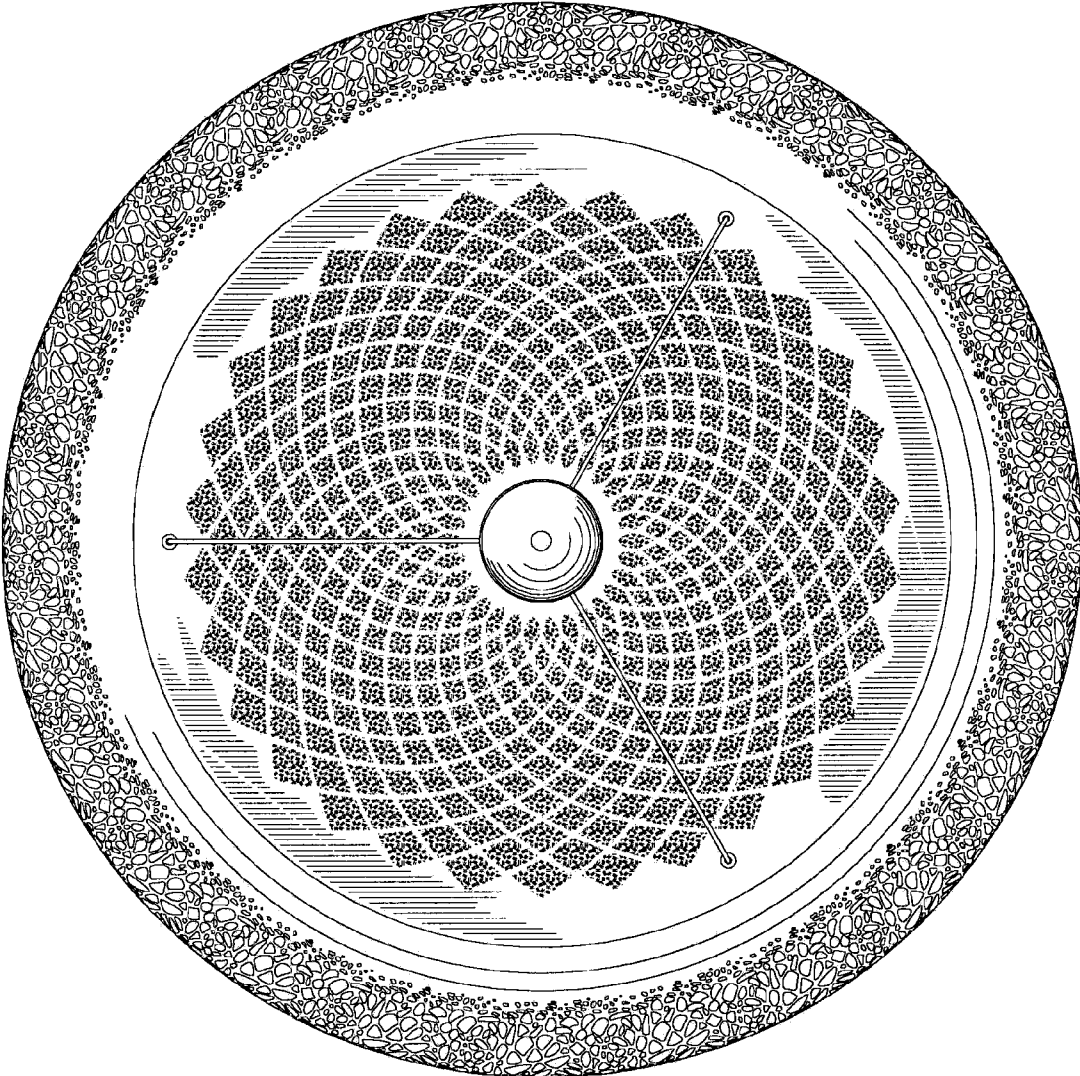


FIG. 4

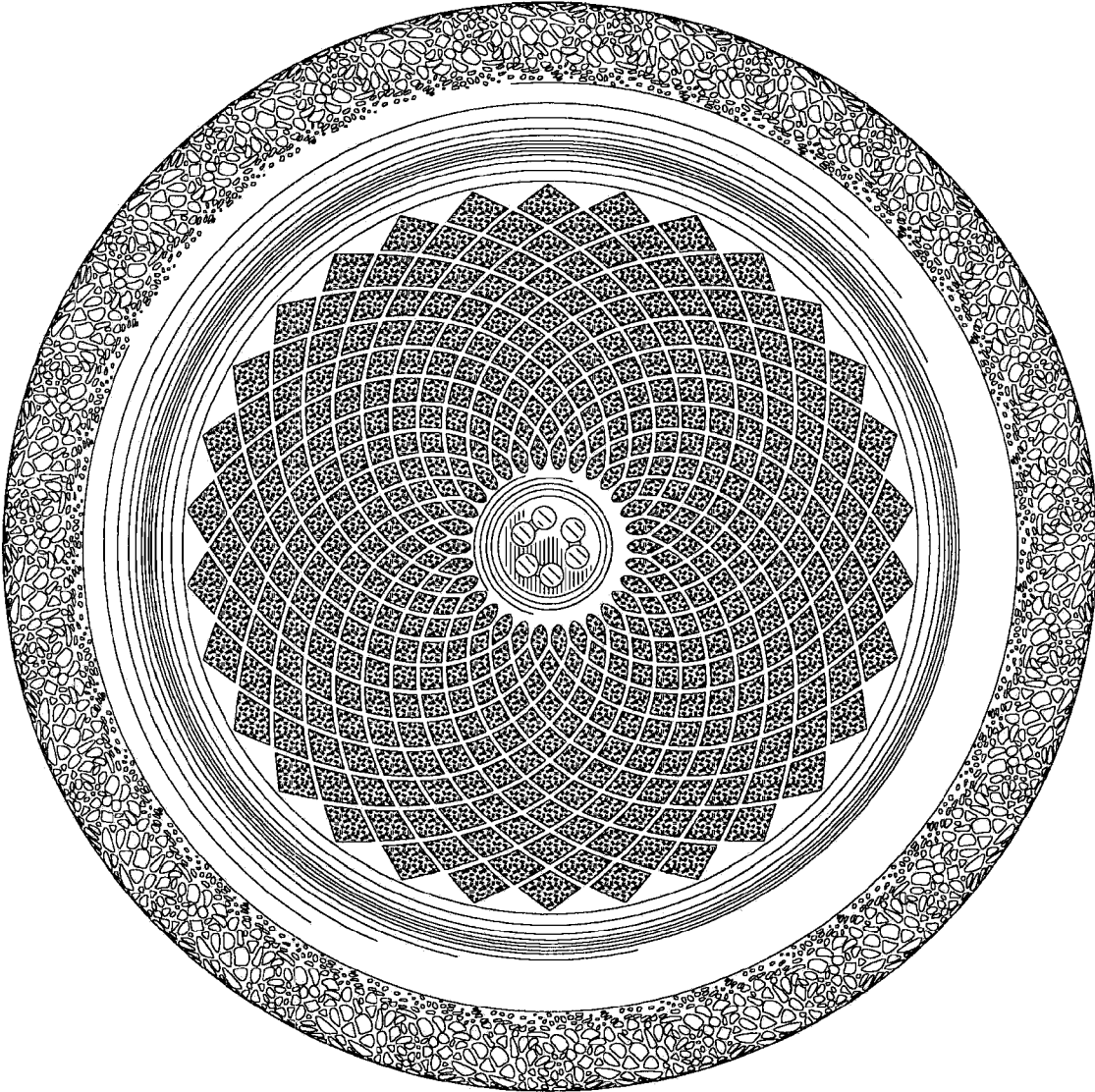
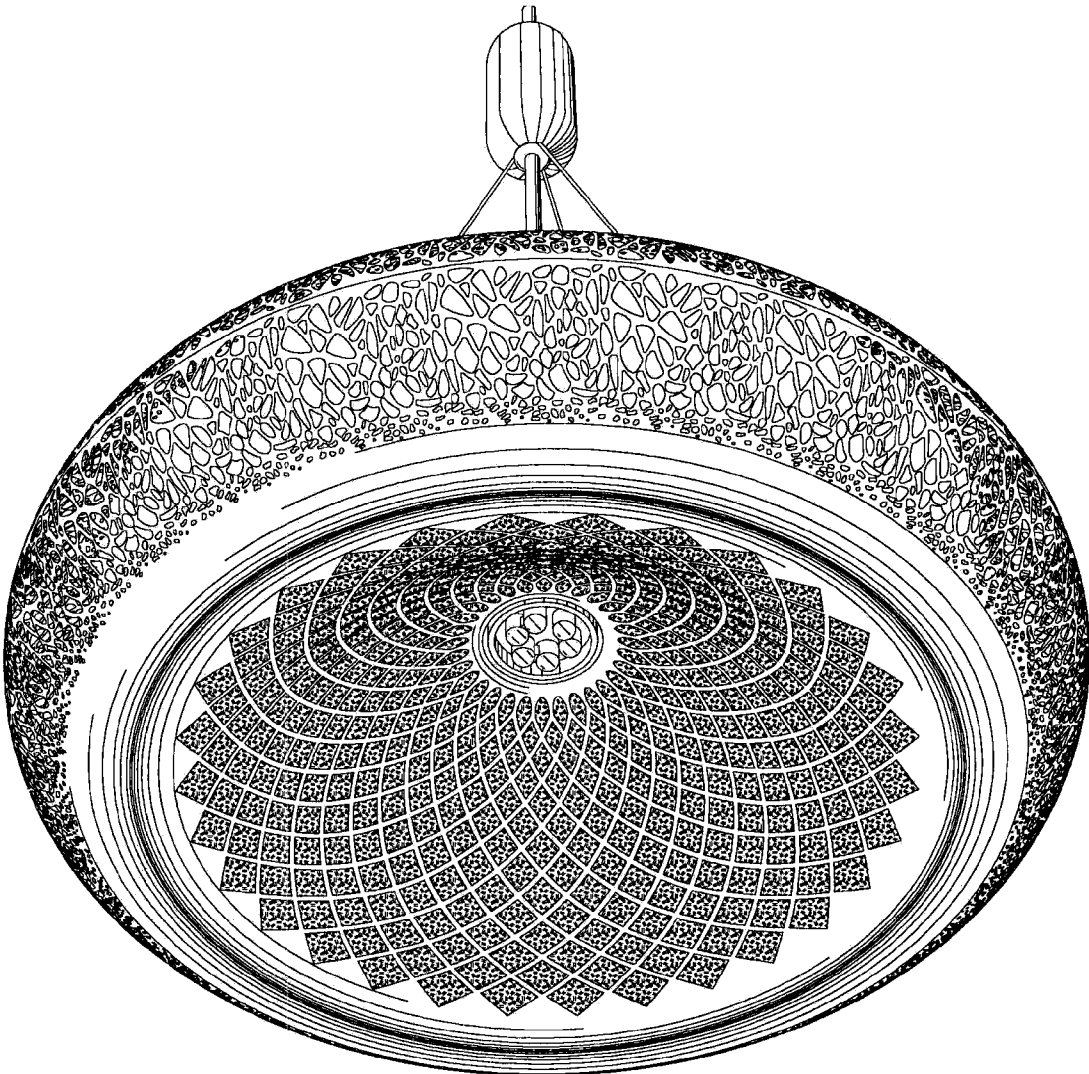


FIG. 5



UNITED STATES PATENT AND TRADEMARK OFFICE
CERTIFICATE OF CORRECTION

PATENT NO. : Des. 593,704 S
APPLICATION NO. : 29/306072
DATED : June 2, 2009
INVENTOR(S) : Lovegrove

Page 1 of 1

It is certified that error appears in the above-identified patent and that said Letters Patent is hereby corrected as shown below:

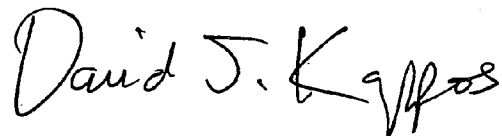
Title Page, insert

-- (30) Foreign Application Priority Data

Mar. 13, 2008 (EM)000897152-0001 --

Signed and Sealed this

Ninth Day of March, 2010



David J. Kappos
Director of the United States Patent and Trademark Office