



US00D784439S

(12) **United States Design Patent**  
**Minn et al.**

(10) **Patent No.:** **US D784,439 S**

(45) **Date of Patent:** **\*\* Apr. 18, 2017**

(54) **BALL HEAD OF A TRIPOD FOR AN ELECTRONIC DEVICE**

FOREIGN PATENT DOCUMENTS

(71) Applicant: **KENU, INC.**, San Francisco, CA (US)

CH 141045-0001 11/2014  
CH 141045-0002 11/2014

(Continued)

(72) Inventors: **Kenneth Y. Minn**, San Francisco, CA (US); **David E. Yao**, San Francisco, CA (US); **Leonard John Duran**, San Francisco, CA (US)

OTHER PUBLICATIONS

<http://the-gadgeteer.com/2016/10/21/kenu-stance-smartphone-tripod-review/> Posted Oct. 21, 2016.\*

(Continued)

(73) Assignee: **KENU, INC.**, San Francisco, CA (US)

(\*\*) Term: **15 Years**

*Primary Examiner* — Susan Bennett Hattan

*Assistant Examiner* — Leanne Was-Englehart

(21) Appl. No.: **29/553,159**

(74) *Attorney, Agent, or Firm* — Vierra Magen Marcus LLP

(22) Filed: **Jan. 28, 2016**

(57) **CLAIM**

We claim the ornamental design for a ball head of a tripod for an electronic device, as shown and described.

**Related U.S. Application Data**

**DESCRIPTION**

(60) Division of application No. 29/508,966, filed on Nov. 12, 2014, now Pat. No. Des. 751,624, which is a (Continued)

FIG. 1 is a perspective view of a ball head of a tripod for an electronic device;  
FIG. 2 is a front view thereof;  
FIG. 3 is a rear view thereof;  
FIG. 4 is a right side view thereof;  
FIG. 5 is a left side view thereof;  
FIG. 6 is a top plan view thereof;  
FIG. 7 is a bottom plan view thereof; and,  
FIG. 8 is an alternate perspective view thereof.

(51) **LOC (10) Cl.** ..... **16-05**

(52) **U.S. Cl.** ..... **D16/242**  
USPC ..... **D16/242**

(58) **Field of Classification Search**  
USPC ..... D8/387; D16/237, 239, 242, 244, 245; 248/176.1, 177.1, 185.1, 187.1, 161, (Continued)

The evenly spaced broken lines of FIGS. 2-5 and 7 depict portions of the ball head of a tripod for an electronic device that form no part of the claimed design. The evenly spaced broken lines in FIG. 8 depict environment that form no part of the claimed design. The dash-dot-dash broken lines in FIGS. 2-5 and 7 depict the bounds of the bounds of the claimed design.

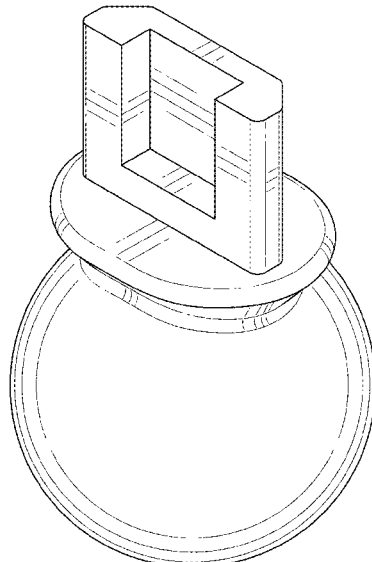
(56) **References Cited**

U.S. PATENT DOCUMENTS

2,670,228 A \* 2/1954 Pagliuso ..... F16M 11/14 248/177.1  
3,539,208 A \* 11/1970 Dosso ..... F16C 11/106 248/181.1

(Continued)

**1 Claim, 8 Drawing Sheets**



**Related U.S. Application Data**

continuation-in-part of application No. 29/506,667,  
filed on Oct. 17, 2014, now Pat. No. Des. 741,397.

(58) **Field of Classification Search**

USPC ..... 248/176.3, 288.31; 396/419, 420, 422,  
396/425, 428  
CPC ..... F16M 11/14; H04R 1/08  
See application file for complete search history.

(56) **References Cited**

U.S. PATENT DOCUMENTS

4,640,482 A 2/1987 Rogers  
4,648,698 A 3/1987 Iwasaki  
4,740,804 A \* 4/1988 Shands ..... G03B 15/03  
248/182.1  
4,751,540 A 6/1988 Jones  
D299,243 S 1/1989 Iwasaki  
5,072,907 A \* 12/1991 Vogt ..... F16C 11/106  
248/181.1  
D349,717 S 8/1994 Akaike et al.  
D349,914 S 8/1994 Usui  
D350,970 S 9/1994 Usui  
5,390,885 A 2/1995 Shen  
D357,267 S 4/1995 Yotsuya  
D357,493 S 4/1995 Yotsuya  
D365,588 S \* 12/1995 Fernandez ..... D16/242  
5,544,968 A \* 8/1996 Goellner ..... B23Q 1/5462  
248/181.1  
5,708,890 A 1/1998 Nakano  
5,772,164 A 6/1998 Shen  
D445,123 S 7/2001 Shen  
D508,938 S 8/2005 Murray et al.  
7,011,280 B2 3/2006 Murray et al.  
D532,436 S 11/2006 Kruse et al.  
7,290,740 B2 11/2007 Joy et al.  
D575,293 S 8/2008 Derry et al.  
7,503,709 B2 \* 3/2009 Liang ..... G03B 17/00  
348/373  
7,551,225 B2 \* 6/2009 Overstreet ..... F16M 11/041  
248/187.1  
D596,658 S \* 7/2009 Dordick ..... D16/242  
D600,736 S \* 9/2009 Zen ..... D16/242  
D603,442 S \* 11/2009 Dordick ..... D16/242  
D614,613 S 4/2010 Kim et al.  
7,712,719 B2 5/2010 Derry et al.  
8,061,920 B2 11/2011 Wimberley

D651,633 S \* 1/2012 Park ..... D16/203  
D654,528 S \* 2/2012 Easley ..... D16/245  
8,186,639 B2 5/2012 Wang  
D664,182 S 7/2012 Braunstein et al.  
D669,065 S 10/2012 Fromm  
D678,387 S \* 3/2013 Stump ..... D16/244  
D690,707 S 10/2013 Minn et al.  
D706,333 S 6/2014 Chun  
D714,267 S \* 9/2014 Kallas ..... D14/229  
D715,790 S 10/2014 Conomos et al.  
D717,360 S 11/2014 Chun  
D718,298 S 11/2014 Aspinall et al.  
D718,365 S 11/2014 Kim et al.  
D720,759 S 1/2015 Deng et al.  
D721,267 S \* 1/2015 Chun ..... D8/387  
D723,091 S 2/2015 Hale  
D726,175 S 4/2015 Tsai et al.  
D730,421 S \* 5/2015 Huang ..... D16/202  
D741,397 S \* 10/2015 Minn ..... D16/244  
D751,624 S \* 3/2016 Minn ..... D16/242  
2006/0175482 A1 \* 8/2006 Johnson ..... F16M 11/14  
248/176.1  
2007/0152116 A1 \* 7/2007 Madsen ..... F16M 11/14  
248/181.1  
2008/0121767 A1 \* 5/2008 Wimberley ..... F16M 11/14  
248/181.1  
2012/0269503 A1 10/2012 Hale  
2013/0175413 A1 7/2013 Waugh  
2013/0264450 A1 \* 10/2013 Bigeh ..... F16M 11/14  
248/288.31  
2014/0097306 A1 4/2014 Hale et al.

FOREIGN PATENT DOCUMENTS

CN	202749876	2/2013
EM	002155614-0001	3/2013
EM	002588962-0001	4/2015
EM	002645523-0001	4/2015
GB	2467614	8/2010
JP	D1250886	9/2005
TW	455327	9/2001

OTHER PUBLICATIONS

Ken U. Inc.; Stance Compact Tripod; <https://web.archive.org/web/20150202091854/http://www.kenu.com/products/Stance>; Archived date: Feb. 2, 2015.

\* cited by examiner

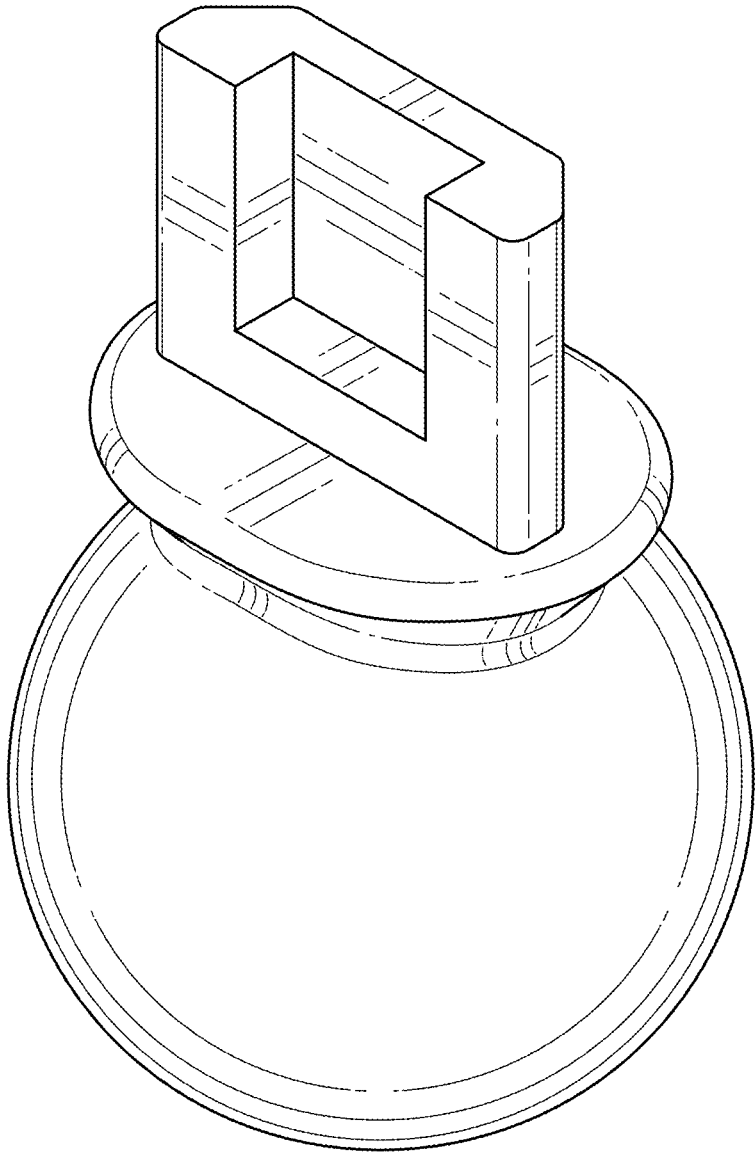


FIG. 1

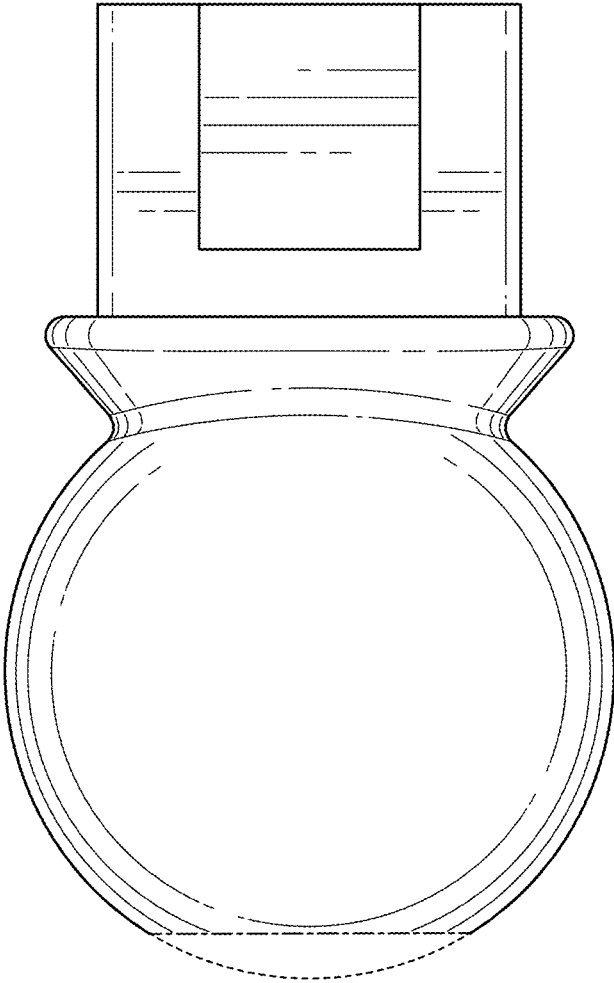


FIG. 2

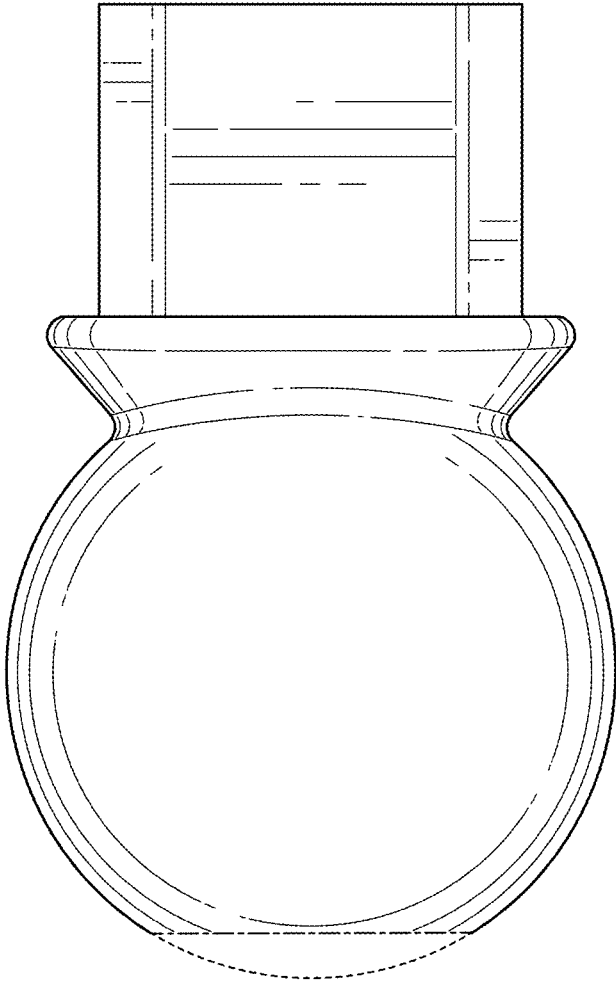


FIG. 3

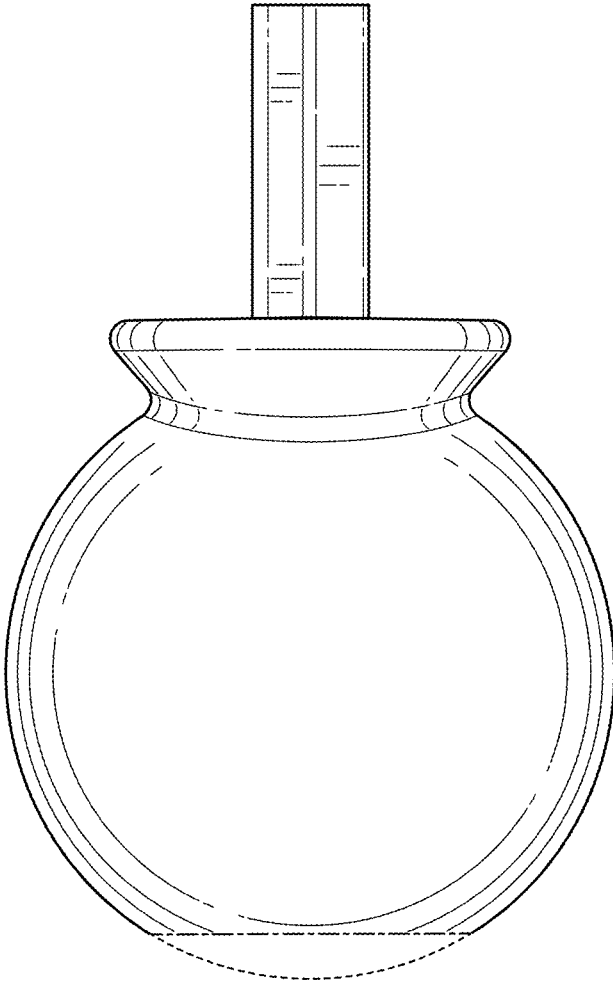


FIG. 4

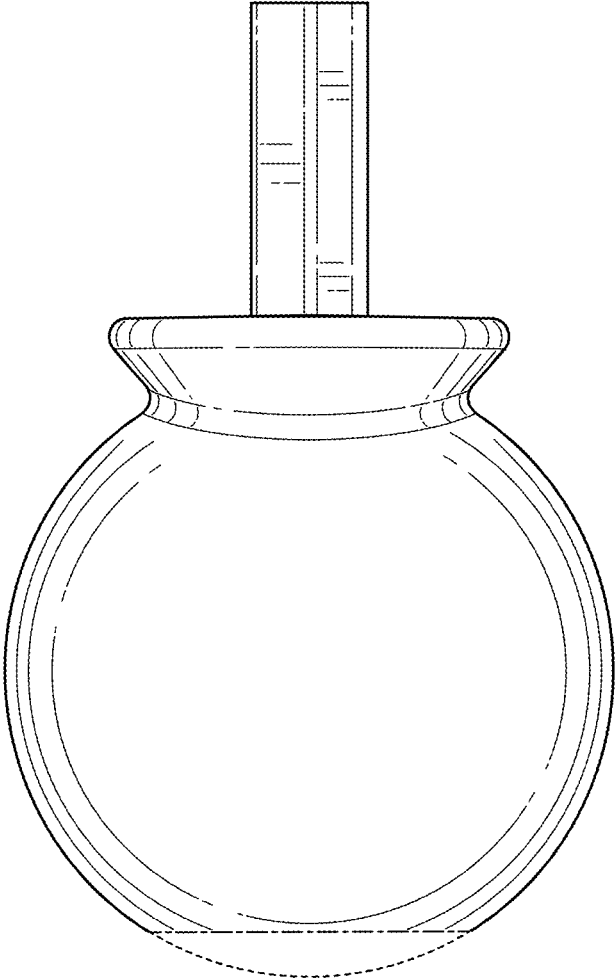


FIG. 5

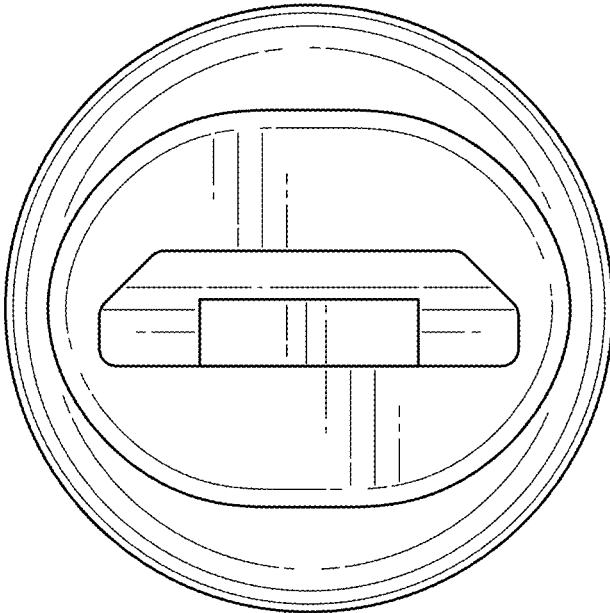


FIG. 6



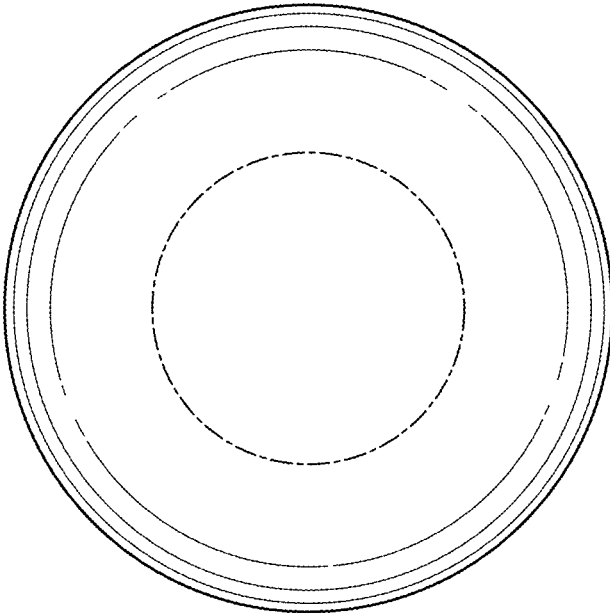


FIG. 7

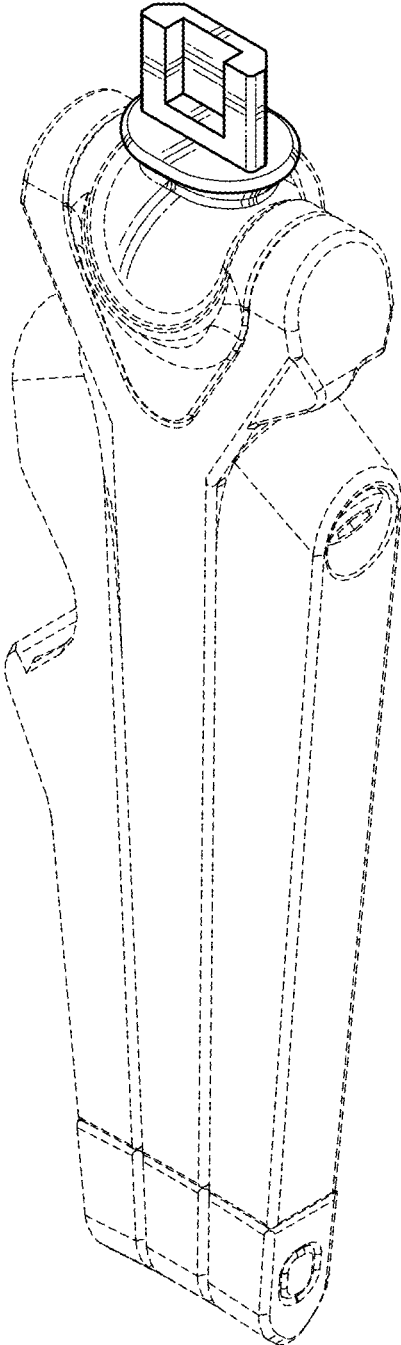


FIG. 8