



US00D779477S

(12) **United States Design Patent**  
**Carnevali**

(10) **Patent No.:** **US D779,477 S**

(45) **Date of Patent:** **\*\* Feb. 21, 2017**

(54) **SWING ARM CLAMP**

(71) Applicant: **Jeffrey D. Carnevali**, Seattle, WA (US)

(72) Inventor: **Jeffrey D. Carnevali**, Seattle, WA (US)

(\*\*) Term: **14 Years**

(21) Appl. No.: **29/479,705**

(22) Filed: **Jan. 17, 2014**

D596,012 S *	7/2009	Ferrer	.....	D8/355
7,849,630 B2 *	12/2010	Carnevali	.....	A01K 97/10
				43/21.2
RE42,060 E *	1/2011	Carnevali	.....	F16M 11/14
				248/181.1
7,891,618 B2 *	2/2011	Carnevali	.....	A47B 21/0314
				248/228.5
7,954,773 B2 *	6/2011	Carnevali	.....	B60N 3/103
				220/737
RE42,581 E *	8/2011	Carnevali	.....	F16M 11/14
				248/181.1
D654,120 S *	2/2012	Lin	.....	D14/434
8,235,340 B2 *	8/2012	Carnevali	.....	F16B 2/065
				248/231.71
RE43,806 E *	11/2012	Carnevali	.....	F16M 11/14
				248/181.1

**Related U.S. Application Data**

(63) Continuation-in-part of application No. 29/430,032, filed on Aug. 20, 2012, now abandoned.

(51) **LOC (10) Cl.** ..... **14-03**

(52) **U.S. Cl.**  
USPC ..... **D14/253**

(58) **Field of Classification Search**

USPC D14/140, 140.8, 142, 168, 204, 209.1, 217, D14/221, 243-256, 434, 447, 452; D3/215, 218, 269; D2/861; D6/300, 310, D6/467, 553-574; 292/342, 343; D19/90; D12/411, 415; D13/108; 379/446, 455; D8/355, 363, 72-73, 354, 394; 248/181.1

CPC ..... F16M 13/00; F16M 11/00  
See application file for complete search history.

(56) **References Cited**

**U.S. PATENT DOCUMENTS**

2,682,127 A *	6/1954	Binder	.....	A01K 97/10
				24/489
5,845,885 A *	12/1998	Carnevali	.....	F16M 11/14
				248/181.1
D521,850 S *	5/2006	Richter	.....	D8/354
D533,174 S *	12/2006	Richter	.....	D14/251
D564,062 S *	3/2008	Carnevali	.....	D22/147
D567,810 S *	4/2008	Yeh	.....	D14/253
7,464,814 B2 *	12/2008	Carnevali	.....	G06F 1/1626
				206/320
D588,903 S *	3/2009	Carnevali	.....	D8/355

(Continued)

*Primary Examiner* — Susan Bennett Hattan

*Assistant Examiner* — Janice Hallmark

(74) *Attorney, Agent, or Firm* — Charles J. Rupnick

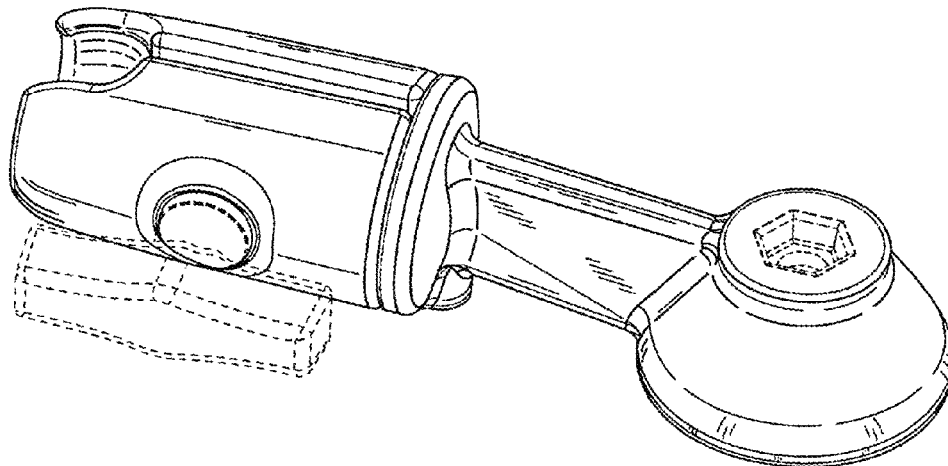
(57) **CLAIM**

The ornamental design for a swing arm clamp, as shown and described.

**DESCRIPTION**

FIG. 1 is a perspective view of a swing arm clamp showing my new design;  
FIG. 2 is a top elevational view thereof;  
FIG. 3 is a first side elevational view thereof;  
FIG. 4 is a front side elevational view thereof;  
FIG. 5 is a bottom elevational view thereof; and,  
FIG. 6 is a second side elevational view thereof.  
The dash-dash broken lines depict a clamp handle and parts of the swing arm clamp in FIGS. 1 through FIG. 5 that form no part of the claimed design. The dash-dot-dash broken lines depict the bounds of the claim in FIG. 5 and FIG. 6. All broken lines form no part of the claimed design.

**1 Claim, 3 Drawing Sheets**



(56)

**References Cited**

## U.S. PATENT DOCUMENTS

2005/0092877	A1*	5/2005	Carnevali	.....	F16M 11/40 248/160
2006/0000957	A1*	1/2006	Carnevali	.....	F16M 11/14 248/181.1
2006/0026807	A1*	2/2006	Carnevali	.....	B60R 11/0241 24/523
2006/0175766	A1*	8/2006	Carnevali	.....	B63B 49/00 277/628
2006/0256400	A1*	11/2006	Carnevali	.....	G06K 7/109 358/473
2007/0012825	A1*	1/2007	Yeh	.....	F16M 11/105 248/122.1
2008/0061197	A1*	3/2008	Carnevali	.....	F16M 11/14 248/181.1
2008/0061210	A1*	3/2008	Carnevali	.....	A47B 23/043 248/447
2009/0050758	A1*	2/2009	Carnevali	.....	F16B 47/00 248/205.8
2009/0108151	A1*	4/2009	Carnevali	.....	F16B 47/00 248/205.3
2009/0108152	A1*	4/2009	Carnevali	.....	F16B 47/00 248/205.5
2012/0317776	A1*	12/2012	Carnevali	.....	F16M 11/041 29/428
2013/0068915	A1*	3/2013	Yang	.....	F16M 11/041 248/551
2013/0206942	A1*	8/2013	Trotsky	.....	F16M 11/041 248/274.1

\* cited by examiner

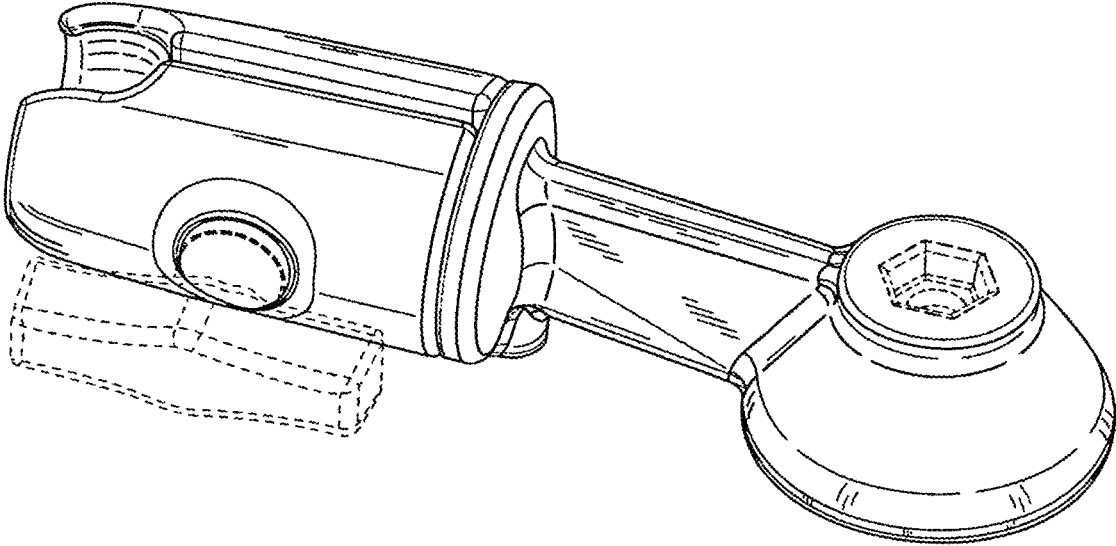


FIG. 1

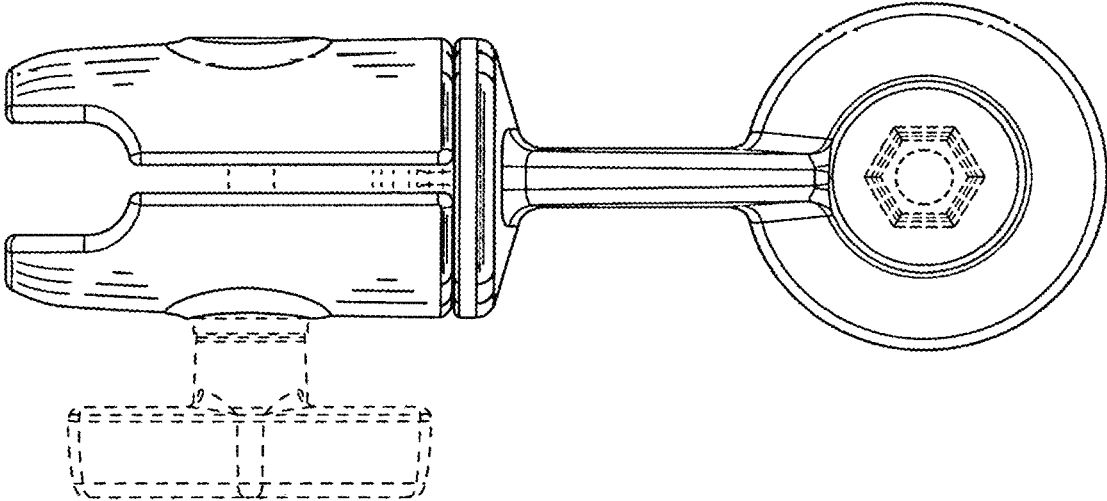


FIG. 2

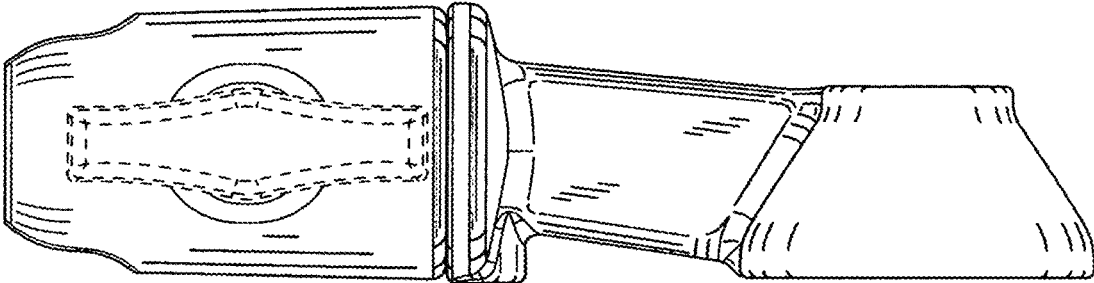


FIG. 3

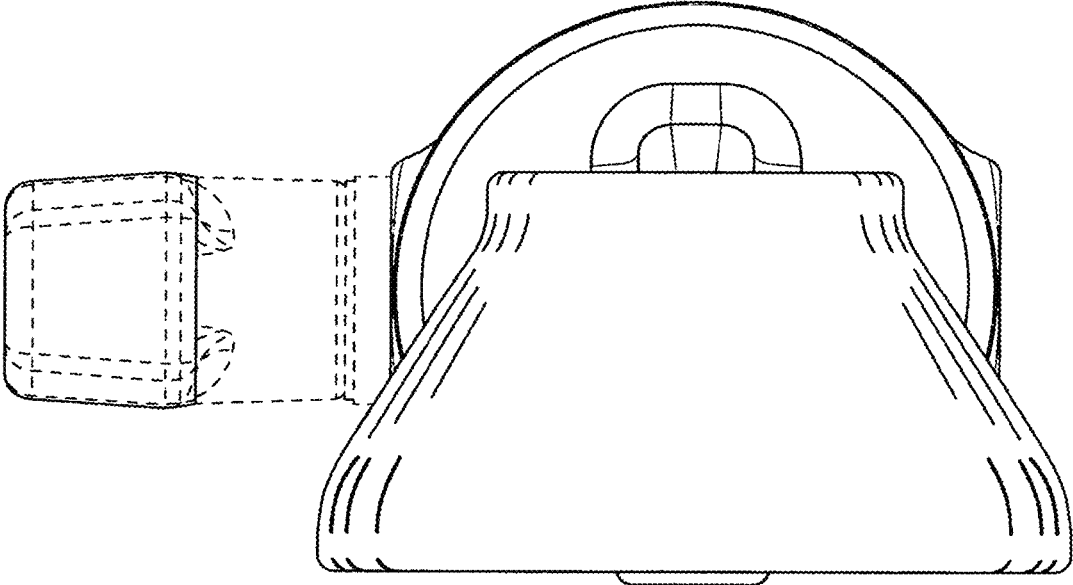


FIG. 4

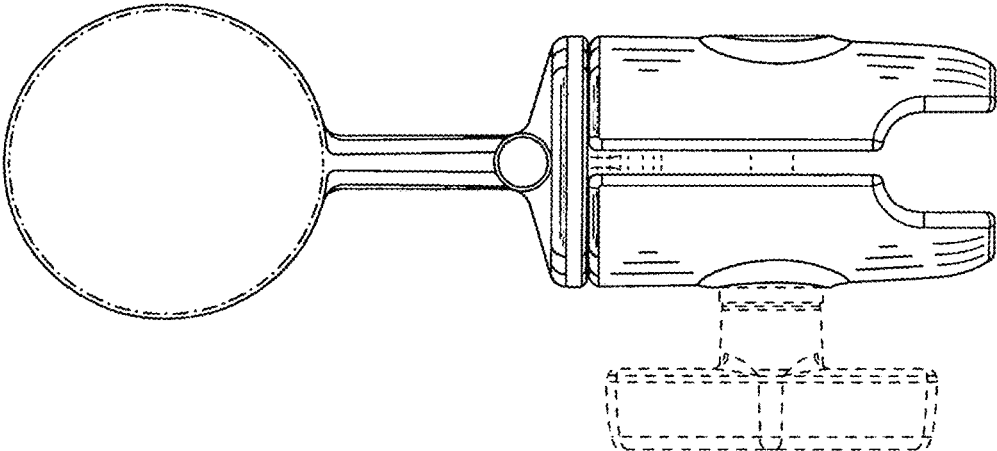


FIG. 5

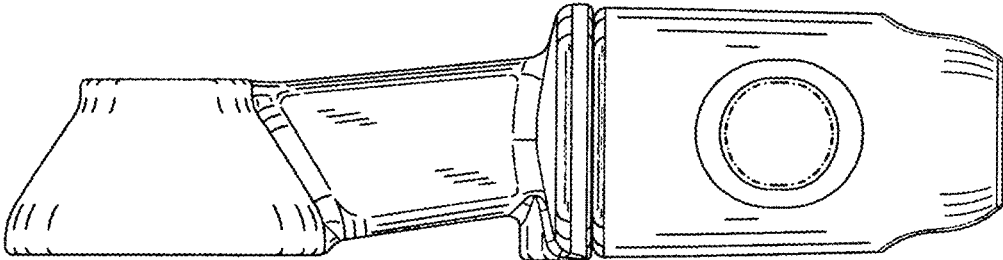


FIG. 6