



US00D902046S

(12) **United States Design Patent**
Zakka

(10) **Patent No.:** **US D902,046 S**

(45) **Date of Patent:** **** Nov. 17, 2020**

- (54) **BOTTLE WITH DETACHABLE HANDLE**
- (71) Applicant: **Richard Zakka**, Halcott Center, NY (US)
- (72) Inventor: **Richard Zakka**, Halcott Center, NY (US)
- (**) Term: **15 Years**
- (21) Appl. No.: **29/727,340**
- (22) Filed: **Mar. 10, 2020**
- (51) **LOC (12) Cl.** **09-01**
- (52) **U.S. Cl.**
USPC **D9/600; D9/520; D9/528**
- (58) **Field of Classification Search**
USPC D9/600, 667, 516, 520, 523–528, 530, D9/531, 534, 551, 559–560
CPC B65D 1/00; B65D 1/02; B65D 1/0223; B65D 1/40; B65D 23/00; B65D 23/10
See application file for complete search history.

D553,991 S *	10/2007	Wachsberg	D9/528
D555,493 S *	11/2007	Lockman	D9/551
D557,141 S *	12/2007	Pedmo	D9/541
D573,032 S *	7/2008	Lockman	B65D 1/0223
				D9/551
D580,768 S *	11/2008	Ferguson	D9/528
D610,913 S *	3/2010	Lesueur	D9/600
D659,010 S *	5/2012	Oommen	D9/600
D660,710 S *	5/2012	Kallenbach	D9/528
D744,349 S *	12/2015	Huey	B65D 23/10
				D9/600
D756,232 S *	5/2016	Dunster	B65D 23/10
				D9/531
D798,161 S *	9/2017	Bayani	B65D 1/0223
				D9/560
D833,882 S *	11/2018	Le Luherne	D9/600
D840,236 S *	2/2019	Arianpour	D9/534
2008/0083764 A1 *	4/2008	Kaminski	B65D 1/0223
				220/660

* cited by examiner

Primary Examiner — Sandra L Morris

(57) **CLAIM**

The ornamental design for a bottle with detachable handle, as shown and described.

(56) **References Cited**

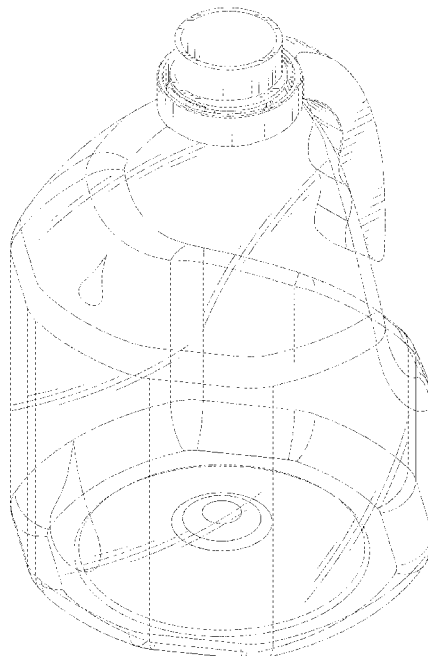
U.S. PATENT DOCUMENTS

2,831,593 A *	4/1958	Sterges	B65D 23/10
				215/398
2,831,594 A *	4/1958	Sterges	B65D 23/10
				215/398
D229,540 S *	12/1973	Anderson	D9/531
D351,347 S *	10/1994	Ring	D9/528
D371,969 S *	7/1996	Cabo	D9/600
D397,036 S *	8/1998	Katakouzinis	D9/520
5,833,115 A *	11/1998	Eiten	B65D 23/10
				220/669
D465,385 S *	11/2002	Miller	D9/538
D515,932 S *	2/2006	Sinclair	D9/528
D529,398 S *	10/2006	Van Dingenen	D9/528

DESCRIPTION

FIG. 1 is a front top left perspective view of a bottle with detachable handle;
 FIG. 2 is a rear bottom right perspective view thereof;
 FIG. 3 is a front elevational view thereof;
 FIG. 4 is a rear elevational view thereof;
 FIG. 5 is a top plan view thereof;
 FIG. 6 is a bottom plan view thereof;
 FIG. 7 is a right elevational view thereof; and,
 FIG. 8 is a left elevational view thereof.

1 Claim, 8 Drawing Sheets



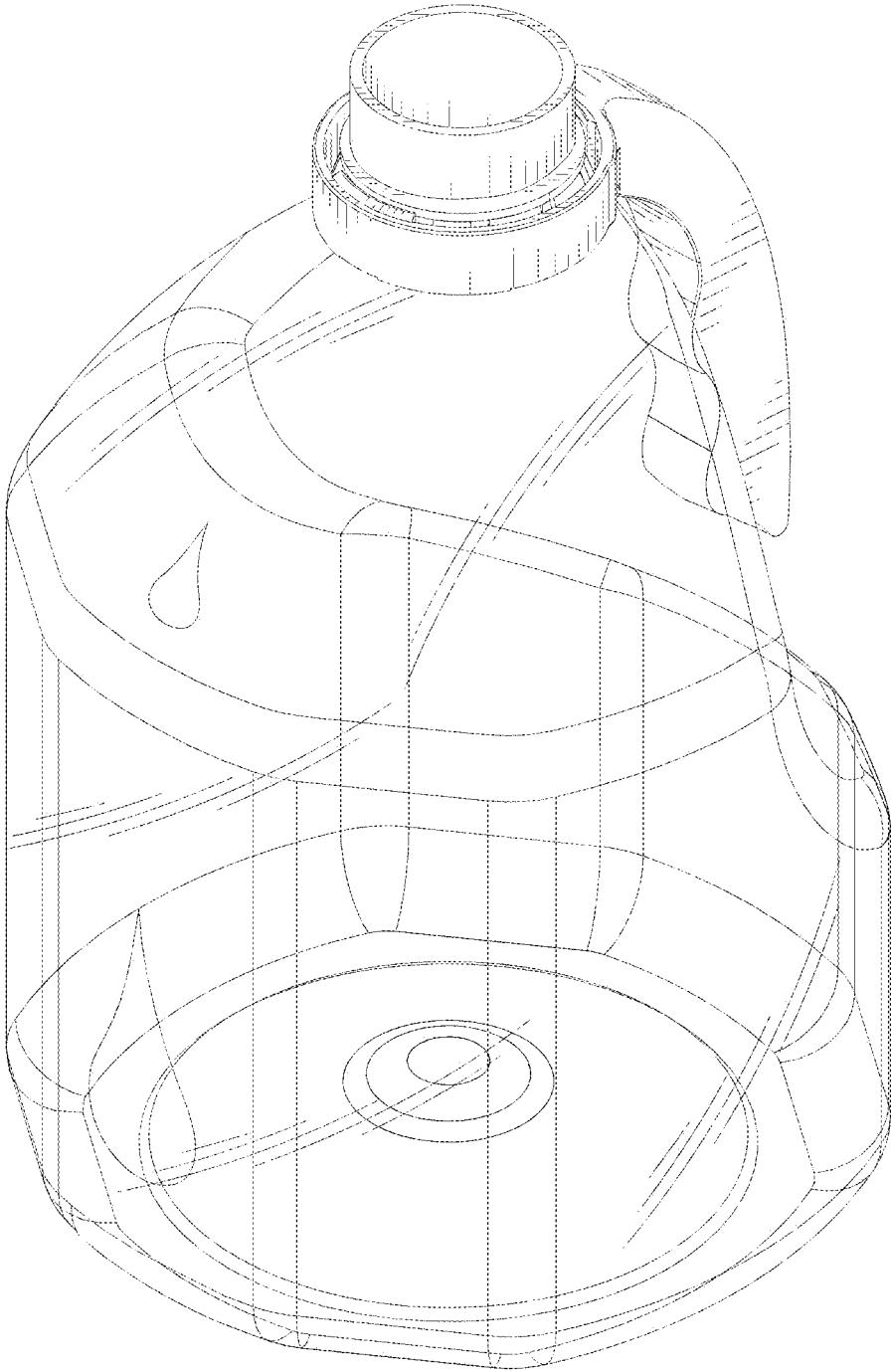


FIG. 1

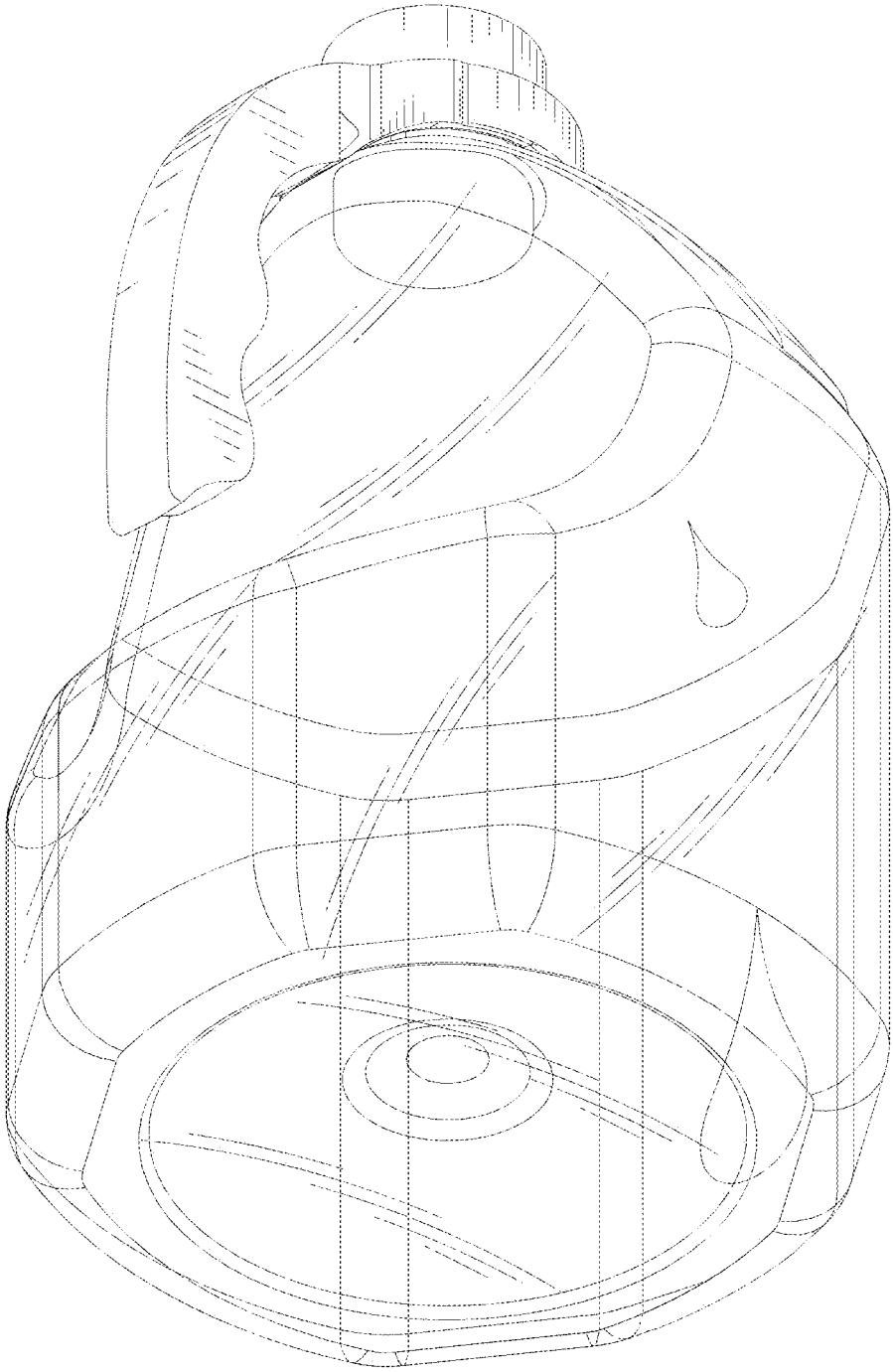


FIG. 2

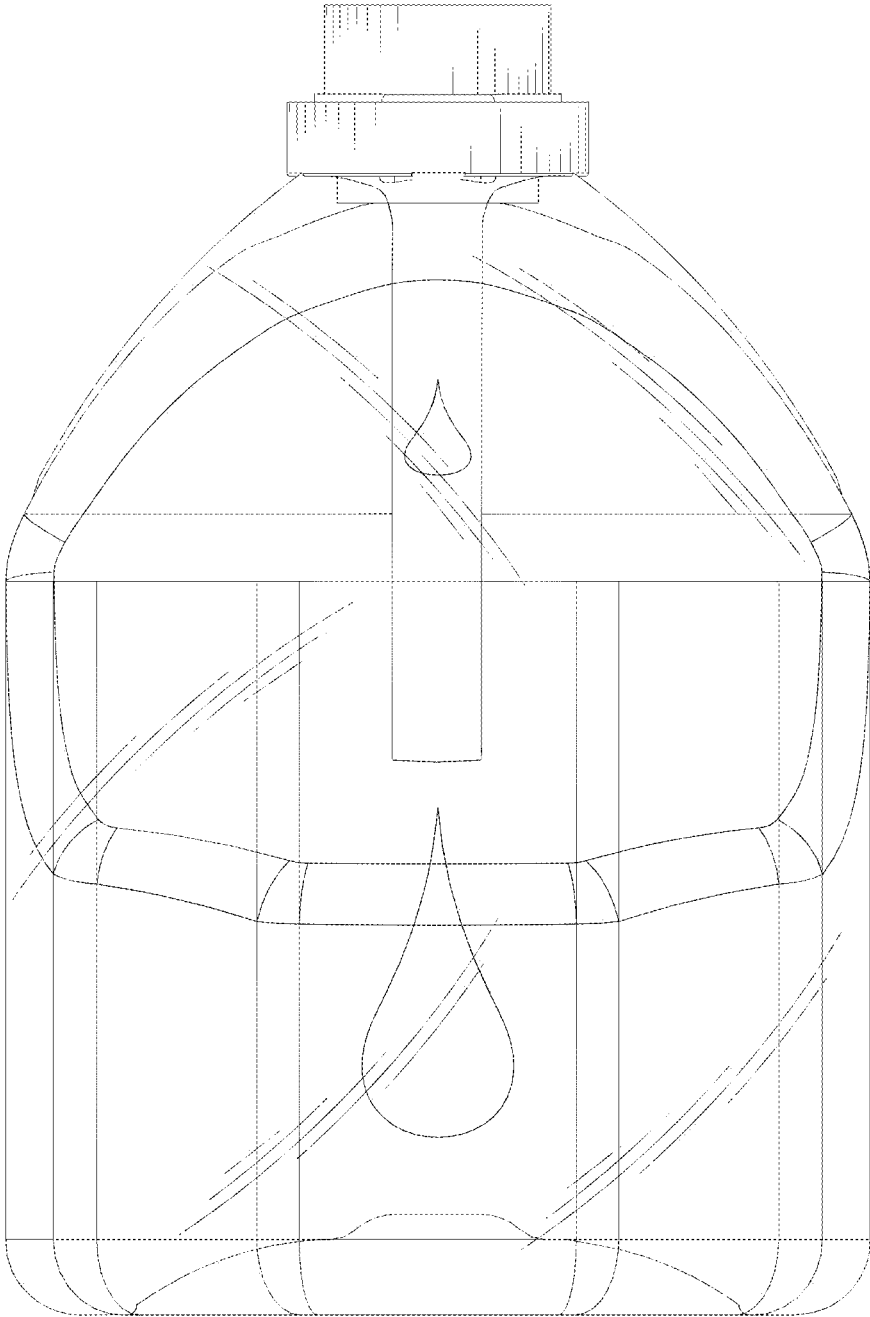


FIG. 3

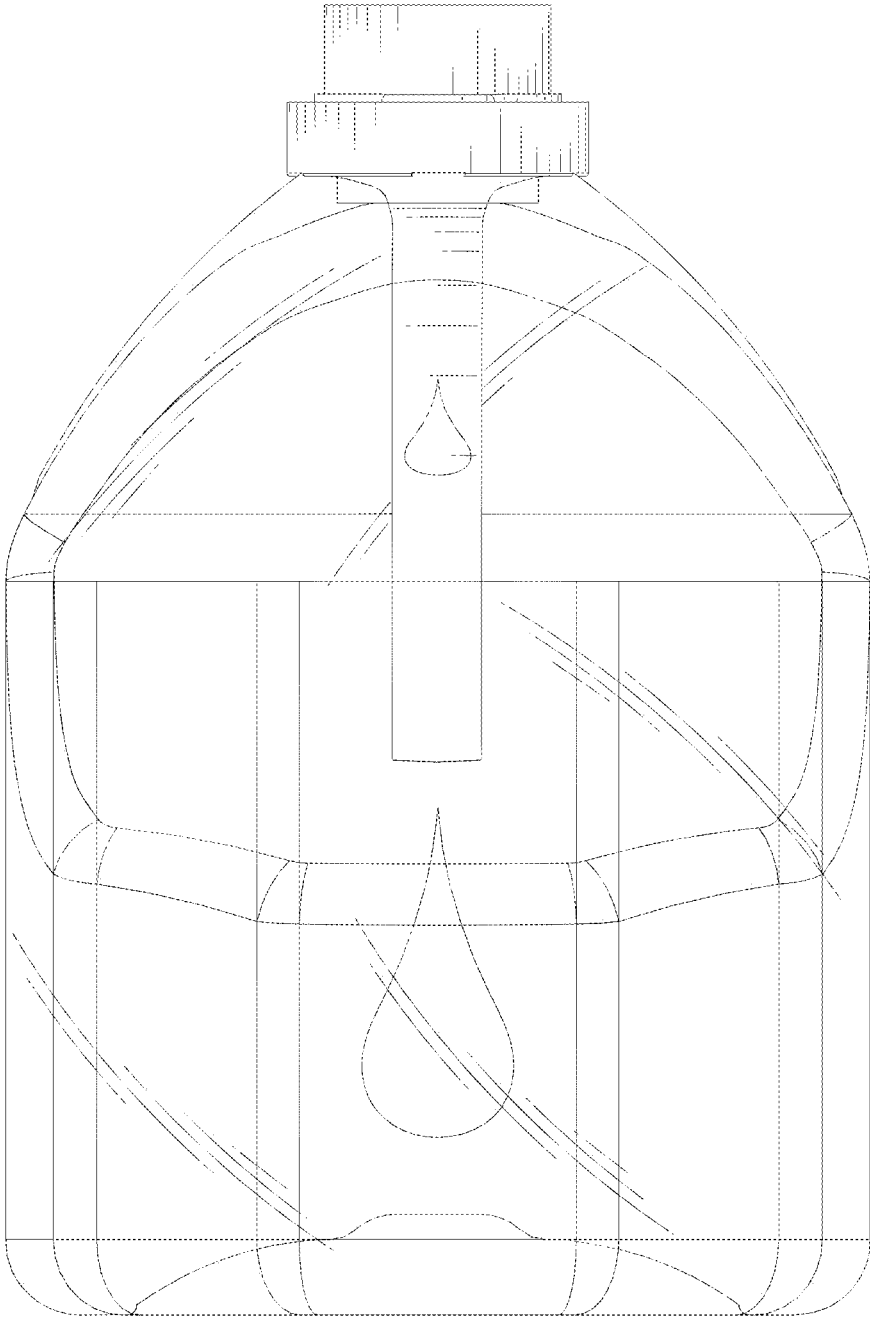


FIG. 4

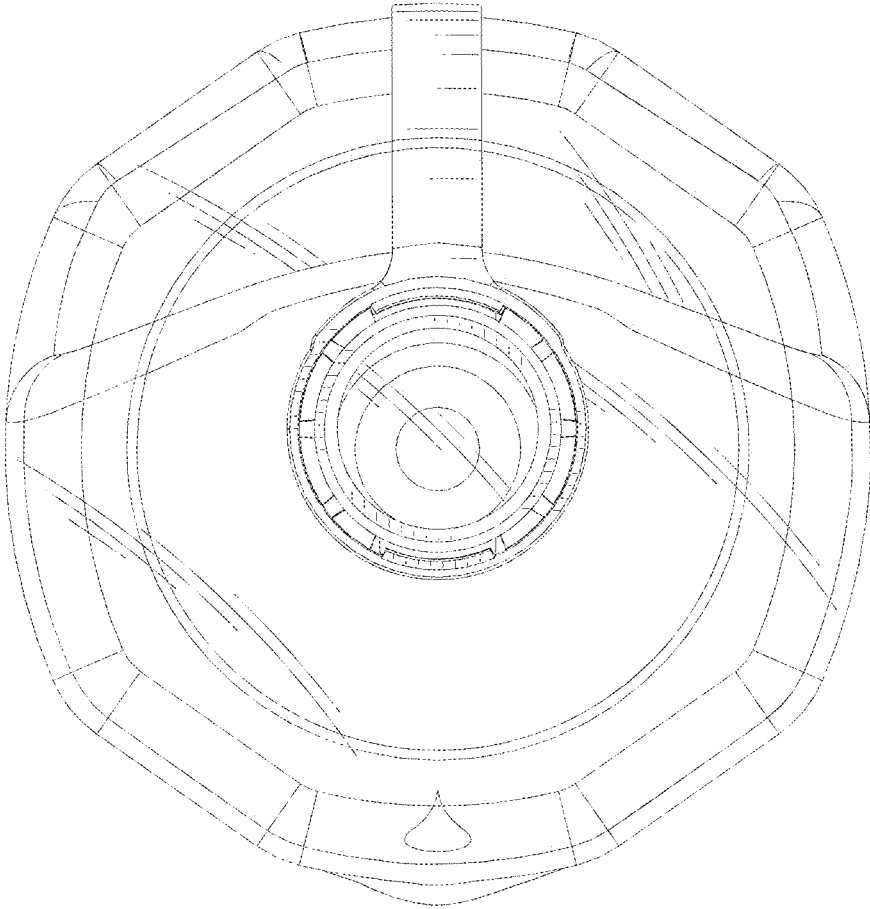


FIG. 5

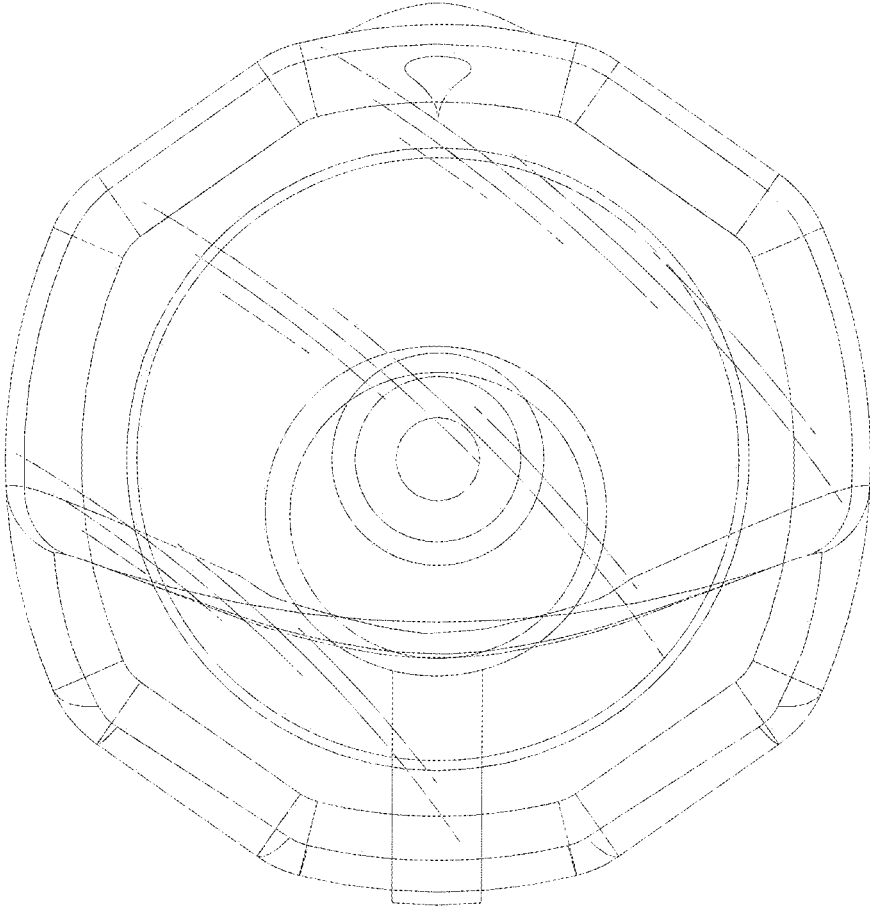


FIG. 6

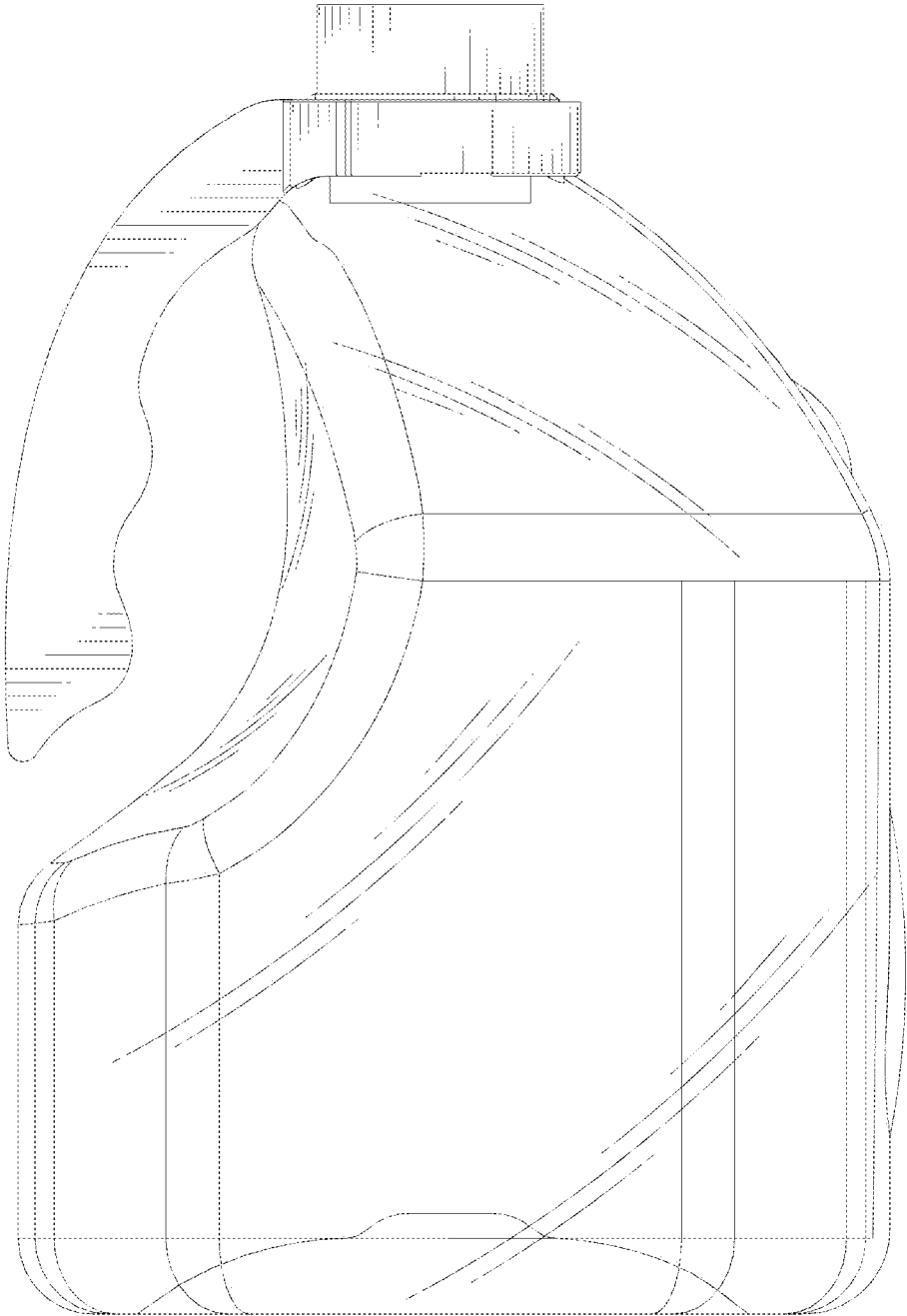


FIG. 7

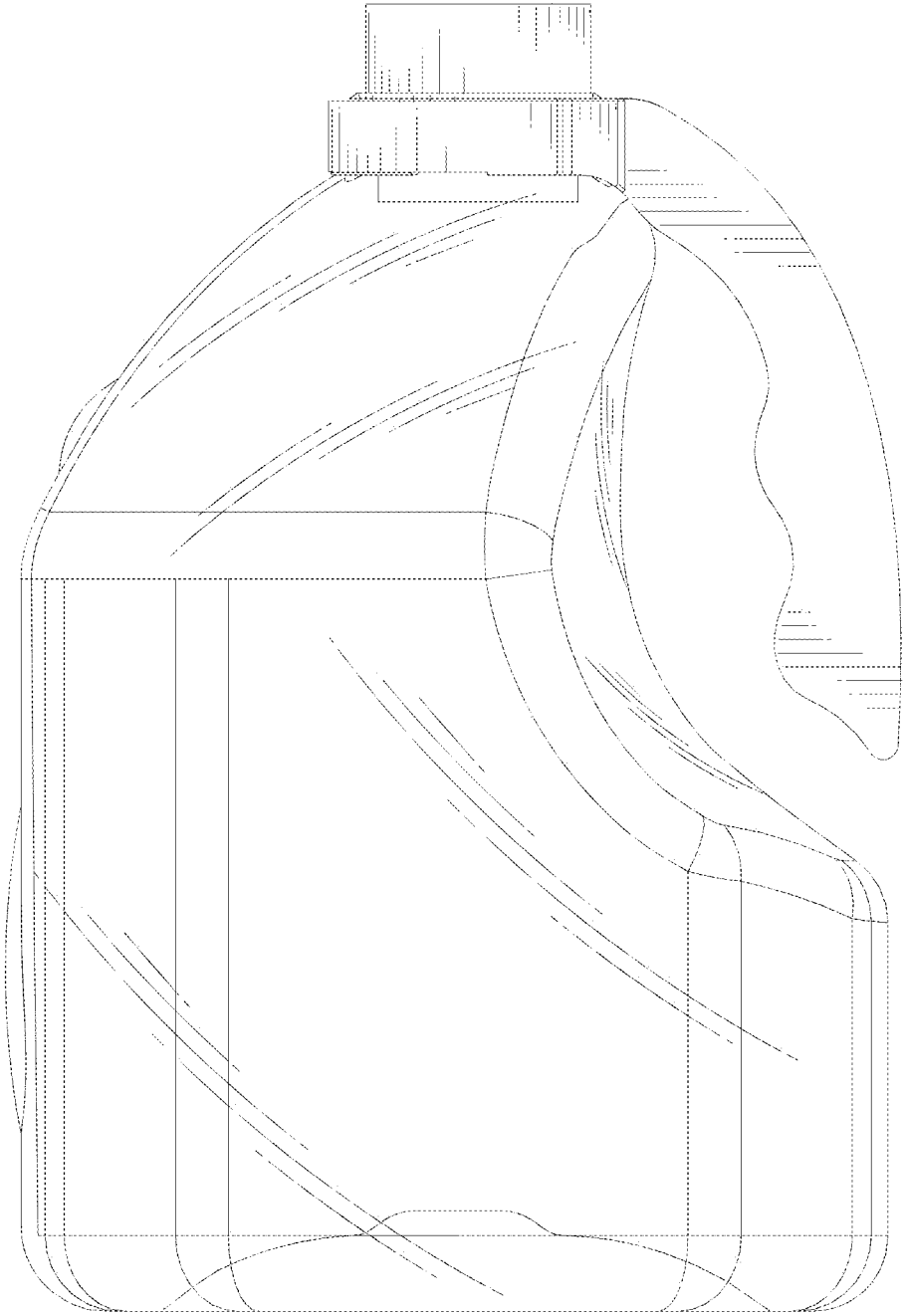


FIG. 8