



US00D770802S

(12) **United States Design Patent**
Harihar

(10) **Patent No.:** **US D770,802 S**

(45) **Date of Patent:** **** Nov. 8, 2016**

(54) **HERB HOLDER WITH SUCTION CUPS**

(71) Applicant: **Chandmany Harihar**, Haworth, NJ
(US)

(72) Inventor: **Chandmany Harihar**, Haworth, NJ
(US)

(**) Term: **14 Years**

(21) Appl. No.: **29/514,915**

(22) Filed: **Jan. 17, 2015**

(51) **LOC (10) Cl.** **06-06**

(52) **U.S. Cl.**
USPC **D6/558**

(58) **Field of Classification Search**
USPC D8/16, 19, 375, 374, 381, 382, 380,
D8/318, 373, 377, 363, 364, 358, 384, 376,
D8/385, 336, 388, 389, 355, 394, 356,
D8/396; D3/205; D6/525, 535, 546, 705.6,
D6/514, 553, 556, 565, 566, 558, 675.2,
D6/675.5, 677.2, 677.5, 680.3
CPC B25H 3/04; A47F 7/0021; A47B 81/007;
A47B 96/063
See application file for complete search history.

(56) **References Cited**

U.S. PATENT DOCUMENTS

D154,270 S * 6/1949 Hawn 248/113
D360,792 S * 8/1995 Sharpe D6/546

D394,969 S * 6/1998 Ho D6/524
D453,646 S * 2/2002 Gottwald D6/535
D540,085 S * 4/2007 Krumpe D6/546
D600,480 S * 9/2009 Koury D6/546

* cited by examiner

Primary Examiner — Robert M Spear
Assistant Examiner — Eliza Bennett-Hattan

(57) **CLAIM**

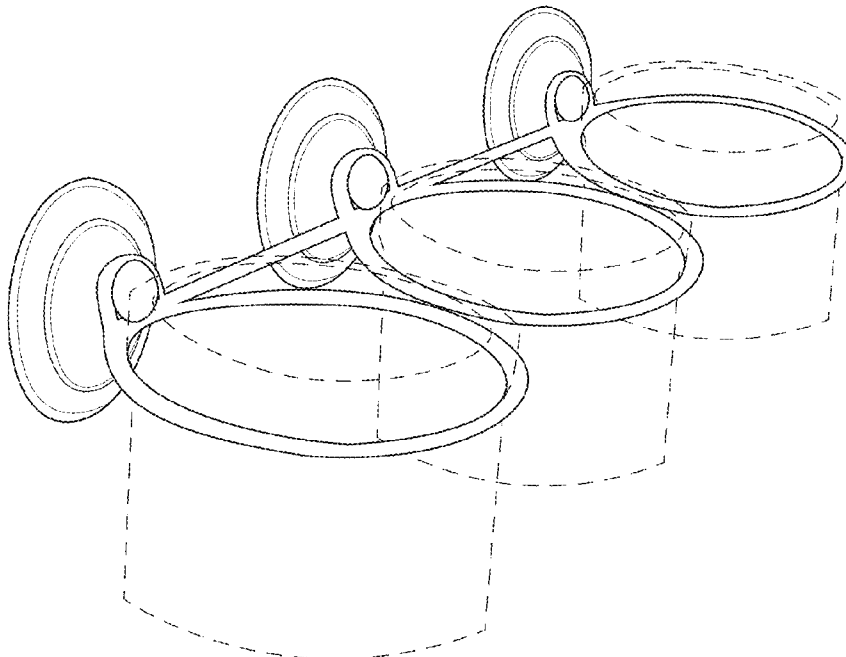
The ornamental design for an herb holder with suction cups, substantially shown and described.

DESCRIPTION

FIG. 1 is a front, top, left side perspective view of the herb holder of the new design;
FIG. 2 is a front view thereof;
FIG. 3 is a front, top, left side perspective view thereof;
FIG. 4 is a front view thereof;
FIG. 5 is a front, top perspective view thereof;
FIG. 6 is a top view thereof;
FIG. 7 is a bottom view thereof;
FIG. 8 is a left side view thereof, the right side being a mirror image; and,
FIG. 9 is a rear view thereof.

The broken lines showing structural elements in the drawings are included for the purpose of illustrating non-claimed subject matter, and form no part of the claimed design.

1 Claim, 5 Drawing Sheets



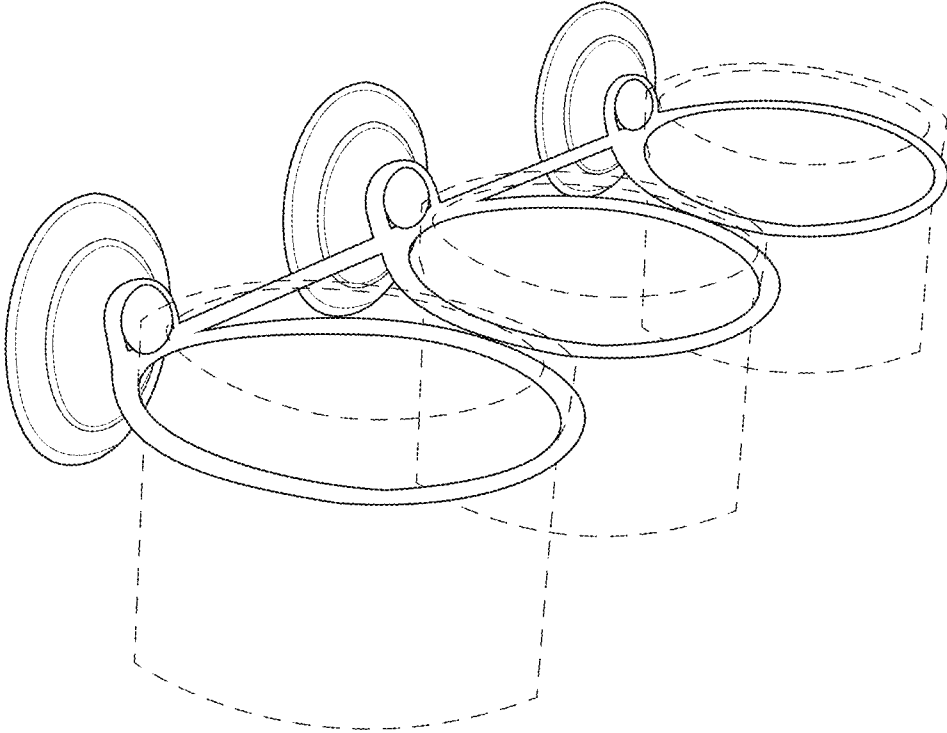


Fig. 1

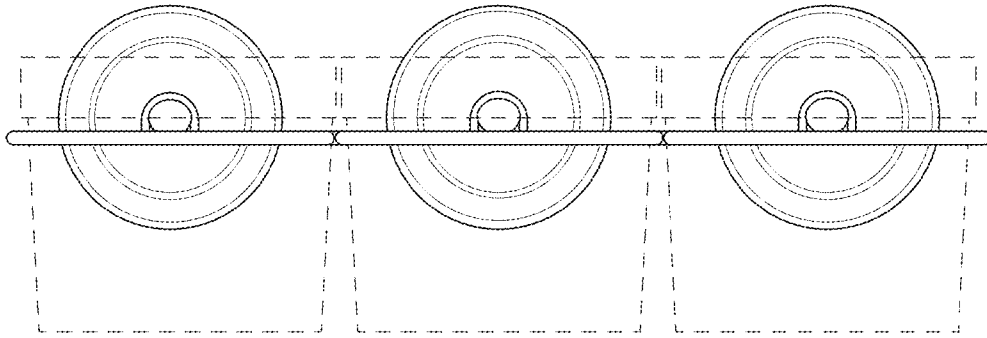


Fig. 2

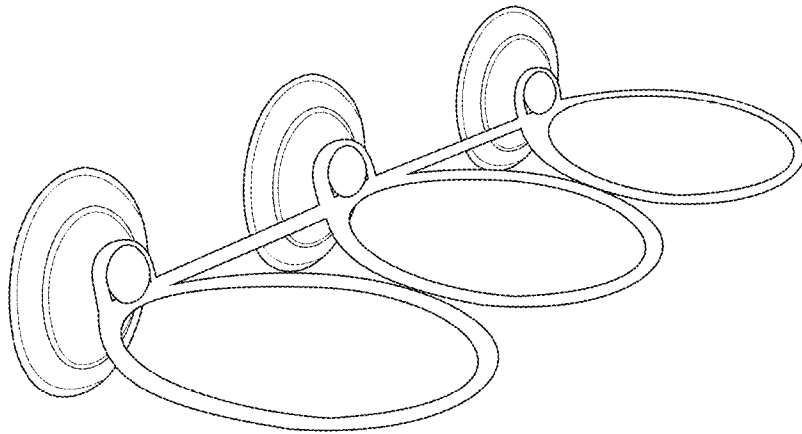


Fig. 3

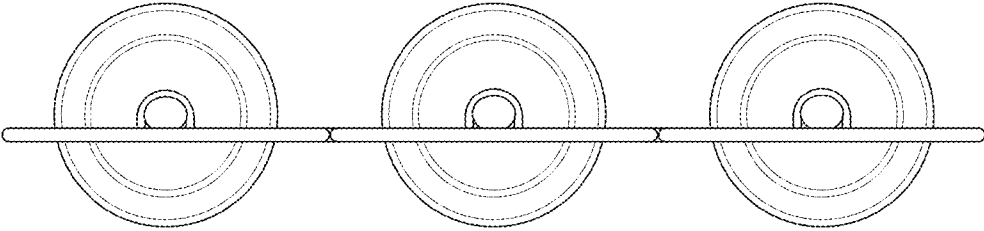


Fig. 4

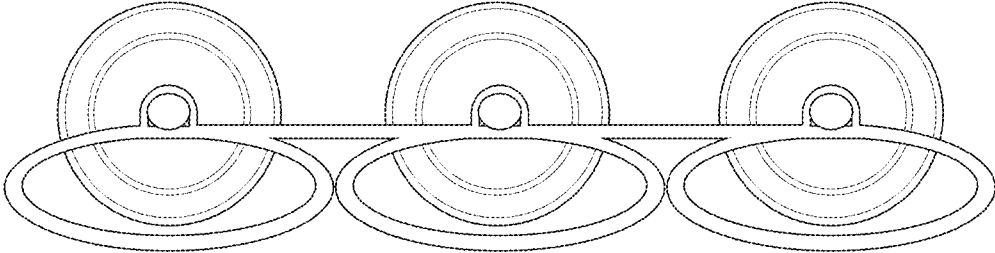


Fig. 5

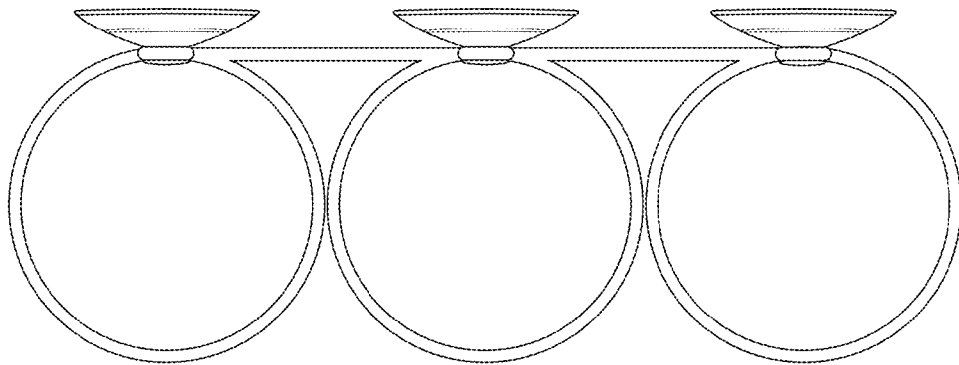


Fig. 6

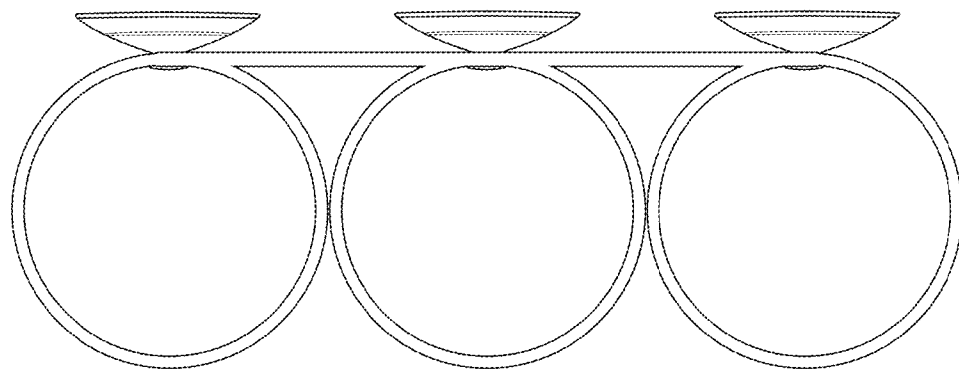


Fig. 7

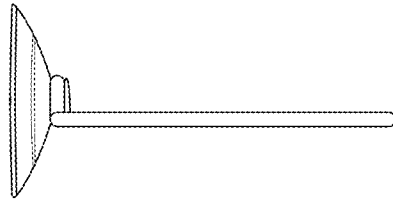


Fig. 8

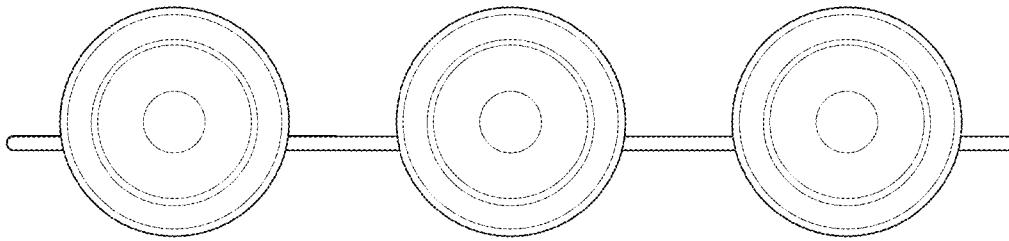


Fig. 9