



(51) International Patent Classification:

B65D 43/02 (2006.01) **B65D 47/20** (2006.01)
A47G 19/22 (2006.01) **B65D 47/08** (2006.01)
B65D 51/24 (2006.01)

(21) International Application Number:

PCT/US2012/054032

(22) International Filing Date:

6 September 2012 (06.09.2012)

(25) Filing Language:

English

(26) Publication Language:

English

(30) Priority Data:

13/226,346 6 September 2011 (06.09.2011) US
13/360,707 28 January 2012 (28.01.2012) US

(72) Inventor; and

(71) Applicant : **BUCK, Ronald Mark** [US/US]; 395 Hillcrest Drive, Encinitas, California 92024 (US).

(74) Agent: **MAYO, Joseph J.**; 7744 Herschel Ave., La Jolla, California 92037 (US).

(81) Designated States (unless otherwise indicated, for every kind of national protection available):

AE, AG, AL, AM, AO, AT, AU, AZ, BA, BB, BG, BH, BN, BR, BW, BY, BZ, CA, CH, CL, CN, CO, CR, CU, CZ, DE, DK, DM, DO, DZ, EC, EE, EG, ES, FI, GB, GD, GE, GH, GM, GT, HN, HR, HU, ID, IL, IN, IS, JP, KE, KG, KM, KN, KP, KR, KZ, LA, LC, LK, LR, LS, LT, LU, LY, MA, MD, ME, MG, MK, MN, MW, MX, MY, MZ, NA, NG, NI, NO, NZ, OM, PE, PG, PH, PL, PT, QA, RO, RS, RU, RW, SC, SD, SE, SG, SK, SL, SM, ST, SV, SY, TH, TJ, TM, TN, TR, TT, TZ, UA, UG, US, UZ, VC, VN, ZA, ZM, ZW.

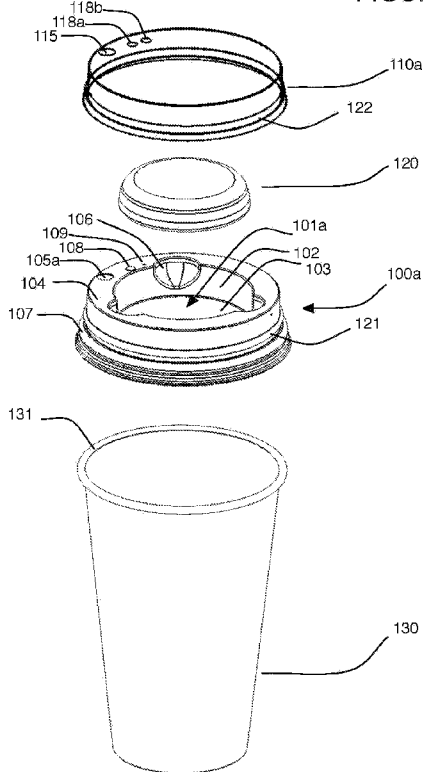
(84) Designated States (unless otherwise indicated, for every kind of regional protection available):

ARIPO (BW, GH, GM, KE, LR, LS, MW, MZ, NA, RW, SD, SL, SZ, TZ, UG, ZM, ZW), Eurasian (AM, AZ, BY, KG, KZ, RU, TJ, TM), European (AL, AT, BE, BG, CH, CY, CZ, DE, DK, EE, ES, FI, FR, GB, GR, HR, HU, IE, IS, IT, LT, LU, LV, MC, MK, MT, NL, NO, PL, PT, RO, RS, SE, SI, SK, SM, TR), OAPI (BF, BJ, CF, CG, CI, CM, GA, GN, GQ, GW, ML, MR, NE, SN, TD, TG).

[Continued on next page]

(54) Title: LID WITH INTEGRATED CONTAINER

FIGURE 1



(57) Abstract: Lid with integrated container(s) that couples with the top of a cup/can. The lid and cup/can form at least two containment volumes. Embodiments enable easy containment, inclusion of fresh food, transportation and access of solid or liquid in the container and cup/can without disengagement of the lid from the cup/can. Contents of the lid container may be accessed, partially consumed, replaced in the container and resealed at any time as desired by the user. Additionally, an independent drop-in container within the lid cavity may be resealed and removed from the lid cavity and taken to other locations such as home, work, or car. Simplifies eating and drinking from one unified container and cup in a theater or stadium having seats for example that provide one cup-holder per seat. Provides one free hand to hold a child's hand for safety while in stadiums and amusement parks.





Published:

(88) Date of publication of the international search report:

10 May 2013

- *with international search report (Art. 21(3))*
- *before the expiration of the time limit for amending the claims and to be republished in the event of receipt of amendments (Rule 48.2(h))*

A. CLASSIFICATION OF SUBJECT MATTER*B65D 43/02(2006.01)i, A47G 19/22(2006.01)i, B65D 51/24(2006.01)i, B65D 47/20(2006.01)i, B65D 47/08(2006.01)i*

According to International Patent Classification (IPC) or to both national classification and IPC

B. FIELDS SEARCHED

Minimum documentation searched (classification system followed by classification symbols)

IPC: B65D 43/02; A47G 19/22; B65D 47/06; B65D 51/24; B65D 47/20; B65D 47/08

Documentation searched other than minimum documentation to the extent that such documents are included in the fields searched

Korean utility models and applications for utility models

Japanese utility models and applications for utility models

Electronic data base consulted during the international search (name of data base and, where practicable, search terms used)

eKOMPASS(KIPO internal) & Keywords: lid, cover, store, hinge, rotate and similar terms

C. DOCUMENTS CONSIDERED TO BE RELEVANT

Category*	Citation of document, with indication, where appropriate, of the relevant passages	Relevant to claim No.
X	EP 1397986 A1 (ZAGOYAN, GERARD) 17 March 2004	1-2, 5, 8, 10, 19-21
Y	See paragraphs [0019] - [0022], [0024], [0025] and figures 2, 3.	3-4, 6-7, 11-18
A		, 24-25, 29
		9, 22-23, 26-28, 30
Y	US 2008-0230541 A1 (BAYSS, GEORGE LEONARD et al.) 25 September 2008 See paragraphs [0075], [0081] and figures 7, 7A.	3
Y	US 2009-0250479 A1 (KAUFMAN, LARRY et al.) 8 October 2009 See paragraph [0016] and figures 1A - 2B.	4
Y	US 6299014 B1 (NAVA, JOHN et al.) 9 October 2001 See column 15, lines 5 - 12 and figure 45.	6, 11-18
Y	US 6793075 B1 (JETER, MICHAEL) 21 September 2004 See column 1, lines 46 - 50, lines 57 - 58, column 2, lines 36 - 39 and figure 1.	7
Y	US 2004-0089662 A1 (SMITH, STEPHEN ALAN et al.) 13 May 2004 See paragraphs [0091], [0093], [0094], [0096], [0103], [0112] and figures 5 - 7.	24-25, 29

 Further documents are listed in the continuation of Box C. See patent family annex.

* Special categories of cited documents:

"A" document defining the general state of the art which is not considered to be of particular relevance

"E" earlier application or patent but published on or after the international filing date

"L" document which may throw doubts on priority claim(s) or which is cited to establish the publication date of citation or other special reason (as specified)

"O" document referring to an oral disclosure, use, exhibition or other means

"P" document published prior to the international filing date but later than the priority date claimed

"T" later document published after the international filing date or priority date and not in conflict with the application but cited to understand the principle or theory underlying the invention

"X" document of particular relevance; the claimed invention cannot be considered novel or cannot be considered to involve an inventive step when the document is taken alone

"Y" document of particular relevance; the claimed invention cannot be considered to involve an inventive step when the document is combined with one or more other such documents, such combination being obvious to a person skilled in the art

"&" document member of the same patent family

Date of the actual completion of the international search

15 MARCH 2013 (15.03.2013)

Date of mailing of the international search report

19 MARCH 2013 (19.03.2013)

Name and mailing address of the ISA/KR

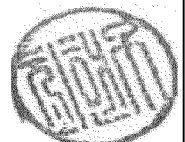


Facsimile No. 82-42-472-7140

Authorized officer

CHOI, Hyun Goo

Telephone No. 82-42-481-8288



INTERNATIONAL SEARCH REPORT

Information on patent family members

International application No.

PCT/US2012/054032

Patent document cited in search report	Publication date	Patent family member(s)	Publication date
EP 1397986 A1	17.03.2004	FR 2844172 A1	12.03.2004
US 2008-0230541 A1	25.09.2008	AU 2006-218254 A1	31.08.2006
		CA 2599245 A1	31.08.2006
		CN 101160243 A0	09.04.2008
		CN 101160243 B	19.05.2010
		JP 2008-531417 A	14.08.2008
		WO 2006-089375 A1	31.08.2006
US 2009-0250479 A1	08.10.2009	WO 2009-126555 A2	15.10.2009
		WO 2009-126555 A3	04.03.2010
US 6299014 B1	09.10.2001	AU 1999-23347 A1	17.04.2000
		AU 1999-23347 B2	29.08.2002
		CN 1131830 C0	24.12.2003
		CN 1297452 C0	31.01.2007
		CN 1328522 A0	26.12.2001
		CN 1515474 A	28.07.2004
		CN 1515474 C0	31.01.2007
		EP 1123245 A1	16.08.2001
		EP 1123245 A4	06.05.2004
		EP 1123245 B1	26.04.2006
		JP 03-624258 B2	02.03.2005
		JP 2002-525249 A	13.08.2002
		JP 2004-352373 A	16.12.2004
		US 06070752 A	06.06.2000
		US 6196411 B1	06.03.2001
		US 6302288 B1	16.10.2001
		WO 00-18662 A1	06.04.2000
US 6793075 B1	21.09.2004	US 2005-0051449 A1	10.03.2005
		US 7014066 B2	21.03.2006
US 2004-0089662 A1	13.05.2004	AR 045890 A1	16.11.2005
		AU 2002-355395 A2	24.02.2003
		AU 2002-355395 B2	06.11.2008
		CA 2456794 A1	20.02.2003
		CA 2456794 C	18.12.2007
		CA 2532987 A1	24.02.2005
		CL 9382004 A1	18.02.2005
		CN 1610635 A	27.04.2005
		CN 1610635 B	07.12.2011
		EP 1429974 A2	23.06.2004
		EP 1429974 B1	21.03.2007
		EP 1646568 A1	19.04.2006
		EP 1799556 A2	27.06.2007
		EP 2133282 A1	16.12.2009
		IL 172872 D0	11.06.2006
		JP 04-068558 B2	26.03.2008

INTERNATIONAL SEARCH REPORT

Information on patent family members

International application No.

PCT/US2012/054032

Patent document cited in search report	Publication date	Patent family member(s)	Publication date
		JP 2004-537479 A	16.12.2004
		JP 2007-521192 A	02.08.2007
		KR 10-0848726 B1	25.07.2008
		MX PA06000743 A	04.05.2006
		NO 20056243 A	06.04.2006
		PA 8605501 A1	03.03.2005
		US 2003-0024929 A1	06.02.2003
		US 2003-0197012 A1	23.10.2003
		US 2004-0035868 A1	26.02.2004
		US 2005-0127075 A1	16.06.2005
		US 2006-0000832 A1	05.01.2006
		US 2008-0029512 A1	07.02.2008
		US 2008-0128417 A1	05.06.2008
		US 2011-0089174 A1	21.04.2011
		US 6732875 B2	11.05.2004
		US 7156251 B2	02.01.2007
		US 7159732 B2	09.01.2007
		US 7246715 B2	24.07.2007
		US 7731047 B2	08.06.2010
		WO 03-013969 A2	20.02.2003
		WO 2005-016778 A1	24.02.2005
		WO 2006-039044 A2	13.04.2006