



US00D830455S

(12) **United States Design Patent** (10) **Patent No.:** **US D830,455 S**
Costas (45) **Date of Patent:** **** Oct. 9, 2018**

(54) **DRY ERASE BOARD WITH NOTE HOLDER**

FOREIGN PATENT DOCUMENTS

(71) Applicant: **Trophius Pty Ltd.**, Cremorne (AU)

AU 346443 1/2013
AU 346543 1/2013

(72) Inventor: **Eric Costas**, Cremorne (AU)

OTHER PUBLICATIONS

(73) Assignee: **Trophius Pty Ltd.**, Cremorne (AU)

“Office Depot Brand 4-Piece Stainless Steel Magnet Hook Set, Assorted Shapes (No Shape Choice)”; Office Depot; disclosure date unknown but prior to date of filing the present application; URL: <<http://www.officedepot.com/a/products/352108/Office-Depot-Brand-4-Piece-Stainless/>>.

(**) Term: **15 Years**

(21) Appl. No.: **29/584,503**

(22) Filed: **Nov. 15, 2016**

(51) **LOC (11) Cl.** **19-06**

Primary Examiner — Derrick Holland

(52) **U.S. Cl.**

Assistant Examiner — Andrew Kerr

USPC **D19/113**

(74) *Attorney, Agent, or Firm* — Banner & Witcoff, Ltd.

(58) **Field of Classification Search**

USPC D8/349, 394, 395; D19/113, 114, 75, 77,
D19/20, 21, 22, 1, 2, 100, 101, 102, 65,
D19/86, 88, 90, 91; D20/10, 19, 27, 39,
D20/41; D6/300; D14/448
CPC B43L 1/00; B43L 1/04; B43L 1/06; B43L
1/10; B43L 3/00; B43L 3/008; B43L
5/00; G06F 15/00; G06F 15/0006; G06F
15/0018; G06F 15/0056; G09F 15/00;
G09F 15/0018; F16B 5/121

(57) **CLAIM**

The ornamental design for a dry erase board with note holder, as shown and described.

See application file for complete search history.

DESCRIPTION

FIG. 1 is a front perspective view of a dry erase board with note holder showing my new design; FIG. 2 is a front view thereof; FIG. 3 is a bottom view thereof; FIG. 4 is a top view thereof; FIG. 5 is a right side view thereof; and, FIG. 6 is a left side view thereof.

The broken lines immediately adjacent to the shaded areas of the dry erase board with note holder define the bounds of the claimed design and form no part thereof. All other broken lines represent environmental structure and form no part of the claimed design.

The dry erase board with note holder is shown with a symbolic break in its length and width. The appearance of any portion of the article between the break lines forms no part of the claimed design.

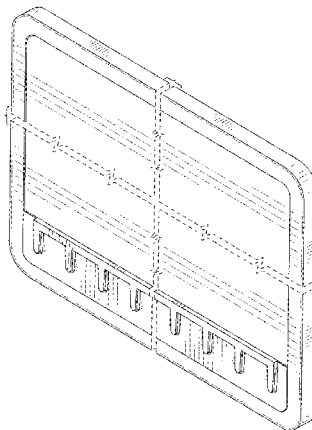
(56) **References Cited**

U.S. PATENT DOCUMENTS

D251,124 S	2/1979	Takeuchi	
D327,095 S	6/1992	Meyer	
5,176,522 A *	1/1993	Robertson, Jr. B43L 1/00 434/408
D451,134 S	11/2001	Fonfeder	
D487,289 S	3/2004	Richter	
D496,068 S	9/2004	Mandel	
D507,302 S	7/2005	Chen et al.	
D507,812 S *	7/2005	Cesaroni D19/113
D521,068 S	5/2006	Newbould	
7,040,051 B2	5/2006	Windorski	
D586,396 S	2/2009	Kang	
D589,089 S	3/2009	Loerakker et al.	
D589,560 S	3/2009	Beno et al.	

(Continued)

1 Claim, 4 Drawing Sheets



(56)

References Cited

U.S. PATENT DOCUMENTS

D607,058 S * 12/2009 Kim D19/86
D617,565 S * 6/2010 Mischel, Jr. D6/300
D623,227 S * 9/2010 Hoch D19/113
D623,693 S * 9/2010 Hoch D19/113
7,874,842 B2 1/2011 Beno
D645,515 S 9/2011 Williams, Sr.
D667,413 S * 9/2012 Song D14/448
D669,532 S 10/2012 Killian
D715,859 S 10/2014 Costas
D715,860 S 10/2014 Costas
D715,861 S 10/2014 Costas
D716,377 S 10/2014 Costas
D719,217 S 12/2014 Costas
D719,218 S 12/2014 Costas
9,090,116 B2 * 7/2015 Tunis F41H 5/08
D752,145 S 3/2016 Killian
D753,222 S 4/2016 Costas
D755,892 S 5/2016 Costas
D776,759 S 1/2017 Costas
D778,356 S 2/2017 Costas
D794,121 S 8/2017 Costas
D794,122 S 8/2017 Costas
D794,123 S 8/2017 Costas
D794,124 S 8/2017 Costas
D794,125 S 8/2017 Costas
D809,599 S * 2/2018 Costas D19/113
D811,478 S * 2/2018 Costas D19/86
D818,357 S * 5/2018 Cummings D8/394
2013/0200228 A1 8/2013 Costas

* cited by examiner

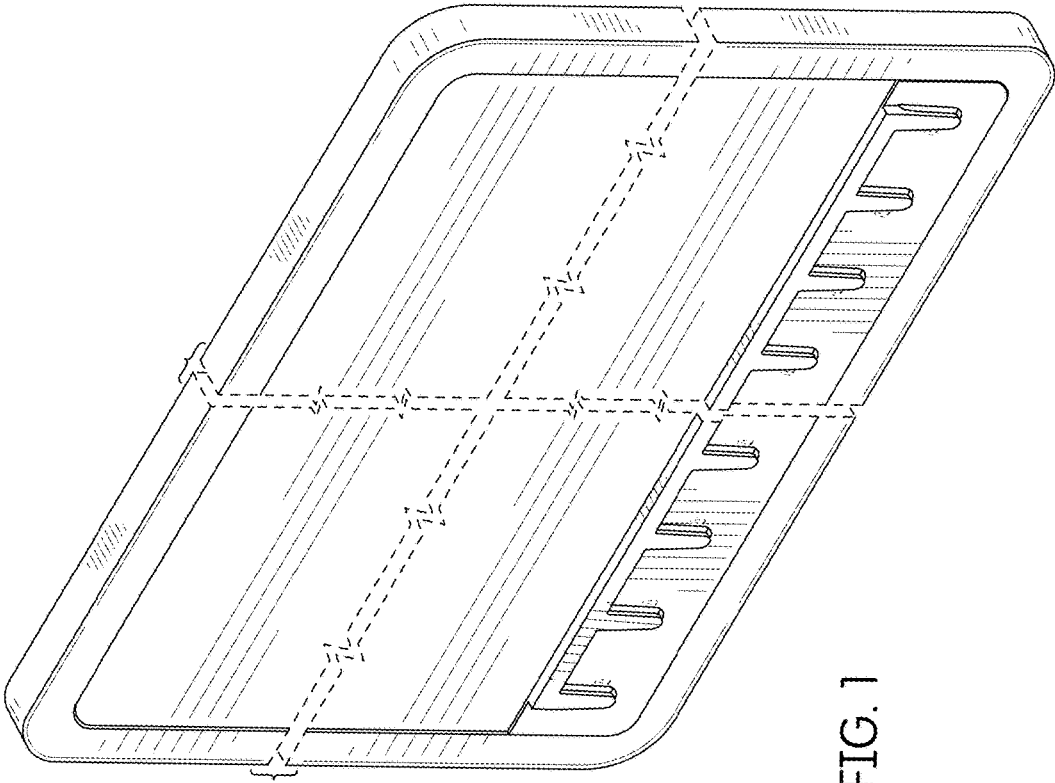


FIG. 1

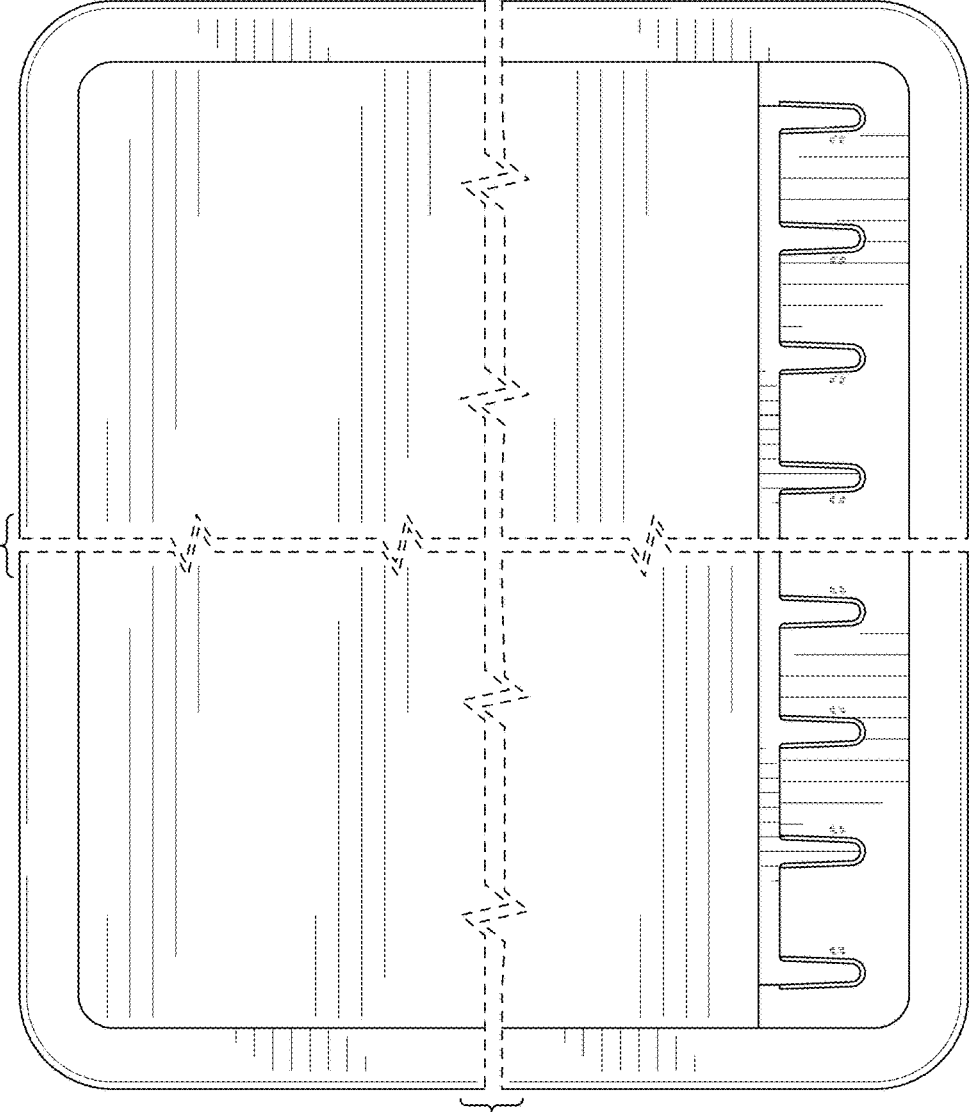


FIG. 2

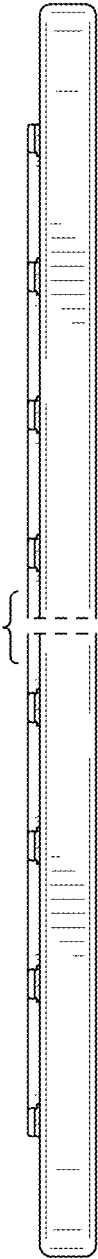


FIG. 3

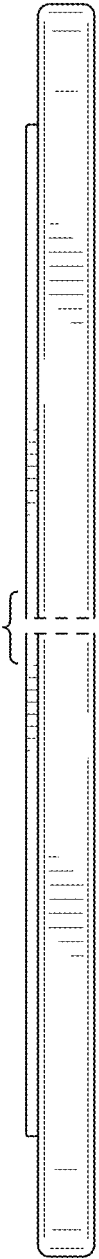


FIG. 4



FIG. 6

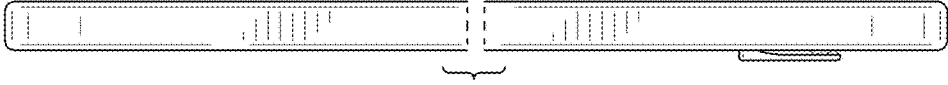


FIG. 5