



(12) **United States Design Patent**
Renvall

(10) **Patent No.:** **US D867,629 S**
(45) **Date of Patent:** **** Nov. 19, 2019**

- (54) **LED LIGHT**
- (71) Applicant: **Anders Renvall**, Nykarleby (FI)
- (72) Inventor: **Anders Renvall**, Nykarleby (FI)
- (73) Assignee: **Herrmans OY AB**, Pietarsaari (FI)
- (**) Term: **15 Years**
- (21) Appl. No.: **29/620,919**
- (22) Filed: **Aug. 17, 2017**
- (30) **Foreign Application Priority Data**

Feb. 17, 2017 (EM) 003757137-0002

- (51) **LOC (12) Cl.** **26-06**
- (52) **U.S. Cl.**
USPC **D26/28; D26/63**
- (58) **Field of Classification Search**
USPC D26/24, 28, 63, 66, 67, 74, 118;
D14/371
CPC F21V 21/30; F21V 29/74; F21V 29/763;
F21V 5/045; F21V 15/01; F21V 23/007;
F21V 29/76; F21V 5/048; F21Y 2115/10;
F21S 45/47

See application file for complete search history.

(56) **References Cited**

U.S. PATENT DOCUMENTS

D190,922	S	*	7/1961	Anthony	D26/24
4,527,224	A	*	7/1985	Sangiamo	F16M 11/08 362/269
D283,925	S	*	5/1986	Sangiamo	D26/24
D300,864	S	*	4/1989	Titmarsh	D26/24
D319,891	S	*	9/1991	Giese	D26/24
5,086,379	A	*	2/1992	Denison	F21S 8/081 248/289.11
D355,502	S	*	2/1995	Liao	D26/63
D550,880	S	*	9/2007	Korpi	D26/63

D551,372	S	*	9/2007	Korpi	D26/63
D564,688	S	*	3/2008	Korpi	D26/63
D564,689	S	*	3/2008	Korpi	D26/63
D573,285	S	*	7/2008	Zettl	D26/63
D606,691	S	*	12/2009	Lindholm	D26/63
D642,717	S	*	8/2011	Lindholm	D26/63
D642,718	S	*	8/2011	Lindholm	D26/63
D642,719	S	*	8/2011	Lindholm	D26/63
D648,479	S	*	11/2011	Herman	D26/118
D693,509	S	*	11/2013	Hosick	D26/63
D697,241	S	*	1/2014	Chen	D26/28

(Continued)

OTHER PUBLICATIONS

“YouTube—Nordic Lights—Go Series LED Lights—Agriculture.”
Found online Jan. 2, 2019 at www.youtube.com. Video published
May 15, 2017. Retrieved from URL: [https://www.youtube.com/
watch?v=7D6gnr5vWjw](https://www.youtube.com/watch?v=7D6gnr5vWjw) (Year: 2017).*

(Continued)

Primary Examiner — Garth Rademaker
Assistant Examiner — Katelin G Kloberg
(74) *Attorney, Agent, or Firm* — Hoffmann & Baron, LLP

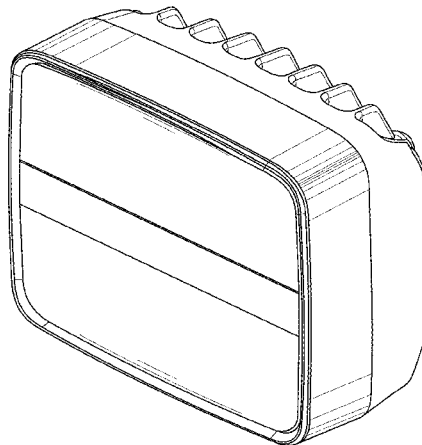
(57) **CLAIM**

The ornamental design for a LED light, as shown and described.

DESCRIPTION

FIG. 1 is a perspective view showing the front, top and left side perspective view of an LED light of my new design; FIG. 2 is a front view thereof; FIG. 3 is a rear view thereof; FIG. 4 is a left side view thereof; FIG. 5 is a right side view thereof; FIG. 6 is a bottom view thereof; and, FIG. 7 is a top view of the claimed design. The broken lines depict portions of the article that form no part of the claimed design.

1 Claim, 4 Drawing Sheets



(56)

References Cited

U.S. PATENT DOCUMENTS

D698,059	S *	1/2014	Korpi	D26/63
D698,060	S *	1/2014	Korpi	D26/63
D698,472	S *	1/2014	Korpi	D26/63
D698,473	S *	1/2014	Korpi	D26/63
D698,474	S *	1/2014	Korpi	D26/63
D698,475	S *	1/2014	Korpi	D26/63
D708,778	S *	7/2014	Sibitzky	D26/118
D732,219	S *	6/2015	Adams	D26/63
D734,521	S *	7/2015	Gebhard	D26/63
D739,072	S *	9/2015	Adams	D26/118
D761,482	S *	7/2016	Largent	D26/118
D775,402	S *	12/2016	Sibitzky	D26/118
D775,404	S *	12/2016	Adams	D26/118
9,605,843	B2 *	3/2017	Gebhard	F21V 29/02
D784,599	S *	4/2017	Sibitzky	D26/118
D805,670	S *	12/2017	Madril	D26/63
D827,167	S *	8/2018	Deyaf	D26/28
D833,655	S *	11/2018	Ko	D26/28

OTHER PUBLICATIONS

“Turbo SII Led Light Bar.” Found online Jan. 2, 2019 at www.amazon.com. Page dated Mar. 23, 2015. Retrieved from URL: https://www.amazon.com/Tractor-Reverse-Wheeler-Polaris-motorcycle/dp/B00V2VF86W/ref=sr_1_12_sspa?ie=UTF8&qid=1546451612&sr=8-12-spons&keywords=led+work+light+for+vehicle&psc=1 (Year: 2015).*

“Blazer CWL535 LED Square Magnetic Work Light.” Found online Jan. 2, 2019 at www.amazon.com. Page dated Jan. 3, 2012. Retrieved from URL: https://www.amazon.com/Blazer-CWL535-Square-Magnetic-Light/dp/B006STTM9C/ref=sr_1_13?s=hi&ie=UTF8&qid=1546452200&sr=1-13&keywords=LED+tractor+light (Year: 2012).*

“TMH 48w Square Shape 30 Degree LED Work Light.” Found online Jan. 2, 2019 at www.amazon.com. Page dated Jul. 18, 2013. Retrieved from URL: https://www.amazon.com/30-Motorbike-Motorcycle-Excavator-Bulldozer/dp/B00E1HX8HK/ref=sr_1_26?s=hi&ie=UTF8&qid=1546452200&sr=1-26&keywords=LED+tractor+light (Year: 2013).*

* cited by examiner

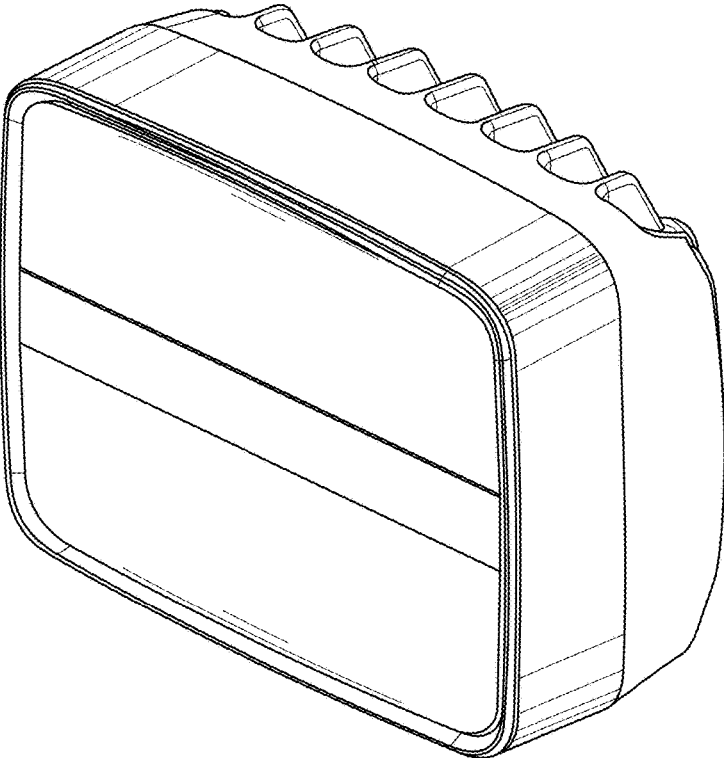


FIG. 1

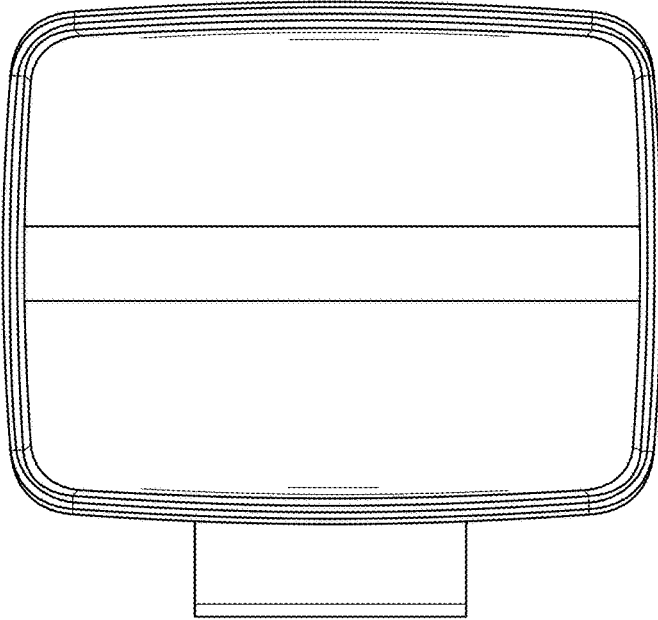


FIG. 2

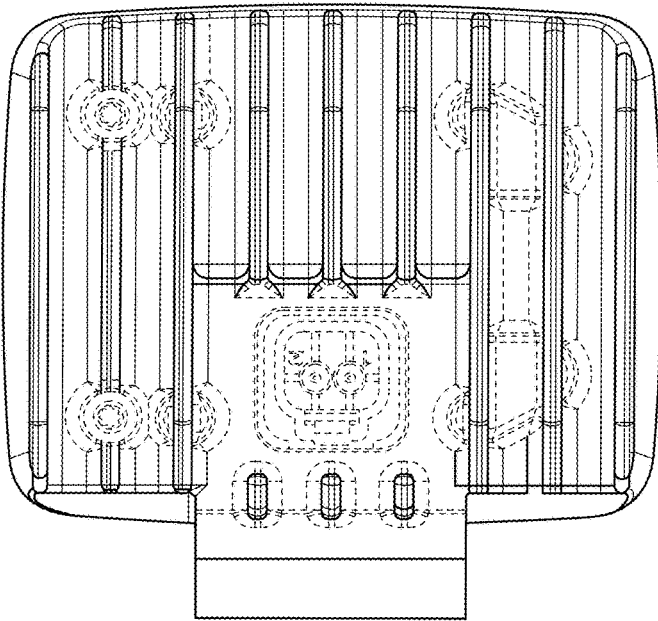


FIG. 3

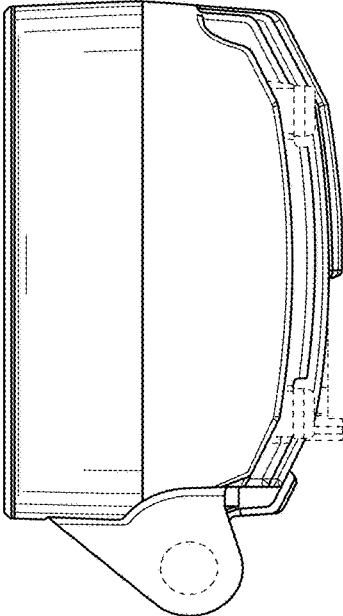


FIG. 4

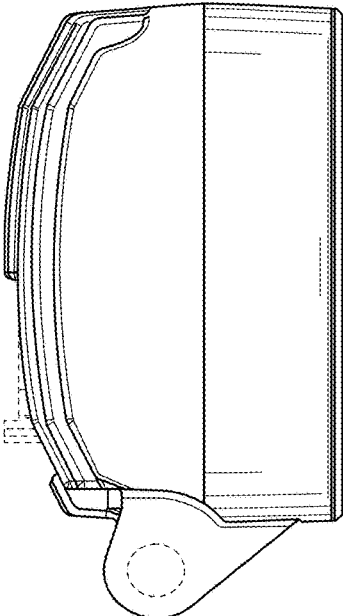


FIG. 5

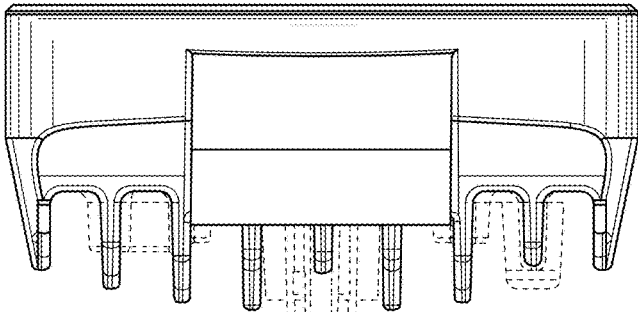


FIG. 6

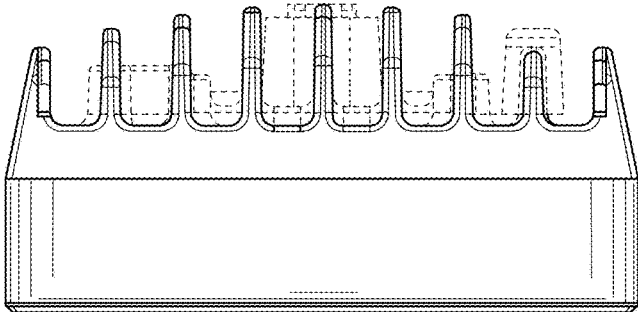


FIG. 7