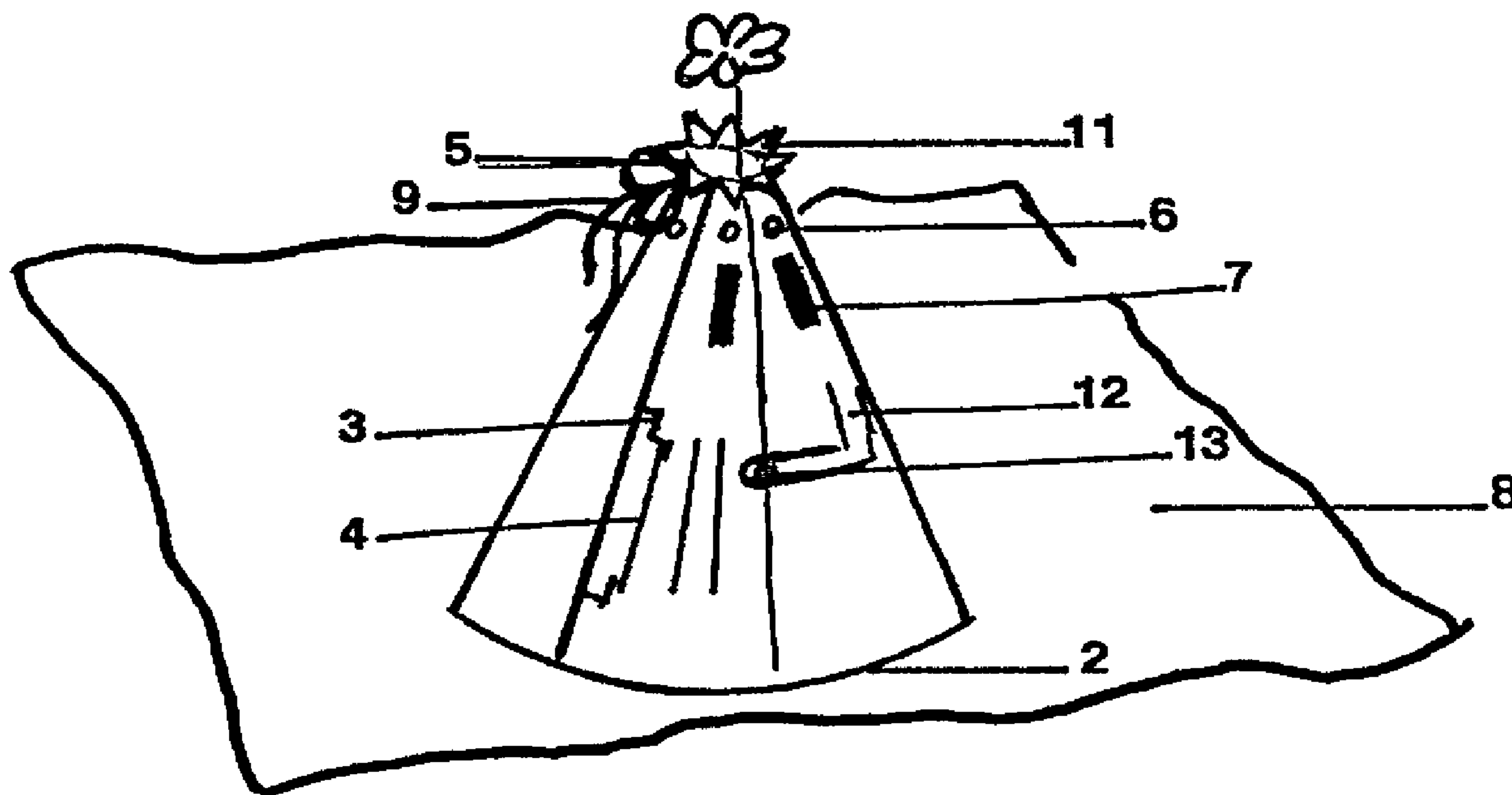




(86) Date de dépôt PCT/PCT Filing Date: 1996/05/23  
 (87) Date publication PCT/PCT Publication Date: 1996/11/28  
 (45) Date de délivrance/Issue Date: 2005/10/11  
 (85) Entrée phase nationale/National Entry: 1997/11/19  
 (86) N° demande PCT/PCT Application No.: FR 1996/000774  
 (87) N° publication PCT/PCT Publication No.: 1996/037133  
 (30) Priorité/Priority: 1995/05/24 (95/06402) FR

(51) Cl.Int.<sup>7</sup>/Int.Cl.<sup>7</sup> A47G 7/06, B65D 85/50  
 (72) Inventeurs/Inventors:  
 CHARRIN, PHILIPPE, FR;  
 CHARRIN, ANDRE, FR  
 (73) Propriétaires/Owners:  
 CHARRIN, PHILIPPE, FR;  
 CHARRIN, ANDRE, FR  
 (74) Agent: ROBIC

(54) Titre : DISPOSITIF POUR LA PRESENTATION D'UN BOUQUET DE FLEURS  
 (54) Title: BOUQUET PRESENTATION DEVICE



(57) Abrégé/Abstract:

The invention provides a variable shape device, with or without a base, for presenting all types of bouquets individually, vertically and without water. The device (1) is made of water- and deformation-resistant materials, with an adjustable attachment means having a male (3) and a female portion (4). The assembled device has a tapered portion (5) with tabs (11), which adapts to every type of bouquet, and a stable base (2). The openings (6) enable the bouquet to be initially retained in the device, for individual presentation, by any fastening means inserted in the openings. A water-tight decorated sheet (8), extending towards the top (5) of the outer walls (1) and adhering to members (7), is retained by a ribbon (21) on blade members which holds together the sheet, the device and the bouquet, the sheet providing water-tightness to the device (8). Water (10) introduced into the device collects at its base (2), thus providing stability to the bouquet and converting the device into a disposable flower-pot. In the same way, a cylindrical sleeve (20) provides for the transport, by air or by road, with very little water, of a bunch of 40 flowers from the producing country to a buyer country.

**PCT**ORGANISATION MONDIALE DE LA PROPRIETE INTELLECTUELLE  
Bureau international

DEMANDE INTERNATIONALE PUBLIEE EN VERTU DU TRAITE DE COOPERATION EN MATIERE DE BREVETS (PCT)

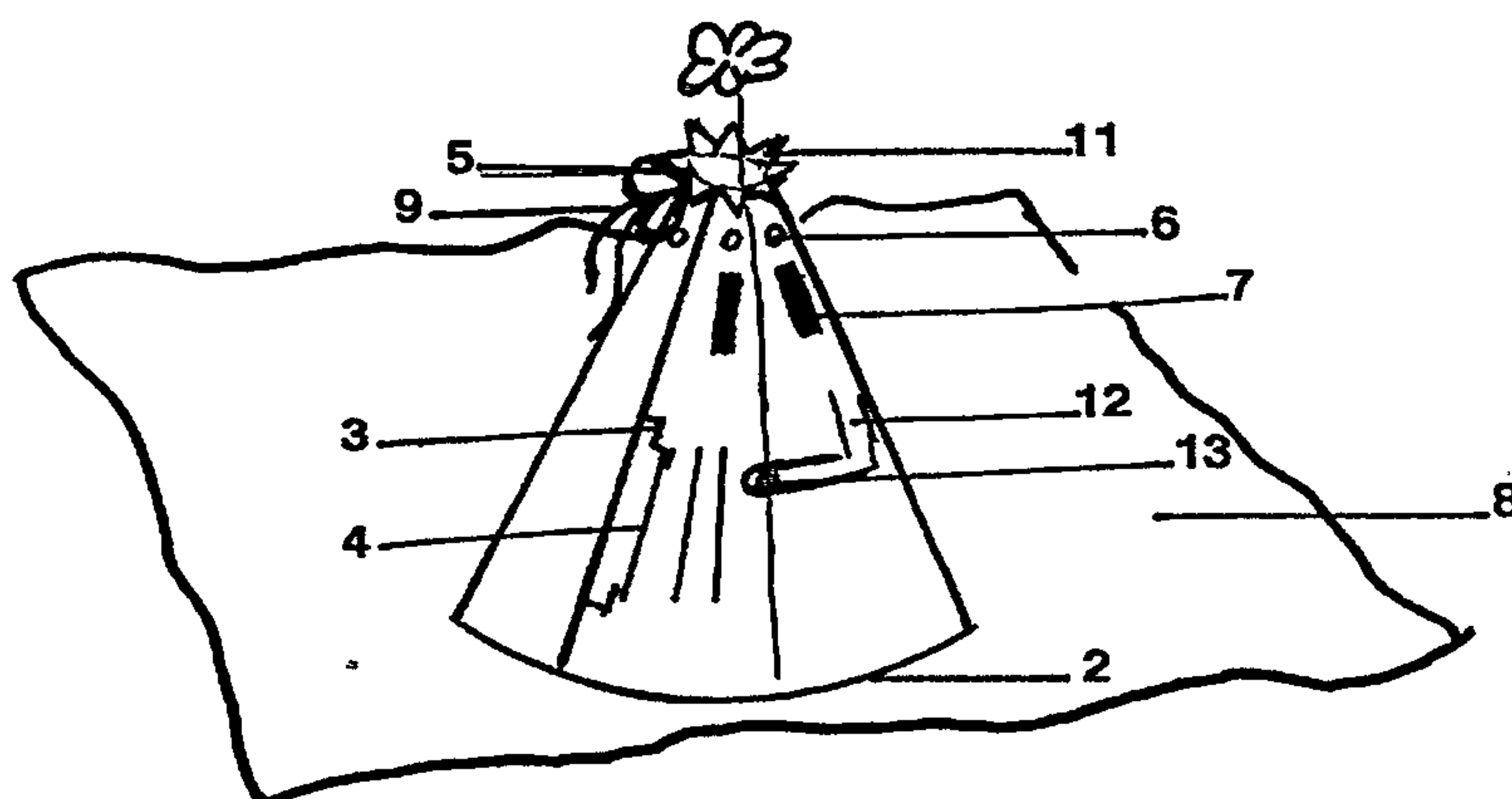
<p>(51) Classification internationale des brevets <sup>6</sup> : <b>A47G 7/06, B65D 85/50</b></p>	<p><b>A1</b></p>	<p>(11) Numéro de publication internationale: <b>WO 96/37133</b></p> <p>(43) Date de publication internationale: 28 novembre 1996 (28.11.96)</p>
<p>(21) Numéro de la demande internationale: PCT/FR96/00774</p> <p>(22) Date de dépôt international: 23 mai 1996 (23.05.96)</p> <p>(30) Données relatives à la priorité: 95/06402 24 mai 1995 (24.05.95) FR</p> <p>(71)(72) Déposants et inventeurs: CHARRIN, Philippe [FR/FR]; Les Chirouzes, F-26600 Beaumont Monteux (FR). CHARRIN, André [FR/FR]; F-26600 Beaumont Monteux (FR).</p> <p>(74) Représentant commun: CHARRIN, Philippe; Les Chirouzes, F-26600 Beaumont Monteux (FR).</p>	<p>(81) Etats désignés: AL, AM, AT, AU, AZ, BB, BG, BR, BY, CA, CH, CN, CZ, DE, DK, EE, ES, FI, GB, GE, HU, IS, JP, KE, KG, KP, KR, KZ, LK, LR, LS, LT, LU, LV, MD, MG, MK, MN, MW, MX, NO, NZ, PL, PT, RO, RU, SD, SE, SG, SI, SK, TJ, TM, TR, TT, UA, UG, US, UZ, VN, brevet ARIPO (KE, LS, MW, SD, SZ, UG), brevet eurasien (AM, AZ, BY, KG, KZ, MD, RU, TJ, TM), brevet européen (AT, BE, CH, DE, DK, ES, FI, FR, GB, GR, IE, IT, LU, MC, NL, PT, SE), brevet OAPI (BF, BJ, CF, CG, CI, CM, GA, GN, ML, MR, NE, SN, TD, TG).</p> <p><b>Publiée</b> <i>Avec rapport de recherche internationale. Avant l'expiration du délai prévu pour la modification des revendications, sera republiée si de telles modifications sont reçues.</i></p>	

(54) Title: BOUQUET PRESENTATION DEVICE

(54) Titre: DISPOSITIF POUR LA PRESENTATION D'UN BOUQUET DE FLEURS

## (57) Abstract

The invention provides a variable shape device, with or without a base, for presenting all types of bouquets individually, vertically and without water. The device (1) is made of water- and deformation-resistant materials, with an adjustable attachment means having a male (3) and a female portion (4). The assembled device has a tapered portion (5) with tabs (11), which adapts to every type of bouquet, and a stable base (2). The openings (6) enable the bouquet to be initially retained in the device, for individual presentation, by any fastening means inserted in the openings. A water-tight decorated sheet (8), extending towards the top (5) of the outer walls (1) and adhering to members (7), is retained by a ribbon (21) on blade members which holds together the sheet, the device and the bouquet, the sheet providing water-tightness to the device (8). Water (10) introduced into the device collects at its base (2), thus providing stability to the bouquet and converting the device into a disposable flower-pot. In the same way, a cylindrical sleeve (20) provides for the transport, by air or by road, with very little water, of a bunch of 40 flowers from the producing country to a buyer country.



**BOUQUET PRESENTATION DEVICE**

10 The invention relates to a device for individual presentation of bouquets of flowers, consisting of a quick to assemble, rigid technical part, for presentation of individual bouquets, acting as a simple support for bouquets of cut flowers and as support for bouquets of dried flowers in a florist's or self-service shop, and offering the possibility of transformation, by fitting of a watertight sheet, into a bouquet with a water reserve, guaranteeing perfect stability due to its conical shape and the addition of water. It thereby becomes a throwaway vase. Round or square collars can be fitted onto the device and transform it into a disposable flower-bowl.

The present invention relates to a device delivered flat which is fast to assemble, or already assembled in a volume able to be adapted to any bouquet of cut flowers as a support for storage or sales presentation, by its different round, square, triangular or other shapes, with or without base.

More particularly, an object of the present invention is to provide a device for presentation of individual bouquets of flowers, comprising:

- 20
- a foldable support equipped with an adjustment system with male and female parts to transform the support into a conical volume having a top part and a bottom part,
  - a plurality of tongues arranged at the top part of the support and enabling a variable opening to suit the format of the bouquet,
  - a water-tight sheet placed under the bottom part of the support and folded up along a side wall of the support,
  - holding means for holding the sheet folded up along the side wall of the support thereby allowing water to be poured in via said variable opening situated near to the tongues at the top part of the support.

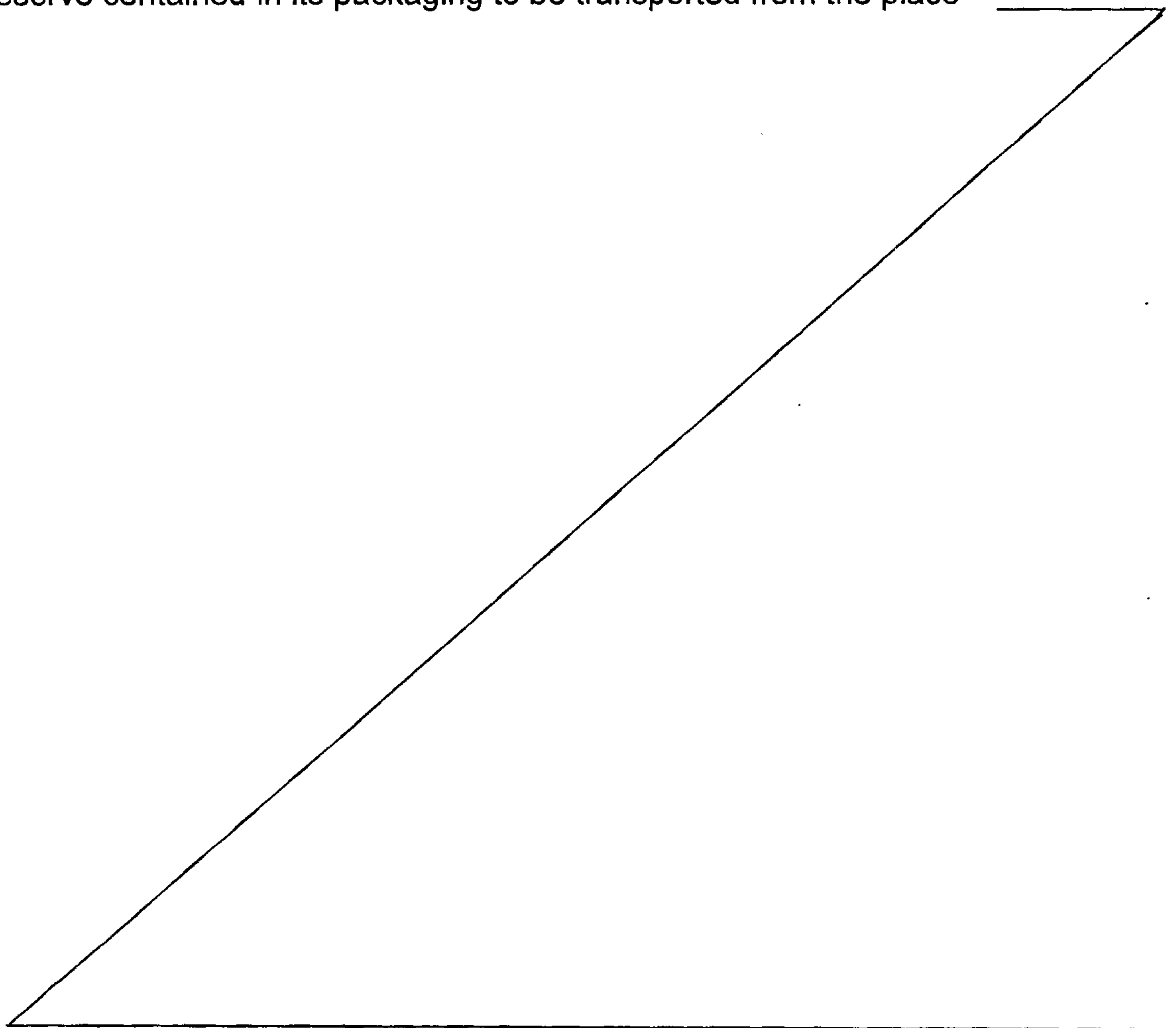
- 1a -

Preferably, the device further comprises a tie tied around the tongues to form a first fixing of the device enabling an individual and vertical presentation of the flowers.

Still preferably, the device comprises a ribbon placed in the top part of the support to hold the sheet against the tongues surrounding the opening.

This device folded with its bouquet, in all watertight sheets commonly used in the horticultural or florists' world, once in shape can contain a water reserve whose weight at its base ensures perfect stability with a water height for transport of 2cm.

- 10 The principle according to the invention enables a bouquet folded with the water reserve contained in its packaging to be transported from the place



5 of sale to its destination ensuring its conservation until it reaches the final customer, throughout the journey without wilting.

It is easy to compensate the evaporated water, without having to use a vase throughout its lifetime.

The florist can add professional preservatives, or simple colouring or  
10 gelatinizing agents to improve the presentation.

It can be simply placed on a piece of furniture or on any flat surface.

This invention will enable the florist to be able to offer his customers a possibility of personal decoration and to increase his sales, by the  
15 possibility of lighting and of colouring the water; which was not possible before. By printing on the sheet, the florist can match the latter to the colour of the bouquet and print his logo or name on it. The decorative effect can be improved by adding coloured sheets, placed under the cone,  
either flat or ruffled.

20

Once the flowers have withered, the final consumer throws the whole assembly away without having had to undo the packaging.

The present invention will be better understood by referring to the  
25 following figures :

Figure 1 representing the device flat.

Figure 2 representing the device formed with laces and ribbons.

Figure 3 representing the device ready for use with its packaging sheet and its flowers.

30 Figure 4 representing the device assembled with its bouquet and filling.

Figure 5 representing the device with its round collar for horizontal presentation.

Figure 6 representing the device with its square collar.

5 Figure 7 representing the device flat, for preservation during transport by land or air for producing countries not having any local consumption.

Figure 8 representing the device formed.

Figure 9 representing the device formed with its sheet and its bunch of flowers.

10 Figure 10 representing the square device flat with base.

Figure 11 representing the square device formed.

Figure 12 representing the square device assembled with its sheet.

Figure 13 representing the triangular device flat with base.

15 Figure 14 representing the rectangular or other-shaped device flat with base.

Figure 15 representing the device acting as base able to be adapted to all models.

20 The support (1) is composed of rigid, water-resistant, translucent or transparent sheets, of sufficient thickness to ensure that the water and bouquet are kept in a rigid volume.

25 The object of the invention is to achieve a technical part of different heights for any bouquet of any flowers, enabling the latter to be presented individually, vertically, and without water.

30 Obtained by cutting, thermoforming or injection, the flat shape (1) before being shaped into a volume is transformed by the system of clipping (3) and adjustment (4), into a conical shape which is narrow at the top (5) provided with tongues (11) pressing on the stalks of the flowers, and wide at the bottom (2) of different diameter and adapting to suit the bouquet.

The openings (6) enable a first fixing of the bouquet to the device before the sheet (8) is fitted by any tie (9) slid into said openings, and enable the bouquet to be secured for an individual, vertical presentation.

- 4 -

The same result as that of the above-mentioned tie (9) slid into openings can also be achieved by tightening the tongues (11).

The radius of definition of the support keeping the same principle enables cones of different shape and volume to be formed as indicated in figures 7 and 8.

10 The invention according to the principle of folding of the conventional bouquet, is formed by the device and a water-tight sheet (8) folded upwards and pre-fastened to the device by means of adhesive tabs (7) for ease of shaping of the sheet. The tongues (11) enable a second final attachment above the tie (9), by a decorative ribbon (21) holding the sheet (8) against the flexible tongues (11) which press on the stalks of the flowers.

At that moment, the bouquet is completely secured to the device.

Filling with water poured in through the opening (5) and collecting in the base (2) ensures preservation of the flowers.

The weight of the water (10) provides the stability of the assembly by ballasting and the device becomes a disposable vase.

20 For high arrangements with very few flowers, tabs (12) pierced with openings (13) can be fitted internally to hold the stalks of certain flowers.

Round (14) or square (15) collars can be fitted onto all the devices.

Devices according to the same principle can be designed, which are square (16), triangular (17), rectangular (18), with a base for certain tropical flowers.

A base (19) can be fitted onto most devices.

A cylindrical device according to the same principles (20), of different length, enables flowers to be transported from the producing countries to consumer countries guaranteeing their freshness with only very little water.

30 The device according to the invention enables bouquets to be made up inexpensively, without having recourse to conventional vases, enabling them to be given as gifts and kept.

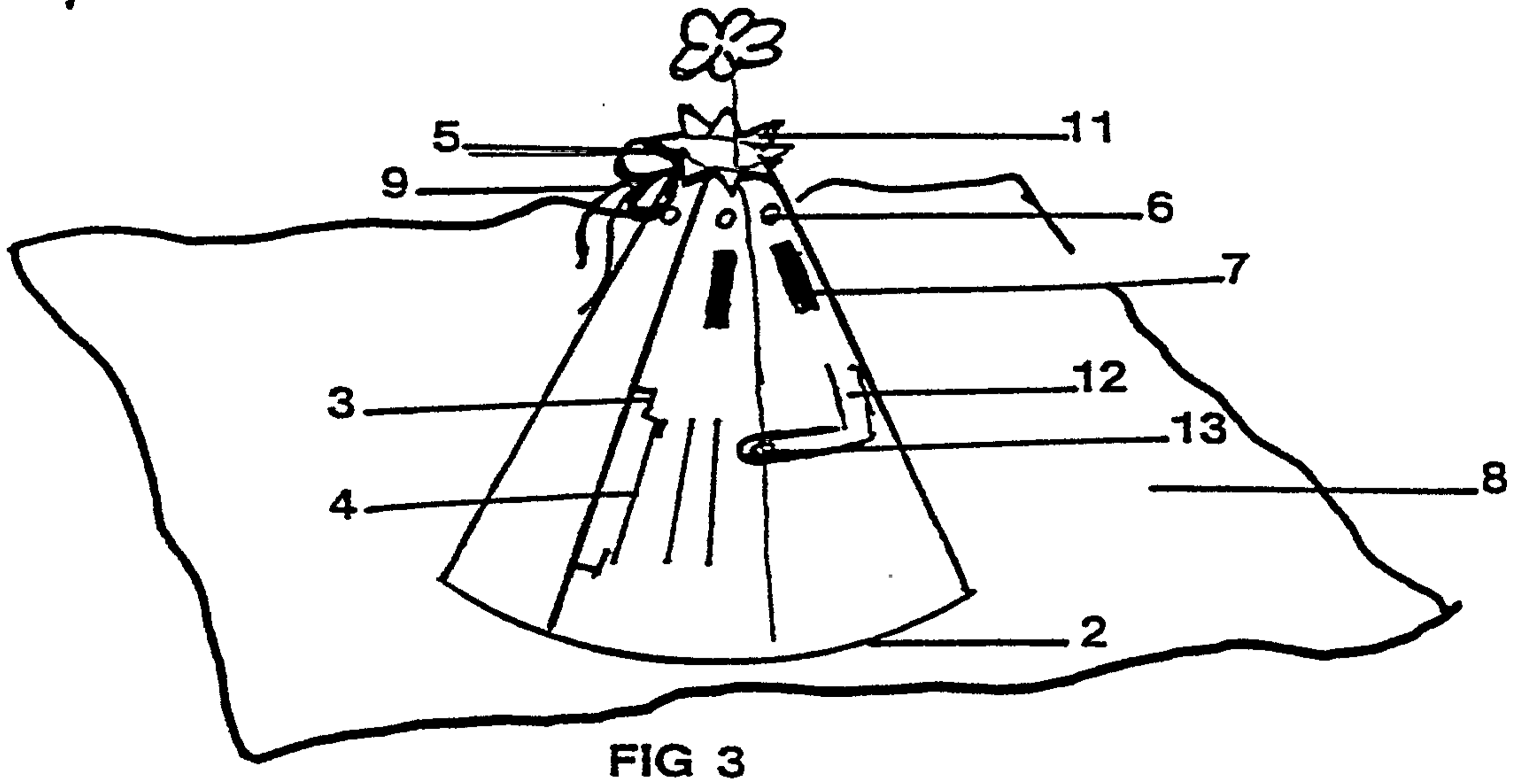
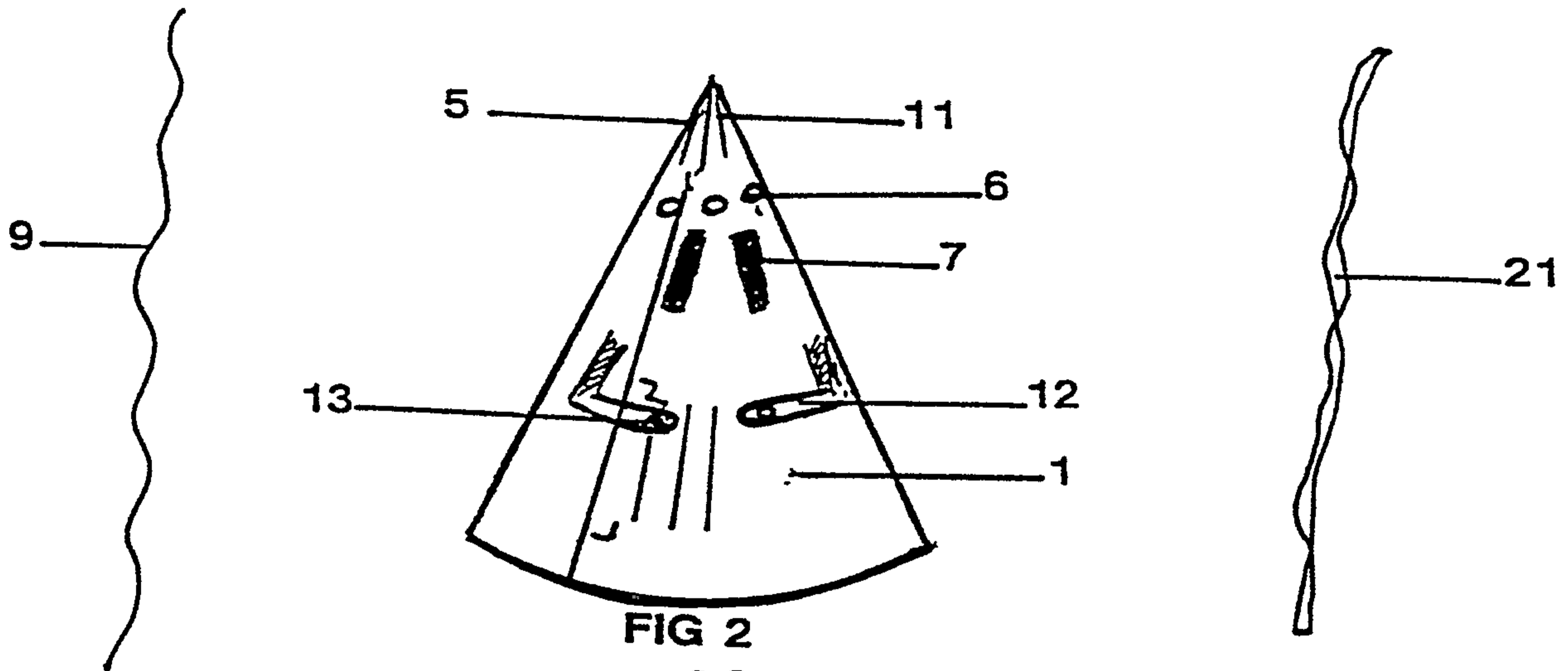
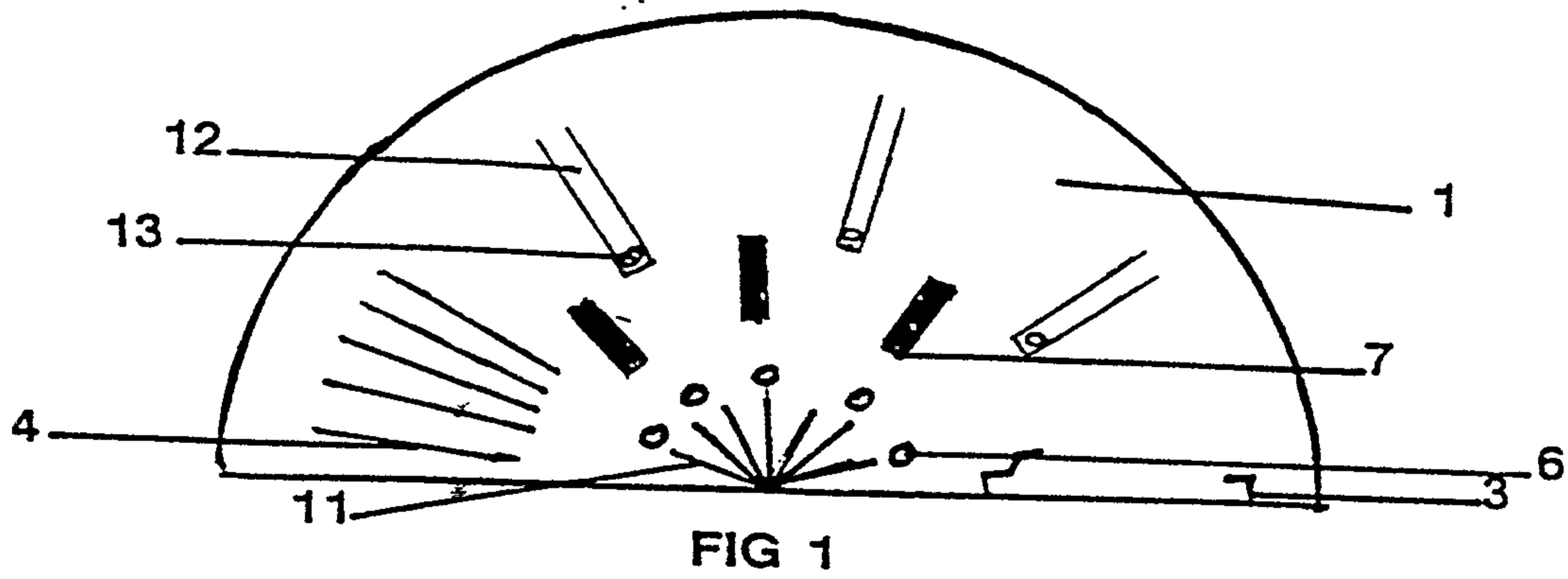
**WHAT IS CLAIMED IS:**

1. A device for presentation of individual bouquets of flowers, comprising:
  - a foldable support equipped with an adjustment system with male and female parts to transform the support into a conical volume having a top part and a bottom part,
  - a plurality of tongues arranged at the top part of the support and enabling a variable opening to suit the format of the bouquet,
  - a water-tight sheet placed under the bottom part of the support and folded up along a side wall of the support,
  - 10 – holding means for holding the sheet folded up along the side wall of the support thereby allowing water to be poured in via said variable opening situated near to the tongues at the top part of the support.
  
2. A device according to claim 1, comprising:
  - a tie tied around the tongues to form a first fixing of the device enabling an individual and vertical presentation of the flowers.
  
3. A device according to claim 1, wherein the holding means comprises:
  - a ribbon placed in the top part of the support to hold the sheet against the tongues surrounding the opening.
  
4. A device according to claim 2, wherein the holding means comprises:
  - 20 – a ribbon placed above the tie to hold the sheet against the tongues.
  
5. A device according to any one of claims 1 to 4, wherein the support is formed by a sheet folded into a cone placed on the water-tight sheet, said bottom part of the support forming an open base.
  
6. The device according to claim 2 or 4, wherein the support is provided with openings for passage of the tie enabling the cone to be secured to the stalks of the flowers.

- 6 -

7. The device according to claim 3 or 4, wherein the support comprises means of adhesion designed to keep the water-tight sheet in place before the ribbon is wound on.
8. The device according to any one of claims 1 to 7, wherein the support is provided with cut-out tabs located under the tongues so as to enable flowers with long stalks to be positioned in stable manner.
9. The device according to any one of claims 1 to 8, comprising either one of a round collar or a square collar fitted to the top part of the support to form a disposable flower-bowl.
- 10 10. The device according to claim 5, wherein the open base of the support has a shape selected from the group consisting of square, triangular and rectangular.
11. The device according to any one of claims 1 to 10, comprising an additional round-shaped part fitted to the bottom part of the support.
12. The device according to any one of claims 1 to 11, wherein the foldable support has a rigidity strengthened by ribs.
13. The device according to any one of claims 1 to 12, wherein the foldable support is achieved by cutting, thermoforming, or by injection moulding.
14. The device according to any one of claims 1 to 13, wherein the foldable  
20 support is a translucent, water-resistant sheet.
15. The device according to claim 1, wherein the water-tight sheet has a size which allows the water-tight sheet once in shape to contain a water reserve whose weight at said bottom part ensures perfect stability of the support.

1/5



2/5

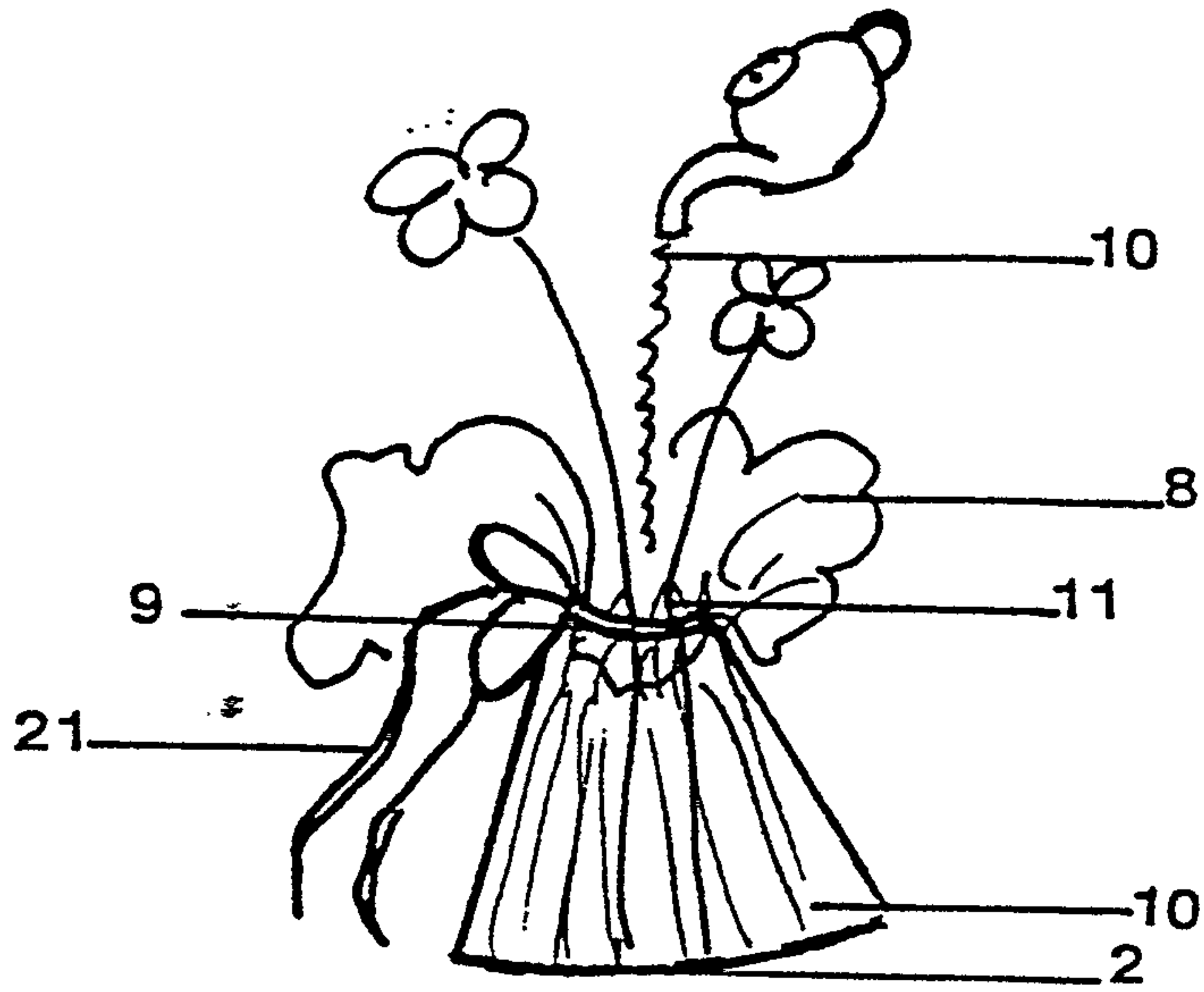


FIG 4

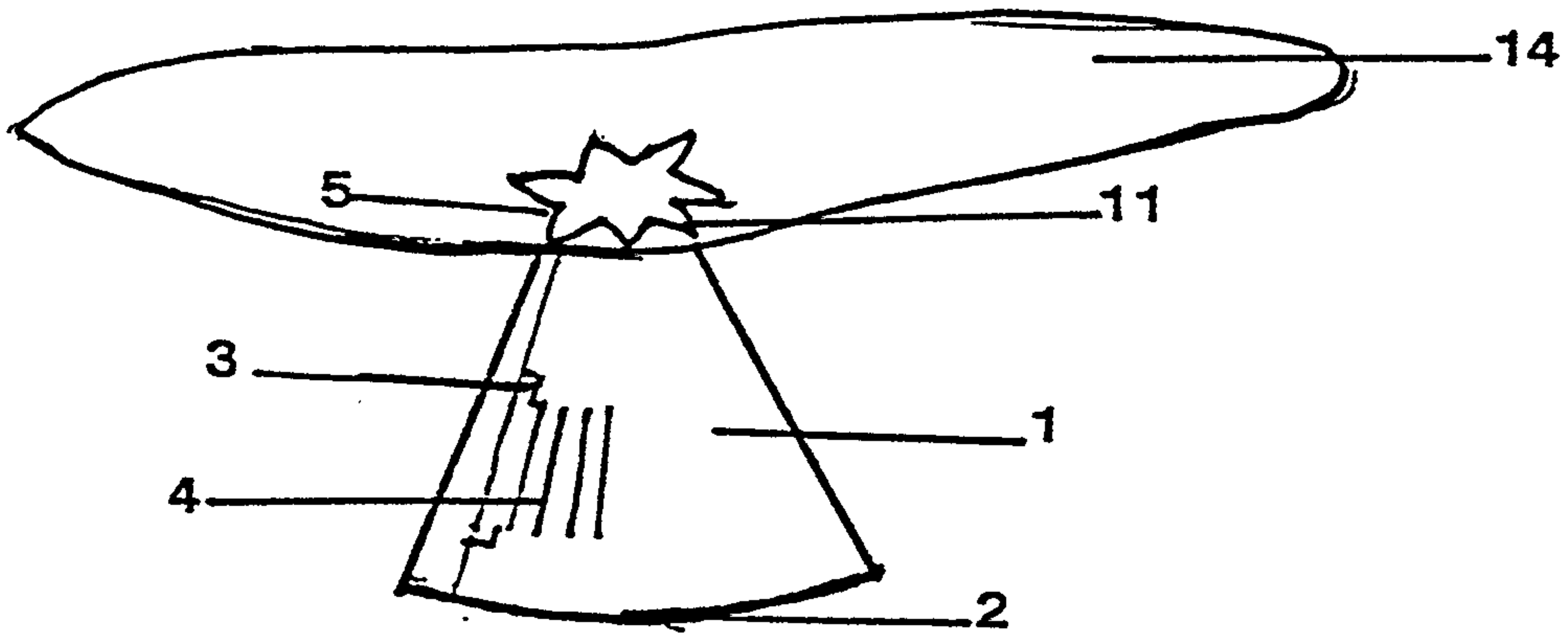


FIG 5

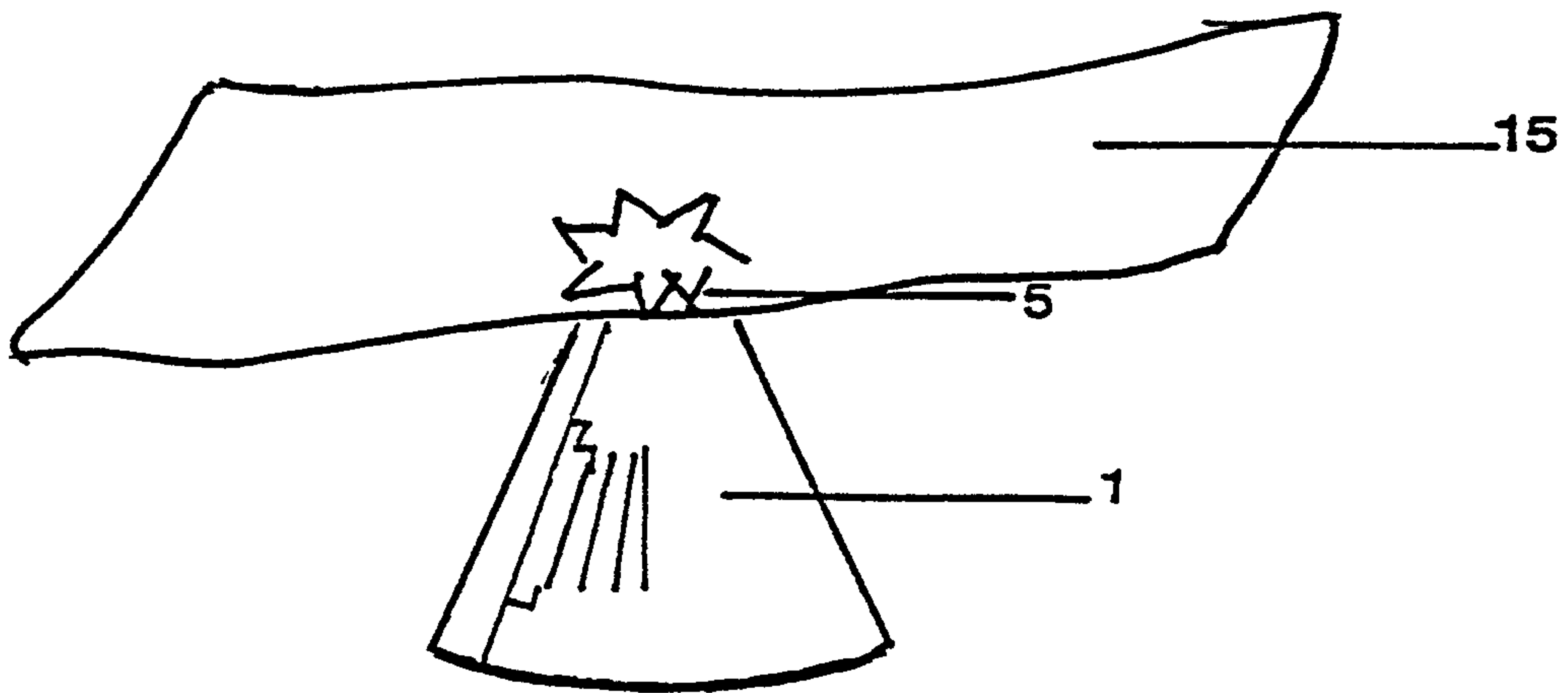


FIG 6

3/5

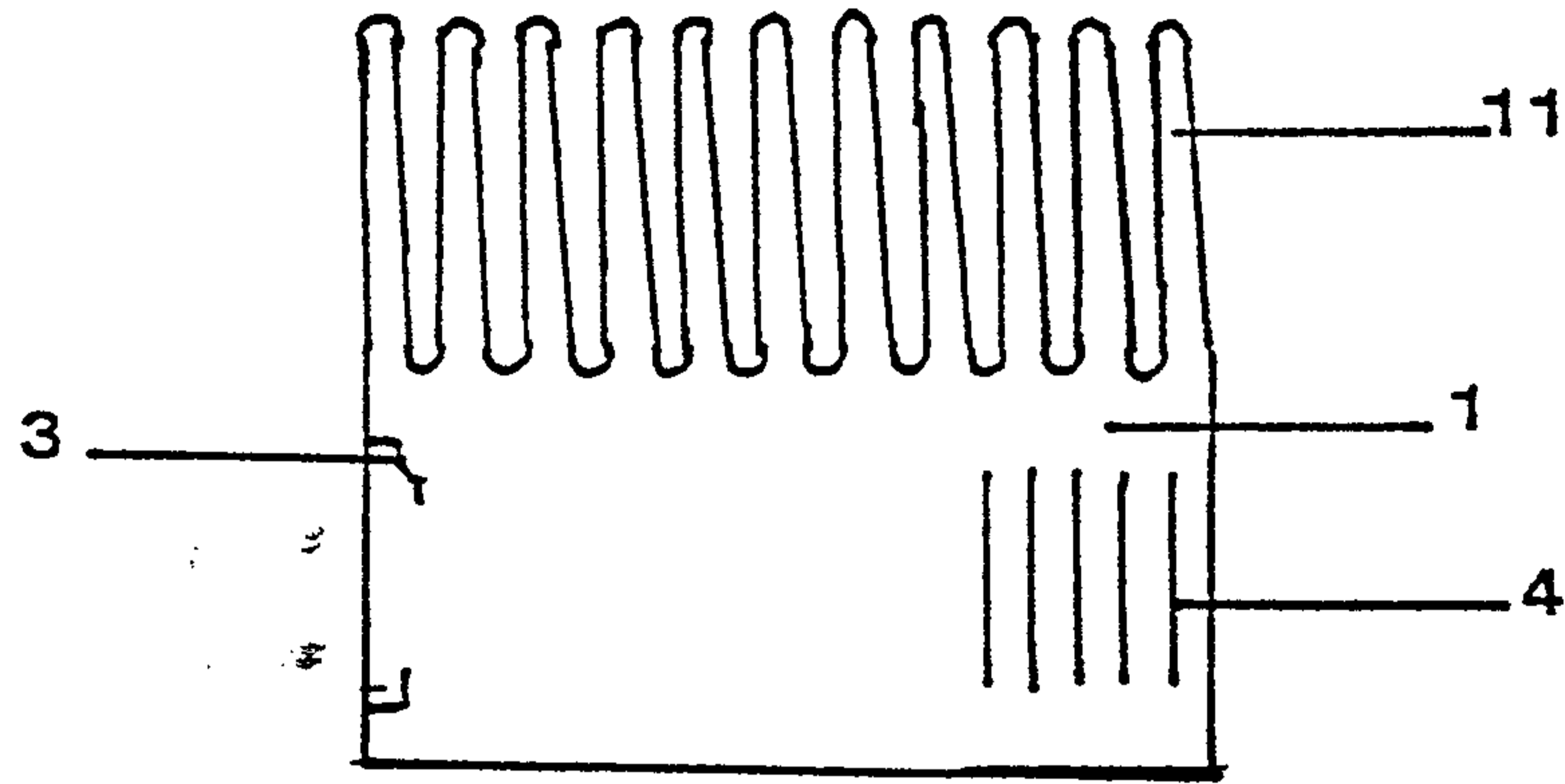


FIG 7

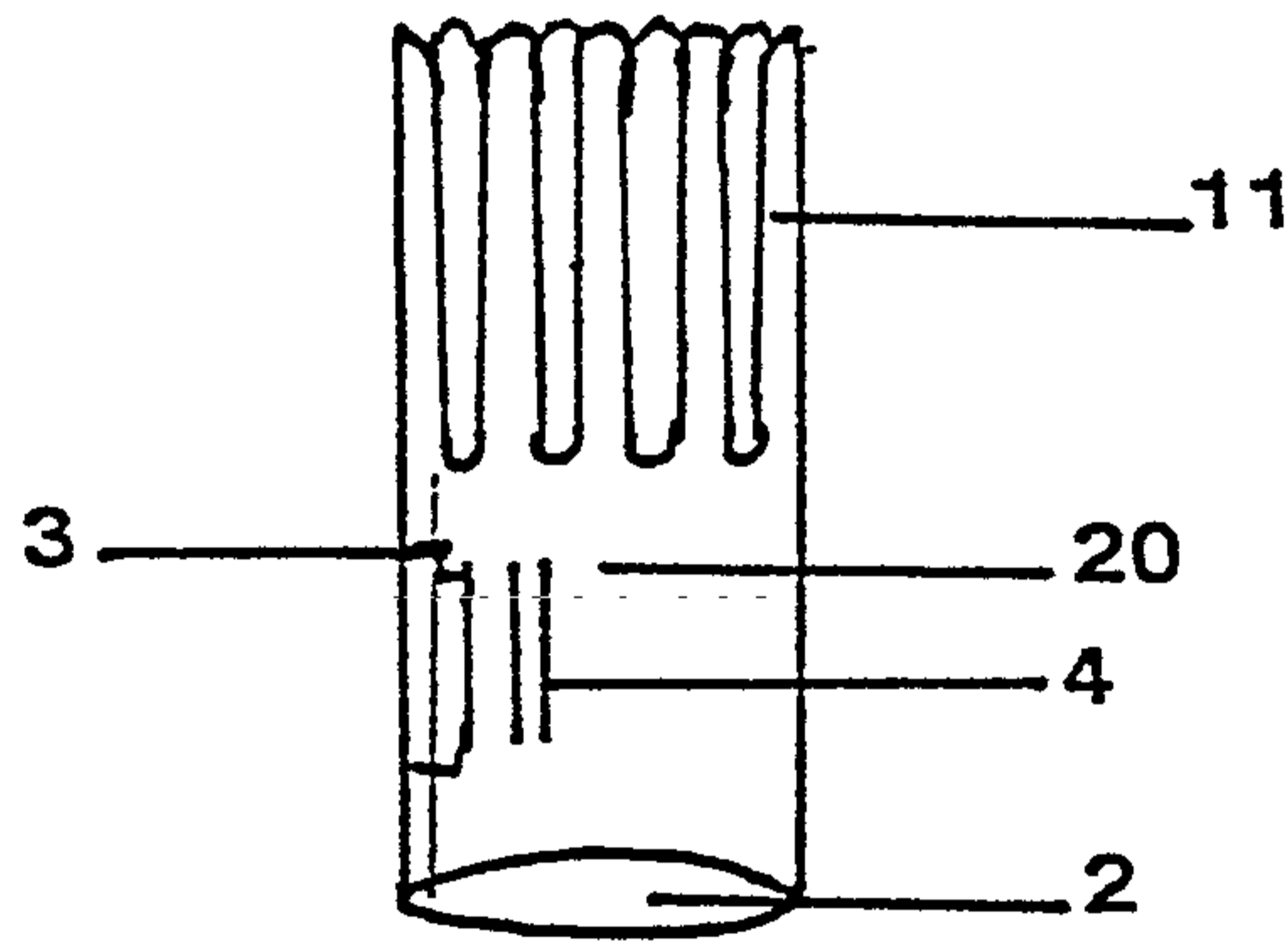


FIG 8

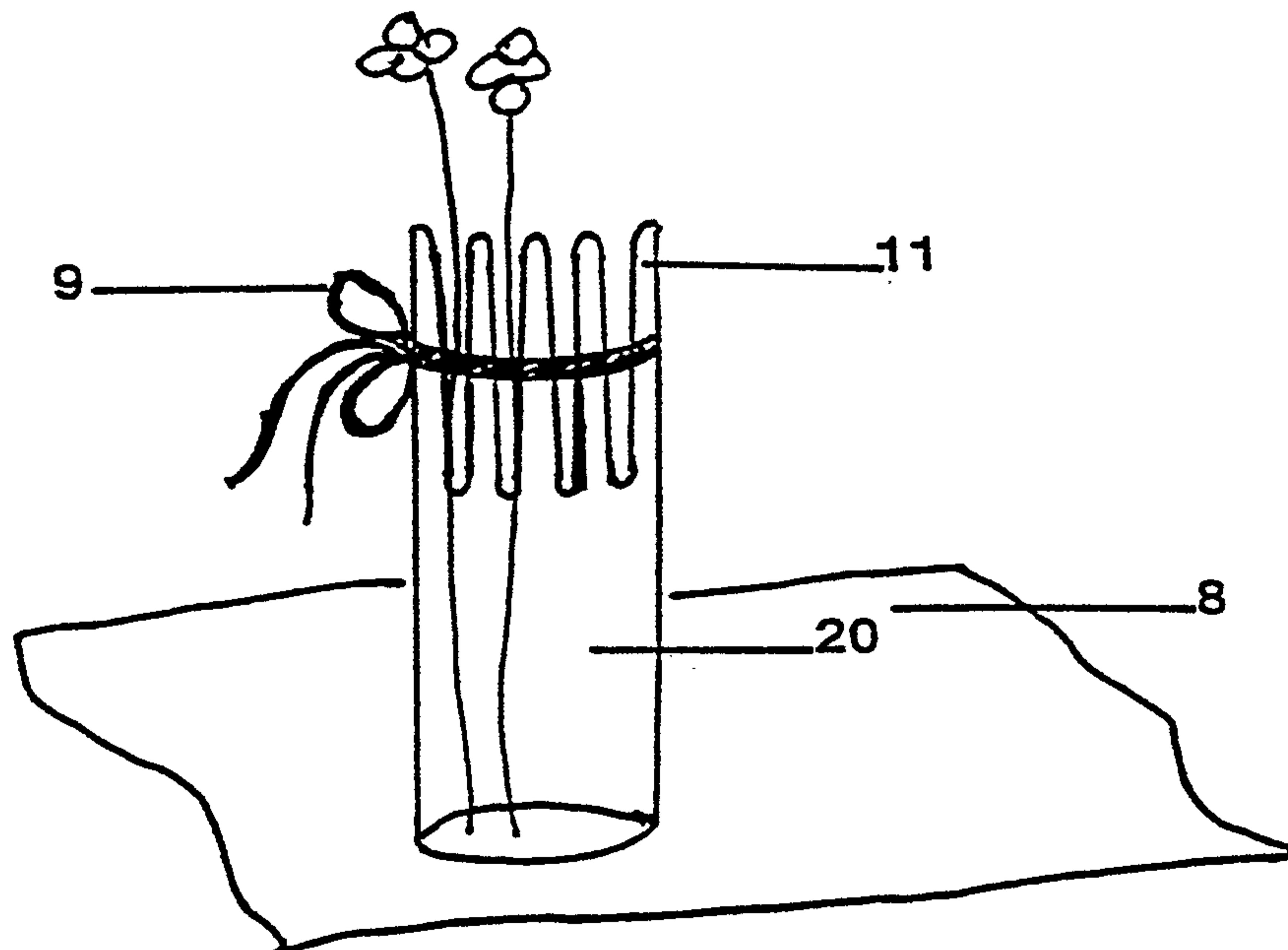
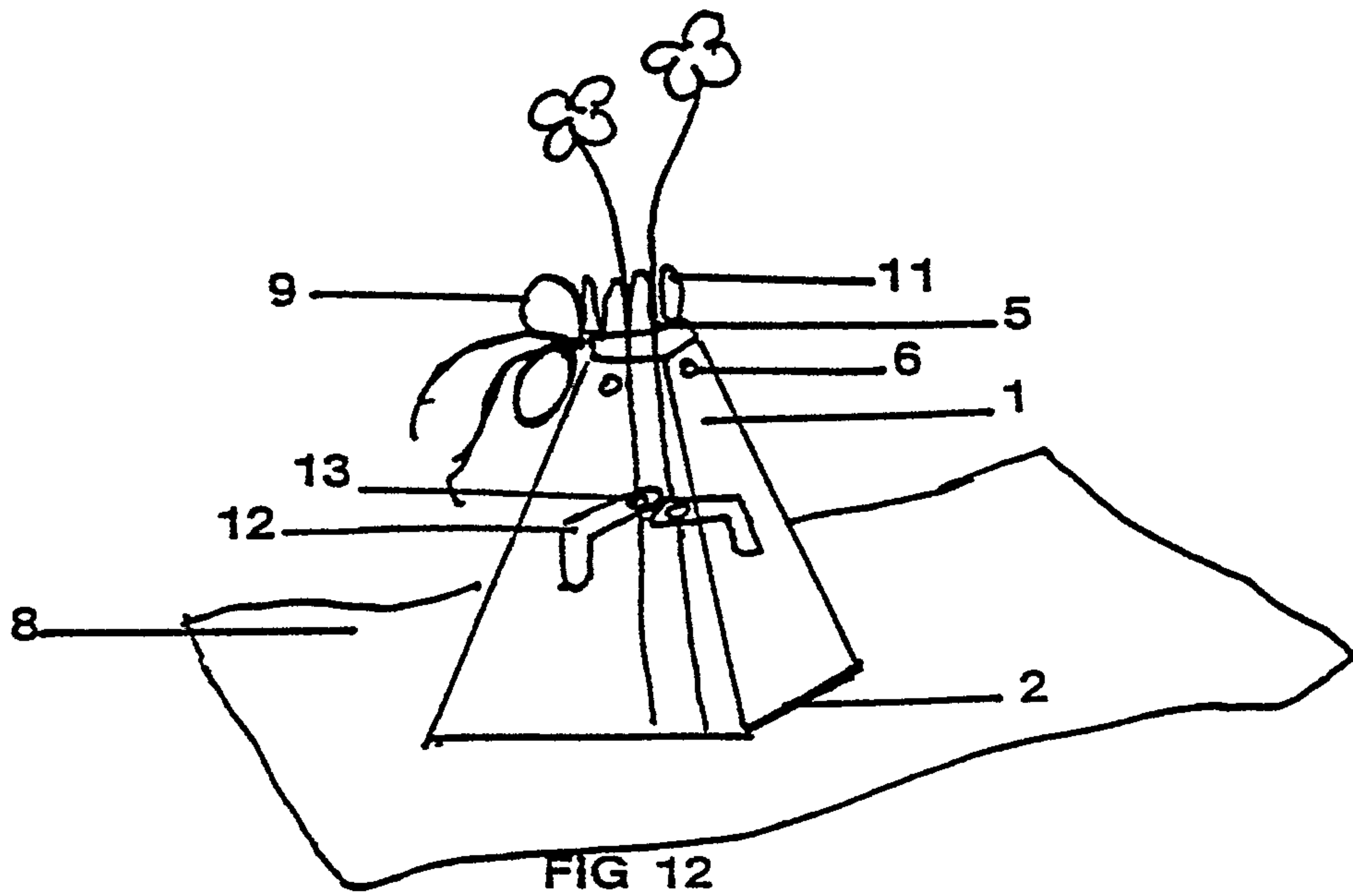
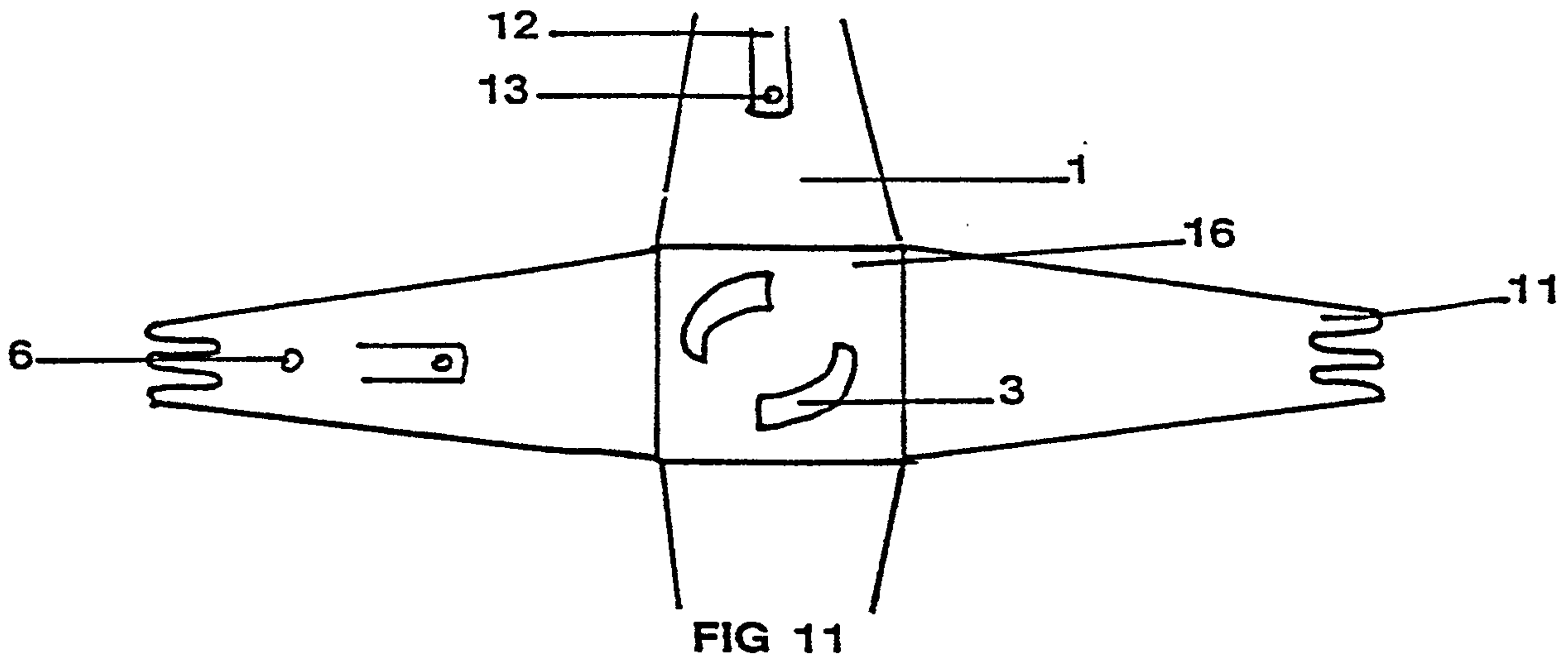
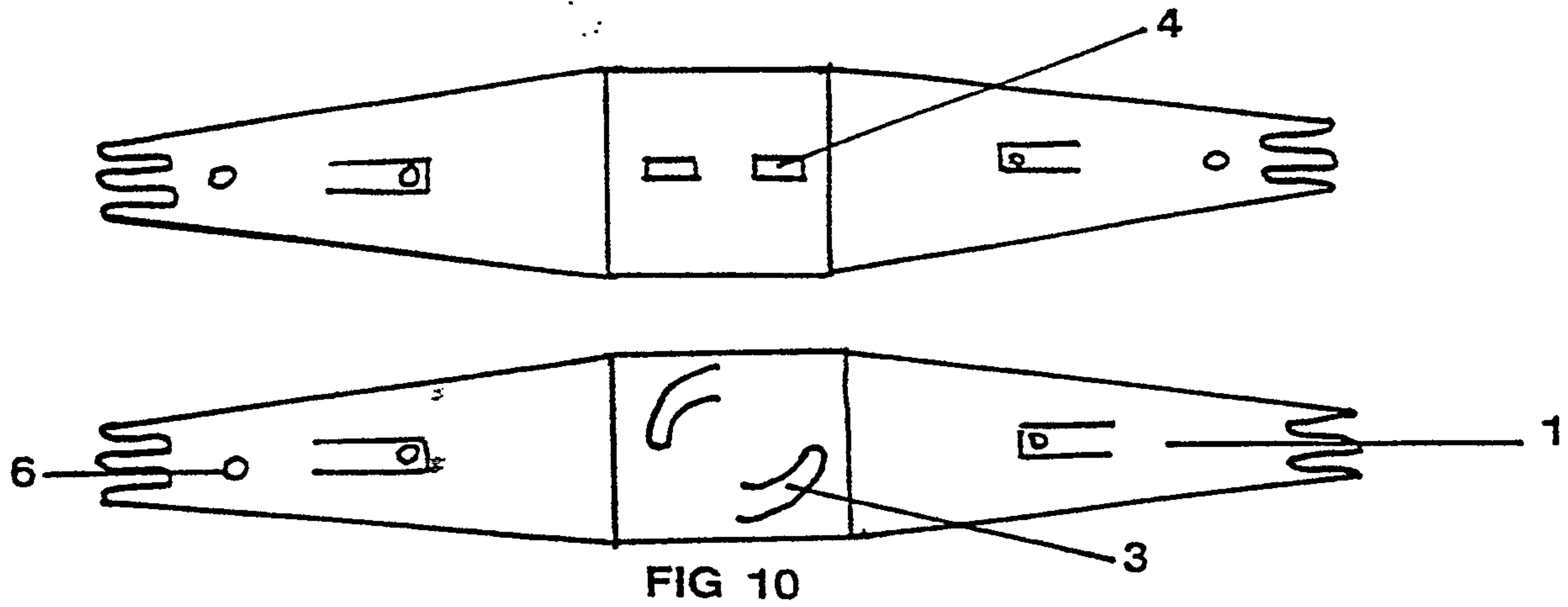


FIG 9

4/5



5/5

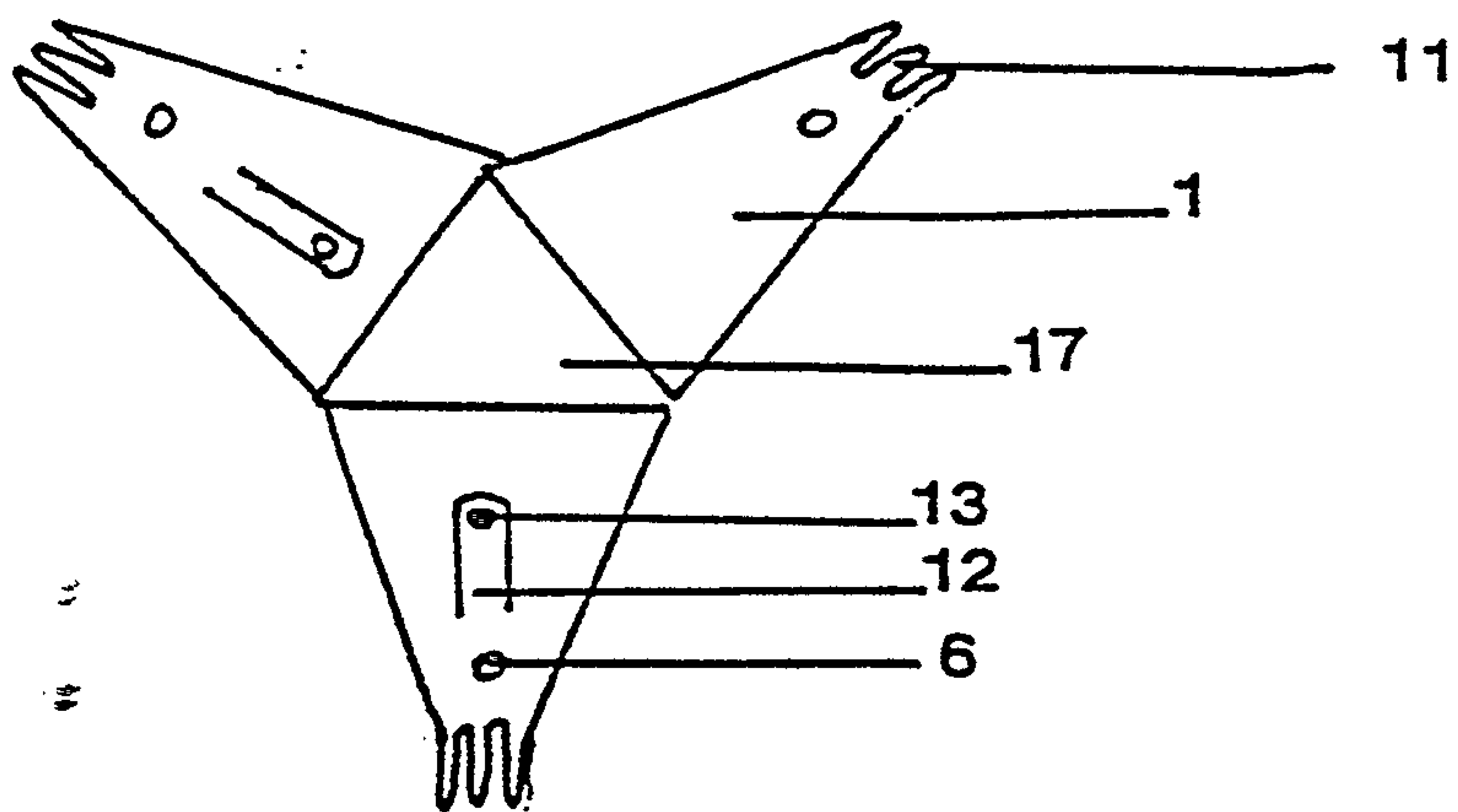


FIG 13

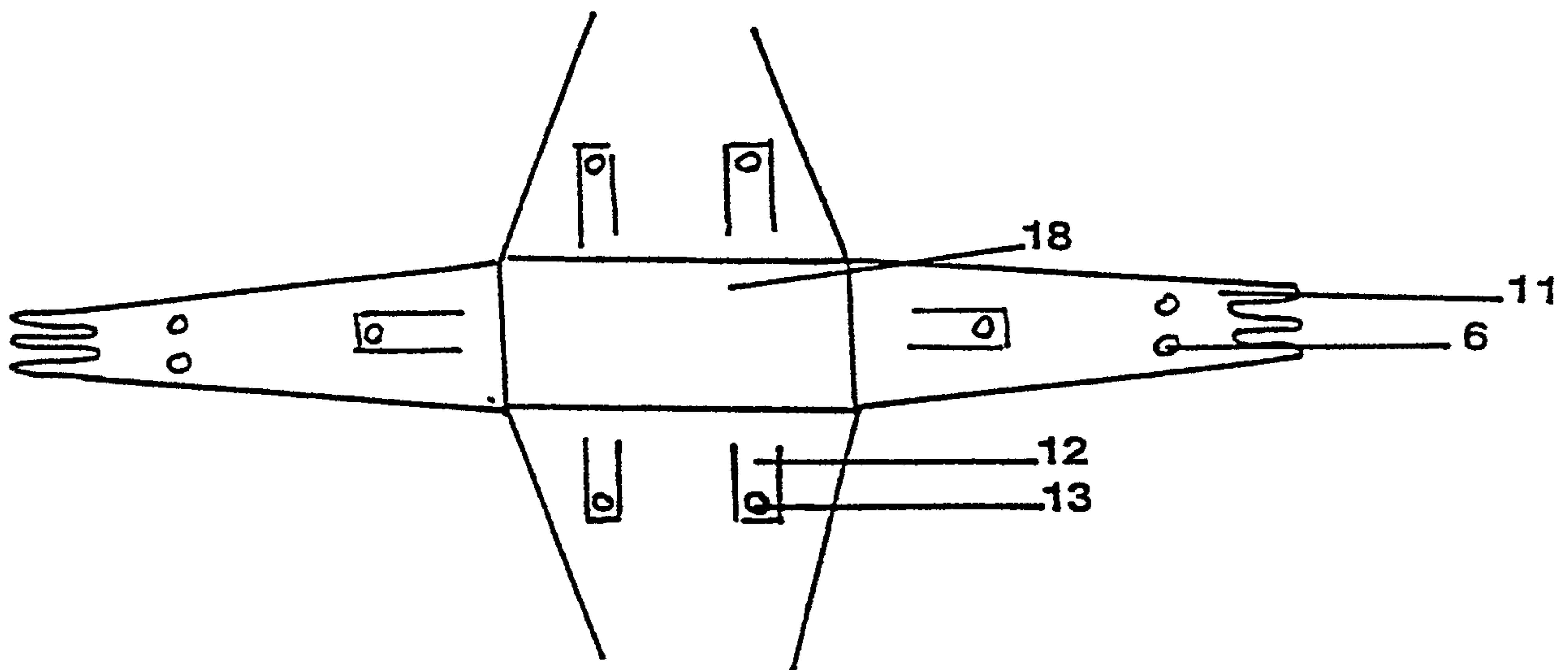


FIG 14

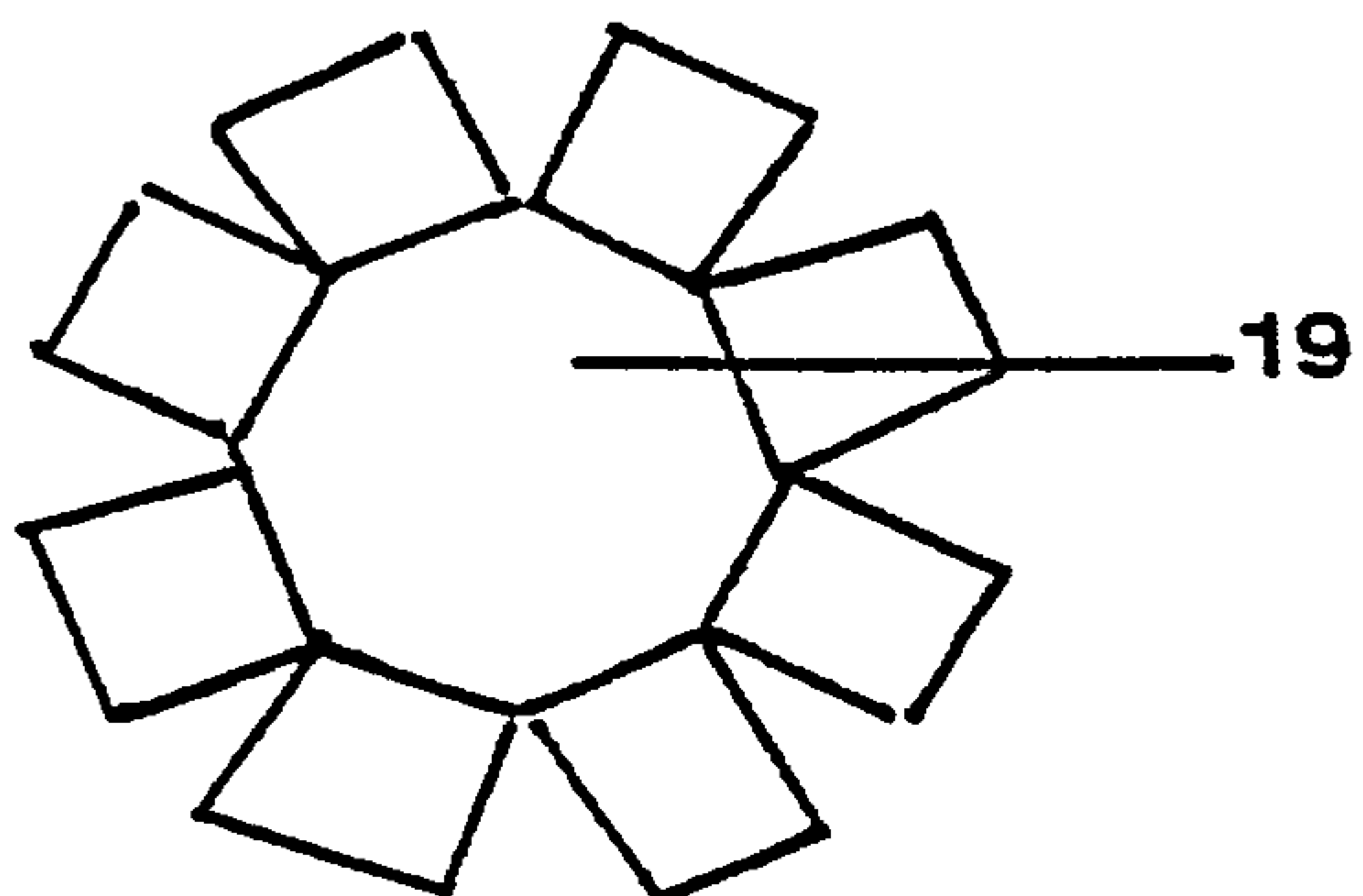


FIG 15

