



US00D882012S

(12) **United States Design Patent**
Goserud

(10) **Patent No.:** **US D882,012 S**

(45) **Date of Patent:** **** Apr. 21, 2020**

(54) **COMPARTMENTED SPHERICAL HOLDER FOR GOLF TEES**

(71) Applicant: **J. Thomas Goserud**, Landisville, PA (US)

(72) Inventor: **J. Thomas Goserud**, Landisville, PA (US)

(**) Term: **15 Years**

(21) Appl. No.: **29/634,524**

(22) Filed: **Jan. 23, 2018**

(51) **LOC (12) Cl.** **21-02**

(52) **U.S. Cl.**
USPC **D21/796**

(58) **Field of Classification Search**
USPC D21/789, 796, 717, 718; D3/201, 221, D3/254, 259
CPC A63B 57/20; A63B 57/203; A63B 47/00; A63B 47/001; A63B 57/00; A63B 57/10; A63B 57/12; A63B 57/13; A63B 57/16; A63B 57/18; A63B 57/19
See application file for complete search history.

(56) **References Cited**

U.S. PATENT DOCUMENTS

1,375,853	A *	4/1921	Lyman	G09B 27/08
					434/137
2,112,339	A *	3/1938	Kasperek	A63B 57/203
					224/249
D183,351	S *	8/1958	Keljik	D11/125
2,925,678	A *	2/1960	Burnbaum	A47F 5/00
					428/8
2,960,263	A *	11/1960	Goddard	A63B 55/408
					211/60.1
3,252,615	A *	5/1966	Hill	A63B 57/203
					221/82
3,360,170	A *	12/1967	Scannell	A63B 57/203
					224/274

D209,836	S *	1/1968	Tatlock	D11/127
D236,272	S *	8/1975	Aquilante	D11/117
D249,580	S *	9/1978	Hill	D11/121
4,993,613	A *	2/1991	Frisbie	A63B 57/203
					224/251
5,056,697	A *	10/1991	Sheffield	A63B 55/408
					224/679
5,172,839	A *	12/1992	Frisbie	A63B 55/408
					224/251
D387,837	S *	12/1997	Luchynsky	D3/259
D412,958	S *	8/1999	Sisson	D21/796
D462,032	S *	8/2002	Schmauz-Grimsel	D11/121
D476,053	S *	6/2003	Goserud	D21/789

(Continued)

Primary Examiner — Mitchell I. Siegel

(74) *Attorney, Agent, or Firm* — Dunlap Bennett & Ludwig PLLC; Brendan E. Squire

(57) **CLAIM**

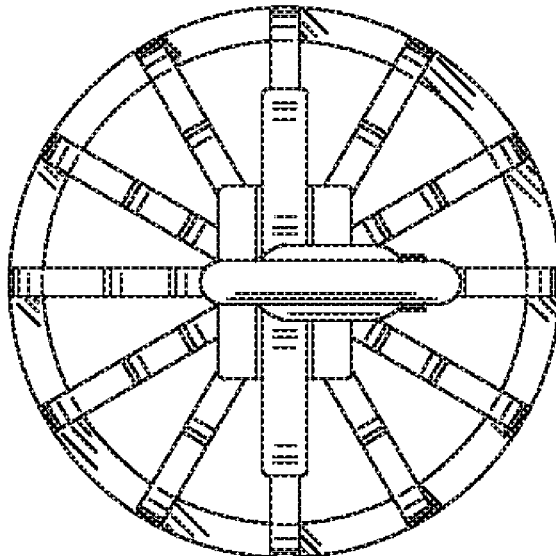
The ornamental design for a compartmented spherical holder for golf tees, as shown and described.

DESCRIPTION

FIG. 1 is a front elevation view of a compartmented spherical holder for golf tees showing my new design; FIG. 2 is a left side elevation view thereof; FIG. 3 is a top plan view thereof; FIG. 4 is a right side elevation view thereof; FIG. 5 is a rear elevation view thereof; FIG. 6 is a bottom plan view thereof; FIG. 7 is a top plan view thereof with the retaining strap and hook removed for clarity of illustration; FIG. 8 is a sectional view thereof taken along line 8-8 of FIG. 7; and, FIG. 9 is a left side elevation view of FIG. 1 shown in use with three unclaimed tees.

The broken line showing is included for the purposes of illustrating unclaimed subject matter and forms no part of the claimed design.

1 Claim, 3 Drawing Sheets



(56)

References Cited

U.S. PATENT DOCUMENTS

6,988,646	B2 *	1/2006	White	A63B 57/203	224/576
D543,695	S *	6/2007	Sands	D3/221	
D563,263	S *	3/2008	Chen	D11/117	
D567,320	S *	4/2008	Pelosi	D21/796	
D653,720	S *	2/2012	Piatkowski	D21/793	
D656,663	S *	3/2012	Son	D26/118	
D656,664	S *	3/2012	Son	D26/118	
D666,411	S	9/2012	Goserud			
D674,454	S *	1/2013	Åsberg	D21/796	
D716,395	S *	10/2014	Ross	D21/796	
D741,973	S *	10/2015	Wark	D21/796	
9,192,835	B1 *	11/2015	Goserud	A63B 57/0031	
D776,561	S *	1/2017	Richardson	D11/117	

* cited by examiner

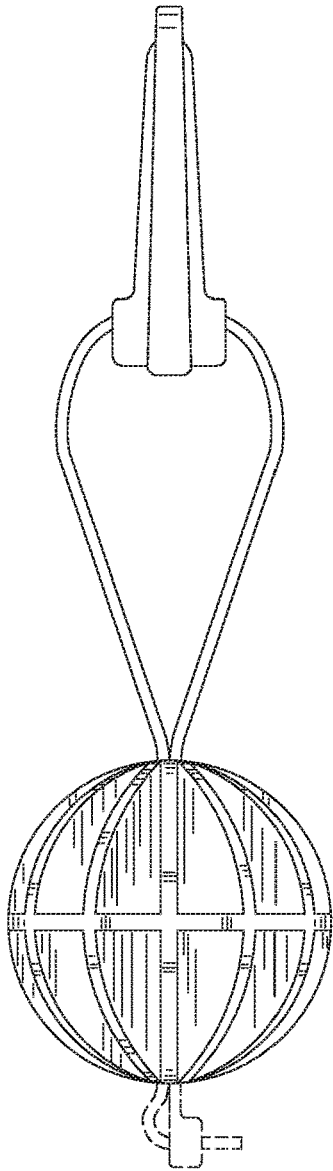


Fig. 1

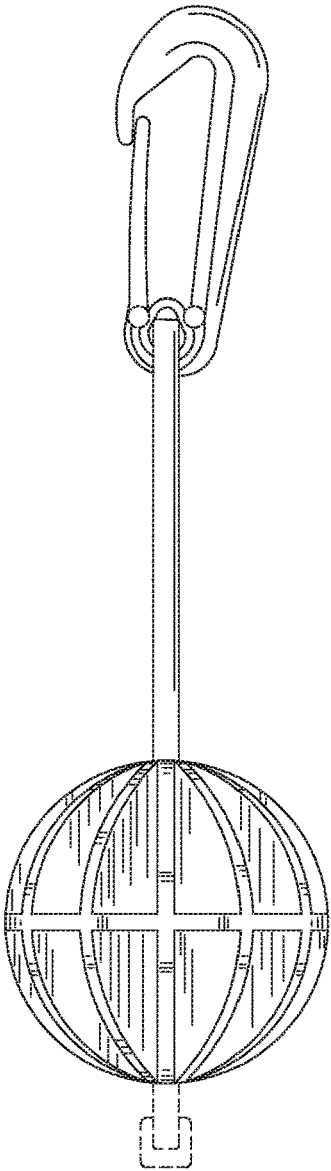


Fig. 2

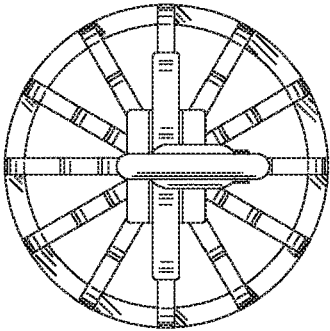


Fig. 3

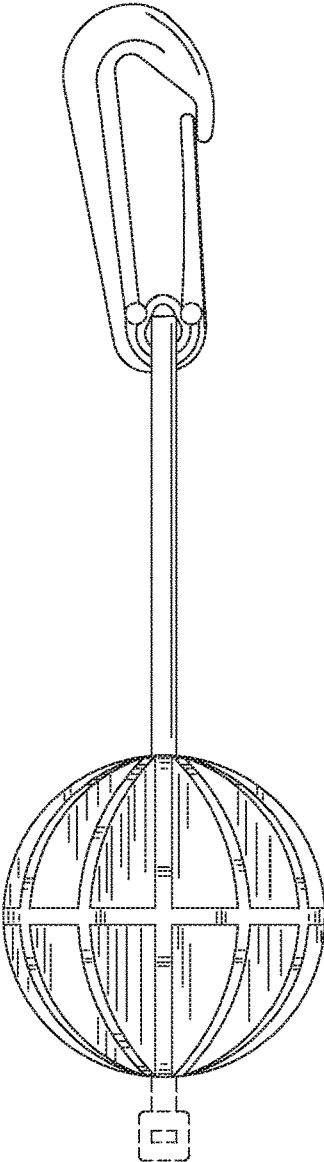


Fig. 4

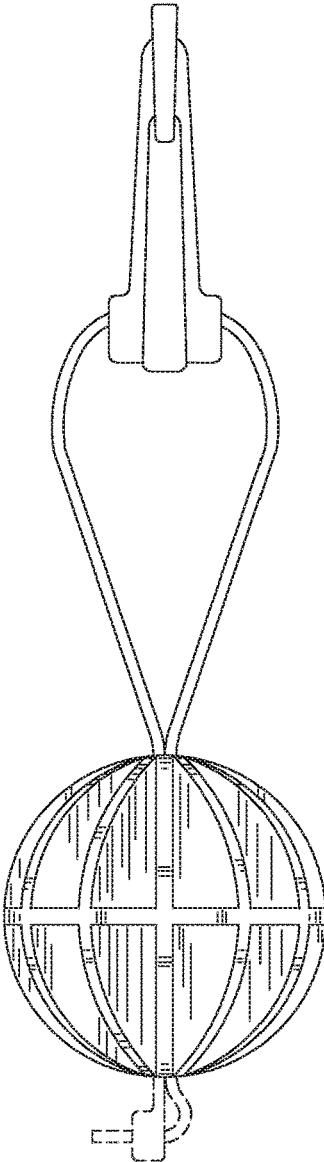


Fig. 5

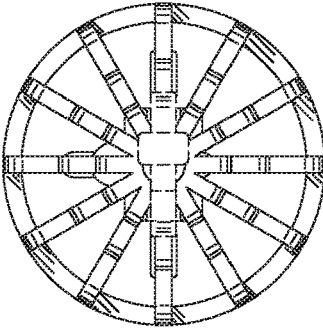


Fig. 6

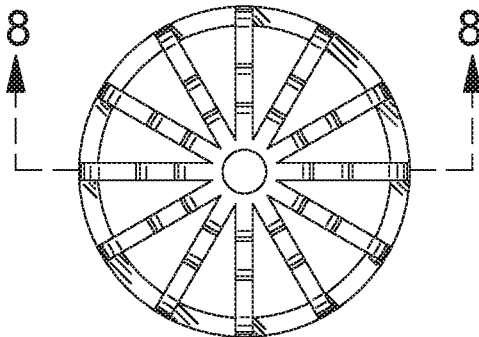


Fig. 7

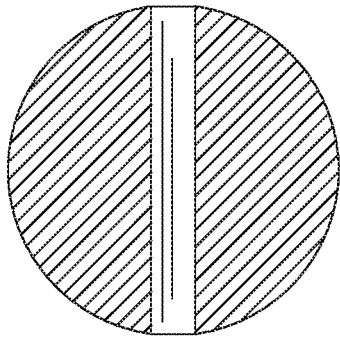


Fig. 8

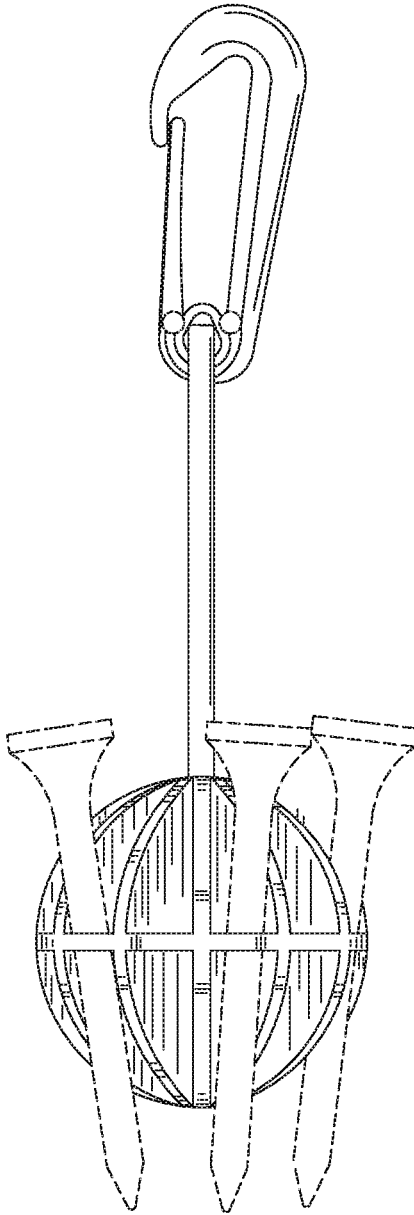


Fig. 9