

(12) 按照专利合作条约所公布的国际申请

(19) 世界知识产权组织
国际局



(43) 国际公布日
2010年5月14日 (14.05.2010)

PCT

(10) 国际公布号
WO 2010/052656 A3

- (51) 国际专利分类号:
F25C 5/00 (2006.01) *F25D 23/12* (2006.01) 国安徽省滁州市西门子路1号, Anhui 239016 (CN)。
- (21) 国际申请号: PCT/IB2009/054902 (74) 共同代表: BSH 博世和西门子家用器具有限公司 (BSH BOSCH UND SIEMENS HAUSGERÄTE GMBH); 德国慕尼黑市卡尔·威利街34号, München 81739 (DE)。
- (22) 国际申请日: 2009年11月4日 (04.11.2009)
- (25) 申请语言: 中文
- (26) 公布语言: 中文 (81) 指定国 (除另有指明, 要求每一种可提供的国家保护): AE, AG, AL, AM, AO, AT, AU, AZ, BA, BB, BG, BH, BR, BW, BY, BZ, CA, CH, CL, CN, CO, CR, CU, CZ, DE, DK, DM, DO, DZ, EC, EE, EG, ES, FI, GB, GD, GE, GH, GM, GT, HN, HR, HU, ID, IL, IN, IS, JP, KE, KG, KM, KN, KP, KR, KZ, LA, LC, LK, LR, LS, LT, LU, LY, MA, MD, ME, MG, MK, MN, MW, MX, MY, MZ, NA, NG, NI, NO, NZ, OM, PE, PG, PH, PL, PT, RO, RS, RU, SC, SD, SE, SG, SK, SL, SM, ST, SV, SY, TJ, TM, TN, TR, TT, TZ, UA, UG, US, UZ, VC, VN, ZA, ZM, ZW。
- (30) 优先权:
200810236382.2 2008年11月9日 (09.11.2008) CN
- (71) 申请人 (对除美国外的所有指定国): BSH 博世和西门子家用器具有限公司 (BSH BOSCH UND SIEMENS HAUSGERÄTE GMBH) [DE/DE]; 德国慕尼黑市卡尔·威利街34号, München 81739 (DE)。
- (72) 发明人: 及
- (75) 发明人/申请人 (仅对美国): 柏玉发 (BAI, Yufa) [CN/CN]; 中国安徽省滁州市西门子路1号, Anhui 239016 (CN)。 鲁松涛 (LU, Songtao) [CN/CN]; 中

[见续页]

(54) Title: THE REFRIGERATOR AND ITS OPERATING METHOD

(54) 发明名称: 冰箱及其工作方法

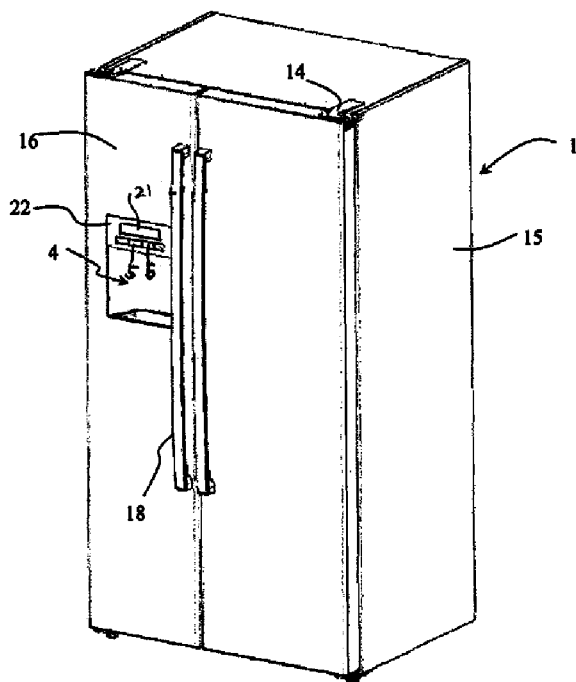


图1 / FIG. 1

(57) Abstract: An operation method of a refrigerator, wherein the refrigerator comprises a storage space (2), an ice container (3) in the storage space (2), a dispensing apparatus (4) for dispensing ice from the ice container (4) to outside of the storage space (2), the dispensing apparatus being configured to dispense at least two types of ice; and a switch (5,6) for selecting the type of ice to be dispensed, characterized in that the method comprising: when the switch (5,6) is activated, the dispenser apparatus (4) dispenses the type of ice selected by the actuation of the switch (5,6), responsive to actuation of the switch (5,6).

(57) 摘要: 本发明关于一种冰箱及其工作方法。所述冰箱(1)包括储藏空间(2), 位于所述储藏空间(2)内的储冰容器(3)以及从所述储冰容器(3)向储藏空间(2)外分配冰的分配装置(4), 其中所述分配装置(4)被设置成可以从分配至少两种冰, 所述冰箱(1)还包括用以选择要供应的冰的种类的开关(5, 6), 根据本发明的建议, 当所述开关(5, 6)被操作时, 所述分配装置(4)响应所述开关(5, 6)的操作而分配通过操作所述开关(5, 6)而选择种类的冰。

WO 2010/052656 A3



(84) **指定国** (除另有指明, 要求每一种可提供的地区保护): ARIPO (BW, GH, GM, KE, LS, MW, MZ, NA, SD, SL, SZ, TZ, UG, ZM, ZW), 欧亚 (AM, AZ, BY, KG, KZ, MD, RU, TJ, TM), 欧洲 (AT, BE, BG, CH, CY, CZ, DE, DK, EE, ES, FI, FR, GB, GR, HR, HU, IE, IS, IT, LT, LU, LV, MC, MK, MT, NL, NO, PL, PT, RO, SE, SI, SK, SM, TR), OAPI (BF, BJ, CF, CG, CI, CM, GA, GN, GQ, GW, ML, MR, NE, SN, TD, TG)。

本国际公布:

- 包括国际检索报告(条约第 21 条(3))。
- 在修改权利要求的期限届满之前进行, 在收到该修改后将重新公布(细则 48.2(h))。

(88) **国际检索报告公布日期:** 2010 年 10 月 7 日

INTERNATIONAL SEARCH REPORT

International application No PCT/IB2009/054902

A. CLASSIFICATION OF SUBJECT MATTER				
INV. F25C5/00 F25D23/12				
ADD.				
According to International Patent Classification (IPC) or to both national classification and IPC				
B. FIELDS SEARCHED				
Minimum documentation searched (classification system followed by classification symbols) F25C F25D				
Documentation searched other than minimum documentation to the extent that such documents are included in the fields searched				
Electronic data base consulted during the international search (name of data base and, where practical, search terms used) EPO-Internal				
C. DOCUMENTS CONSIDERED TO BE RELEVANT				
Category*	Citation of document, with indication, where appropriate, of the relevant passages	Relevant to claim No.		
X	US 2007/119516 A1 (HEGER BERND [DE] ET AL) 31 May 2007 (2007-05-31)	1,5-9		
Y	the whole document	3,4		
Y	----- EP 1 429 092 A2 (SAMSUNG ELECTRONICS CO LTD [KR]) 16 June 2004 (2004-06-16) paragraph [0003] - paragraph [0007]; figure 6	3,4		
X	----- EP 1 482 262 A1 (LG ELECTRONICS INC [KR]) 1 December 2004 (2004-12-01) paragraph [0058] - paragraph [0075]; figure 5	1-3,5,8, 9		
A	----- US 2006/196214 A1 (LEE SEUNG M [KR] ET AL) 7 September 2006 (2006-09-07) paragraph [0053]	6,7		
	----- -/--			
<input checked="" type="checkbox"/> Further documents are listed in the continuation of Box C. <input checked="" type="checkbox"/> See patent family annex.				
* Special categories of cited documents : <table style="width: 100%; border: none;"> <tr> <td style="width: 50%; border: none; vertical-align: top;"> "A" document: defining the general state of the art which is not considered to be of particular relevance "E" earlier document but published on or after the international filing date "L" document which may throw doubts on priority claim(s) or which is cited to establish the publication date of another citation or other special reason (as specified) "O" document referring to an oral disclosure, use, exhibition or other means "P" document published prior to the international filing date but later than the priority date claimed </td> <td style="width: 50%; border: none; vertical-align: top;"> "T" later document published after the international filing date or priority date and not in conflict with the application but cited to understand the principle or theory underlying the invention "X" document of particular relevance; the claimed invention cannot be considered novel or cannot be considered to involve an inventive step when the document is taken alone "Y" document of particular relevance; the claimed invention cannot be considered to involve an inventive step when the document is combined with one or more other such documents, such combination being obvious to a person skilled in the art. "&" document member of the same patent family </td> </tr> </table>			"A" document: defining the general state of the art which is not considered to be of particular relevance "E" earlier document but published on or after the international filing date "L" document which may throw doubts on priority claim(s) or which is cited to establish the publication date of another citation or other special reason (as specified) "O" document referring to an oral disclosure, use, exhibition or other means "P" document published prior to the international filing date but later than the priority date claimed	"T" later document published after the international filing date or priority date and not in conflict with the application but cited to understand the principle or theory underlying the invention "X" document of particular relevance; the claimed invention cannot be considered novel or cannot be considered to involve an inventive step when the document is taken alone "Y" document of particular relevance; the claimed invention cannot be considered to involve an inventive step when the document is combined with one or more other such documents, such combination being obvious to a person skilled in the art. "&" document member of the same patent family
"A" document: defining the general state of the art which is not considered to be of particular relevance "E" earlier document but published on or after the international filing date "L" document which may throw doubts on priority claim(s) or which is cited to establish the publication date of another citation or other special reason (as specified) "O" document referring to an oral disclosure, use, exhibition or other means "P" document published prior to the international filing date but later than the priority date claimed	"T" later document published after the international filing date or priority date and not in conflict with the application but cited to understand the principle or theory underlying the invention "X" document of particular relevance; the claimed invention cannot be considered novel or cannot be considered to involve an inventive step when the document is taken alone "Y" document of particular relevance; the claimed invention cannot be considered to involve an inventive step when the document is combined with one or more other such documents, such combination being obvious to a person skilled in the art. "&" document member of the same patent family			
Date of the actual completion of the international search	Date of mailing of the international search report			
9 August 2010	13/08/2010			
Name and mailing address of the ISA/ European Patent Office, P.B. 5818 Patentlaan 2 NL - 2280 HV Rijswijk Tel. (+31-70) 340-2040, Fax: (+31-70) 340-3016	Authorized officer Jessen, Flemming			

INTERNATIONAL SEARCH REPORT

International application No
PCT/IB2009/054902

C(Continuation). DOCUMENTS CONSIDERED TO BE RELEVANT		
Category*	Citation of document, with indication, where appropriate, of the relevant passages	Relevant to claim No.
A	US 2008/157644 A1 (LEE DONG HOON [KR] ET AL) 3 July 2008 (2008-07-03) the whole document -----	1,8
A	US 2007/157641 A1 (FERRAGUT NELSON J II [US] ET AL FERRAGUT II NELSON J [US] ET AL) 12 July 2007 (2007-07-12) the whole document -----	1,8
A	WO 2007/054166 A1 (ELECTROLUX HOME PROD CORP [BE]; GUSTAVSSON GOERAN [SE]; MAGNUSSON MAGN) 18 May 2007 (2007-05-18) line 11 - page 4, line 21 -----	1

INTERNATIONAL SEARCH REPORT

Information on patent family members

International application No PCT/IB2009/054902

Patent document cited in search report	Publication date	Publication date	Patent family member(s)	Publication date
US 2007119516	A1	31-05-2007	CN 101317059 A EP 1957917 A1 WO 2007063039 A1	03-12-2008 20-08-2008 07-06-2007
EP 1429092	A2	16-06-2004	US 2004111182 A1	10-06-2004
EP 1482262	A1	01-12-2004	CN 1573267 A KR 20040102569 A US 2004237569 A1	02-02-2005 08-12-2004 02-12-2004
US 2006196214	A1	07-09-2006	DE 102006009461 A1 MX PA06002373 A	19-10-2006 14-09-2006
US 2008157644	A1	03-07-2008	WO 2008082103 A1 KR 20080062190 A	10-07-2008 03-07-2008
US 2007157641	A1	12-07-2007	NONE	
WO 2007054166	A1	18-05-2007	EP 1952078 A1	06-08-2008

国际检索报告

国际申请号
PCT/IB2009/054902

A. 主题的分类 INV. F25C5/00 F25D23/12 ADD. 按照国际专利分类表(IPC)或者同时按照国家分类和 IPC 两种分类		
B. 检索领域 检索的最低限度文献(标明分类系统和分类号) F25C F25D 包含在检索领域中的除最低限度文献以外的检索文献 在国际检索时查阅的电子数据库(数据库的名称, 和使用的检索词(如使用)) EPO-Internal		
C. 相关文件		
类型*	引用文件, 必要时, 指明相关段落	相关的权利要求
X	US 2007/119516 A1(HEGER BERND [DE] 等) 2007年5月31日(31.05.2007)	1, 5-9
Y	全文	3, 4
Y	EP 1 429 092 A2 (SAMSUNG ELECTRONICS CO LTD [KR]) 2004年6月16日(16.06.2004) 第0003段-第0007段; 附图6	3, 4
X	EP 1 482 262 A1 (LG ELECTRONICS INC [KR]) 2004年12月1日(01.12.2004) 第0058段-第0075段; 附图5	1-3, 5, 8, 9
A	US 2006/196214 A1 (LEE SEUNG M [KR] 等) 2006年9月7日(07.09.2006) 第0053段	6, 7
<input checked="" type="checkbox"/> 其余文件在 C 栏的续页中列出。 <input checked="" type="checkbox"/> 见同族专利附件。		
* 引用文件的具体类型: "A" 认为不特别相关的表示了现有技术一般状态的文件 "E" 在国际申请日的当天或之后公布的在先申请或专利 "L" 可能对优先权要求构成怀疑的文件, 为确定另一篇引用文件的公布日而引用的或者因其他特殊理由而引用的文件 "O" 涉及口头公开、使用、展览或其他方式公开的文件 "P" 公布日先于国际申请日但迟于所要求的优先权日的文件 "T" 在申请日或优先权日之后公布, 与申请不相抵触, 但为了理解发明之理论或原理的在后文件 "X" 特别相关的文件, 单独考虑该文件, 认定要求保护的发明不是新颖的或不具有创造性 "Y" 特别相关的文件, 当该文件与另一篇或者多篇该类文件结合并且这种结合对于本领域技术人员为显而易见时, 要求保护的发明不具有创造性 "&" 同族专利的文件		
国际检索实际完成的日期 2010年8月9日(09.08.2010)		国际检索报告邮寄日期 2010年8月13日(13.08.2010)
国际检索单位名称和邮寄地址 欧洲专利局(ISA/EP), P.B. 5818 Patentlaan 2 NL-2280 HV Rijswijk, 荷兰 电话号: (+31-70) 340-2040 传真号: (+31-70) 340-3016		受权官员 Jessen, Flemming.

C(续). 相关文件

类型	引用文件, 必要时, 指明相关段落	相关的权利要求
A	US 2008/157644 (LEE DONG HOON [KR] 等) 2008年7月3日 (03.07.2008) 全文 -----	1, 8
A	US 2007/157641 A1 (FERRAGUT NELSON J II [US] 等) 2007年7月12日 (12.07.2007) 全文 -----	1, 8
A	WO 2007/054166 A1 (ELECTROLUX HOME PROD CORP [BE]; GUSTAVSSON GOERAN [SE]; MAGNUSSON MAGN) 2007年5月18日 (18.05.2007) 第11行-第4页, 第21行 -----	1

国际检索报告
关于同族专利的信息

国际申请号
PCT/IB2009/054902

检索报告中引用的 专利文件	公布日期	同族专利	公布日期
US 2007119516 A1	31-05-2007	CN 101317059 A	03-12-2008
		EP 1957917 A1	20-08-2008
		WO 2007063039 A1	07-06-2007
EP 1429092 A2	16-06-2004	US 2004111182 A1	10-06-2004
EP 1482262 A1	01-12-2004	CN 1573267 A	02-12-2005
		KR 20040102569 A	08-12-2004
		US 2004237569 A1	02-12-2004
US 2006196214 A1	07-09-2006	DE 102006009461 A1	19-10-2006
		MX PA06002373 A	14-09-2006
US 2008157644 A1	03-07-2008	WO 2008082103 A1	10-07-2008
		KR 00800622190 A	03-07-2008
US 2007157641 A1	12-07-2007	无	
WO 2007054166 A1	18-05-2007	EP 1952078 A1	06-08-2008