



US00D376818S

United States Patent [19]

[11] Patent Number: **Des. 376,818**

Graham et al.

[45] Date of Patent: ****Dec. 24, 1996**

[54] TALKING GLOBE BASE

2,368,347 1/1945 Colberg 434/131
4,493,648 1/1985 Suzuki 434/136

[75] Inventors: **Dennis J. Graham**, Long Beach;
Gregory B. Bergeron, La Habra;
Damon R. Saddler, Inglewood, all of Calif.

Primary Examiner—Susan J. Lucas
Assistant Examiner—Pamela Burgess
Attorney, Agent, or Firm—Price, Gess & Ubell

[73] Assignee: **Educational Insights, Inc.**, Carson, Calif.

[57] CLAIM

[**] Term: **14 Years**

The ornamental design for a talking globe base, as shown and described.

[21] Appl. No.: **49,787**

DESCRIPTION

[22] Filed: **Jan. 31, 1996**

FIG. 1 is a left side elevational view of the talking globe base showing the new design;

[52] U.S. Cl. **D19/61**

FIG. 2 is a front side elevational view thereof;

[58] Field of Search D19/59-64; 434/130, 434/131, 133, 134, 136, 141, 142

FIG. 3 is a right side elevational view thereof;

FIG. 4 is a rear side elevational view thereof;

FIG. 5 is a top plan view thereof; and,

FIG. 6 is a bottom plan view thereof.

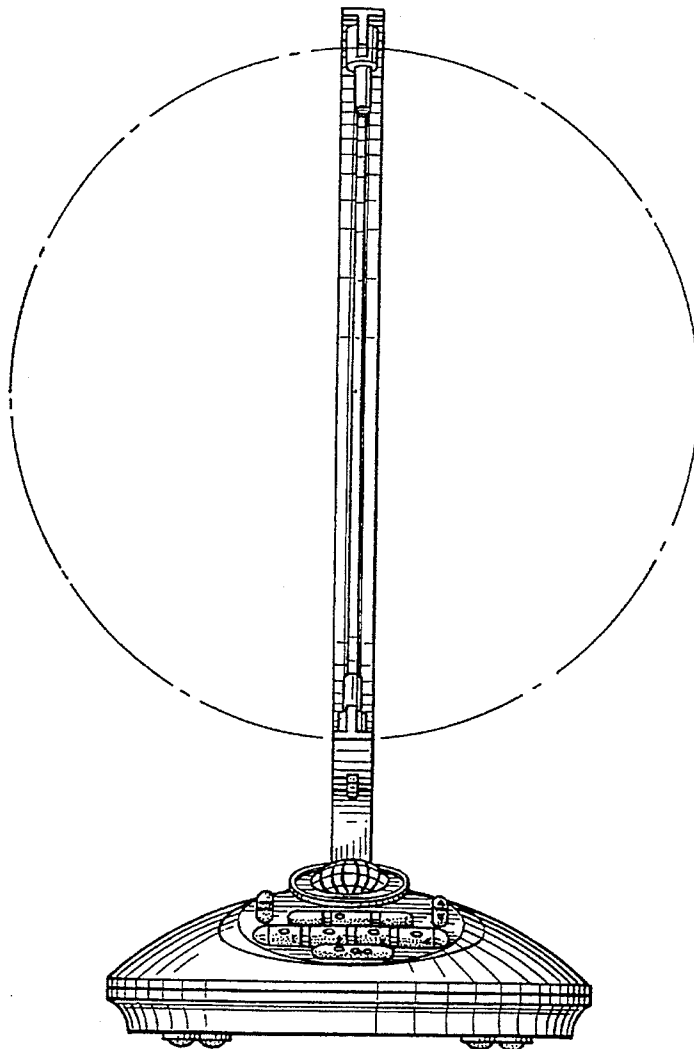
[56] References Cited

The broken lines representing a globe in all Figures are for illustrative purposes only and form no part of the claimed design.

U.S. PATENT DOCUMENTS

- D. 102,690 1/1937 Koolish D19/61 X
- D. 352,312 11/1994 Butler D19/61

1 Claim, 4 Drawing Sheets



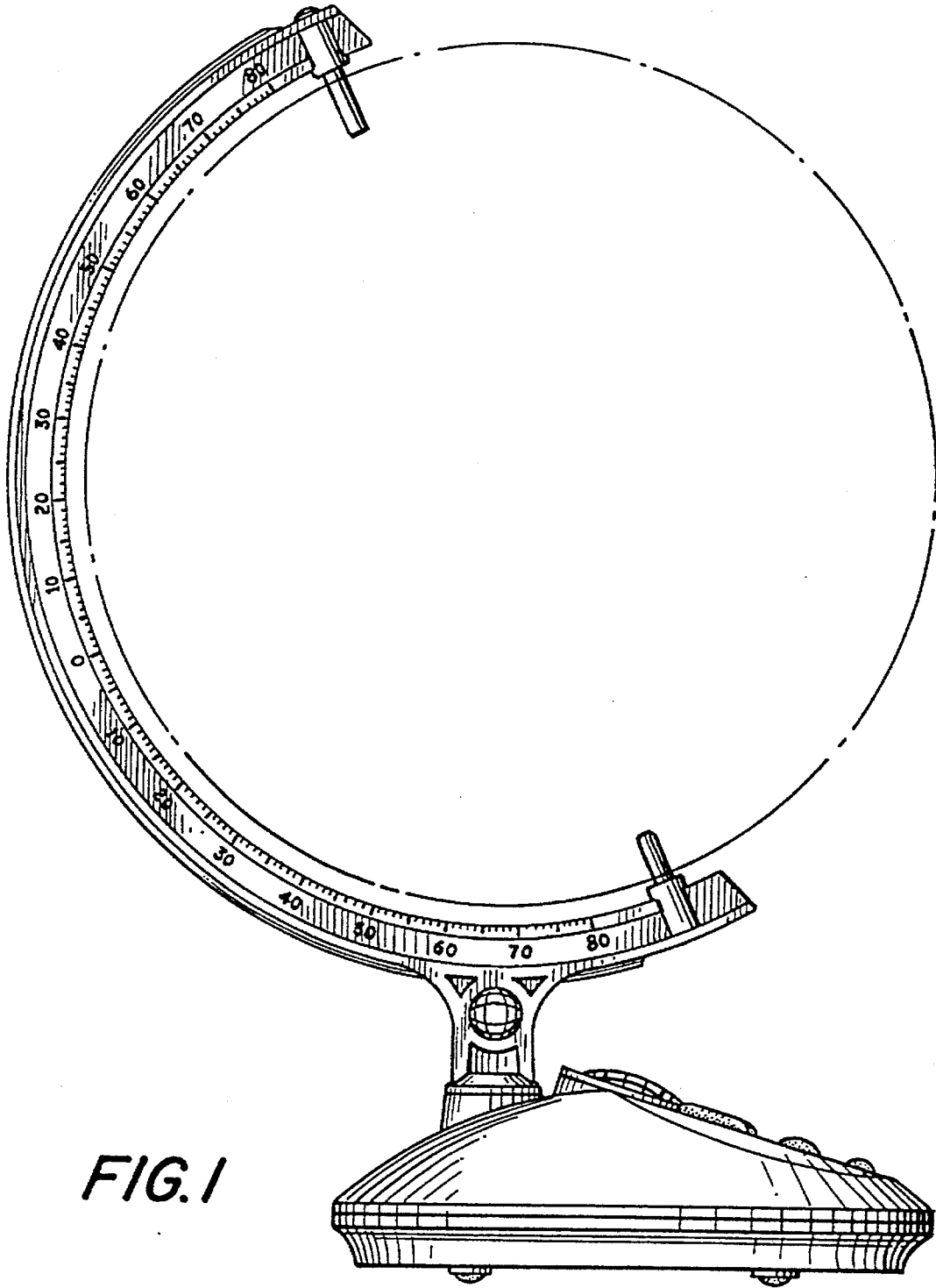


FIG. 1

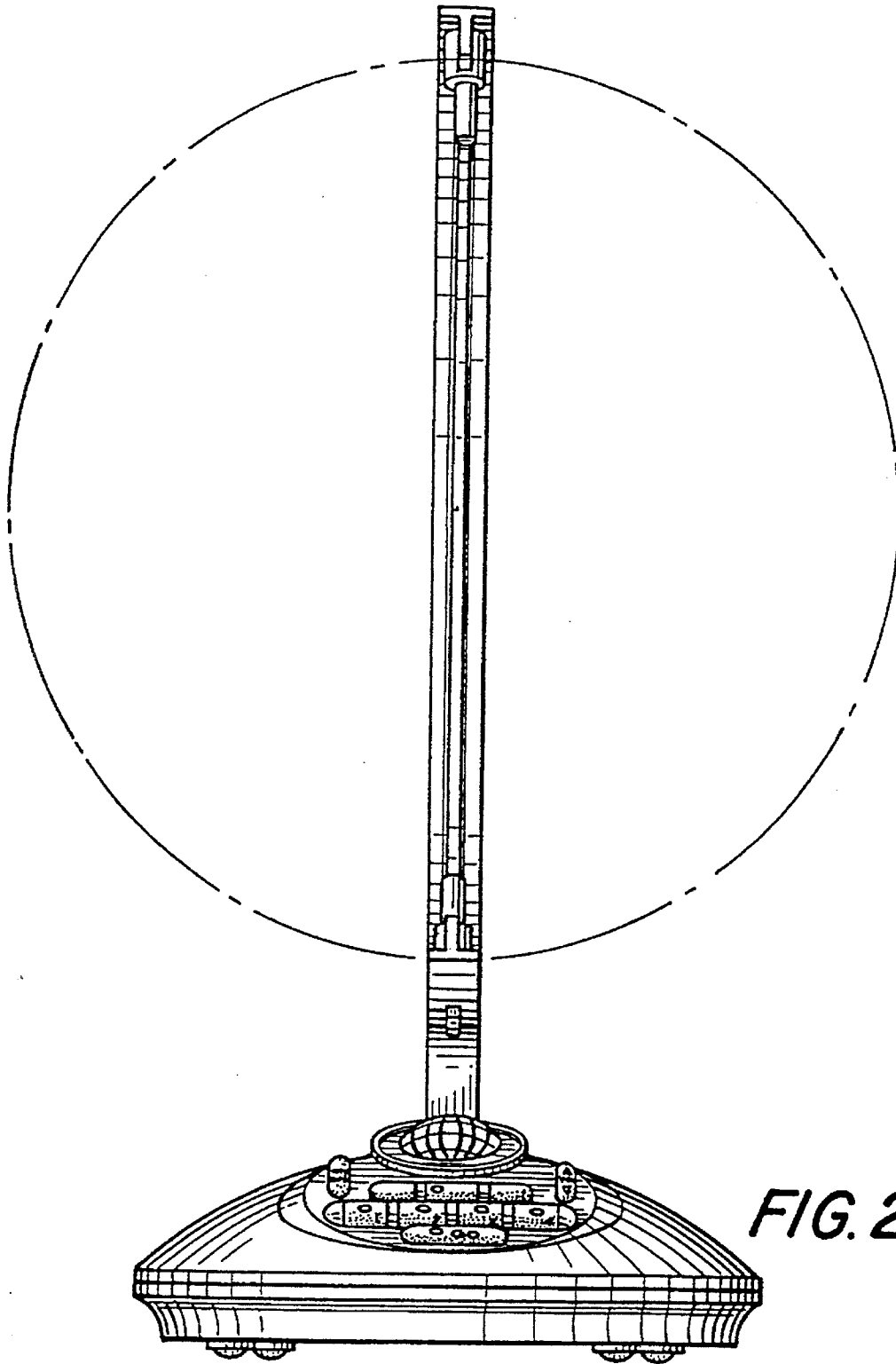


FIG. 2

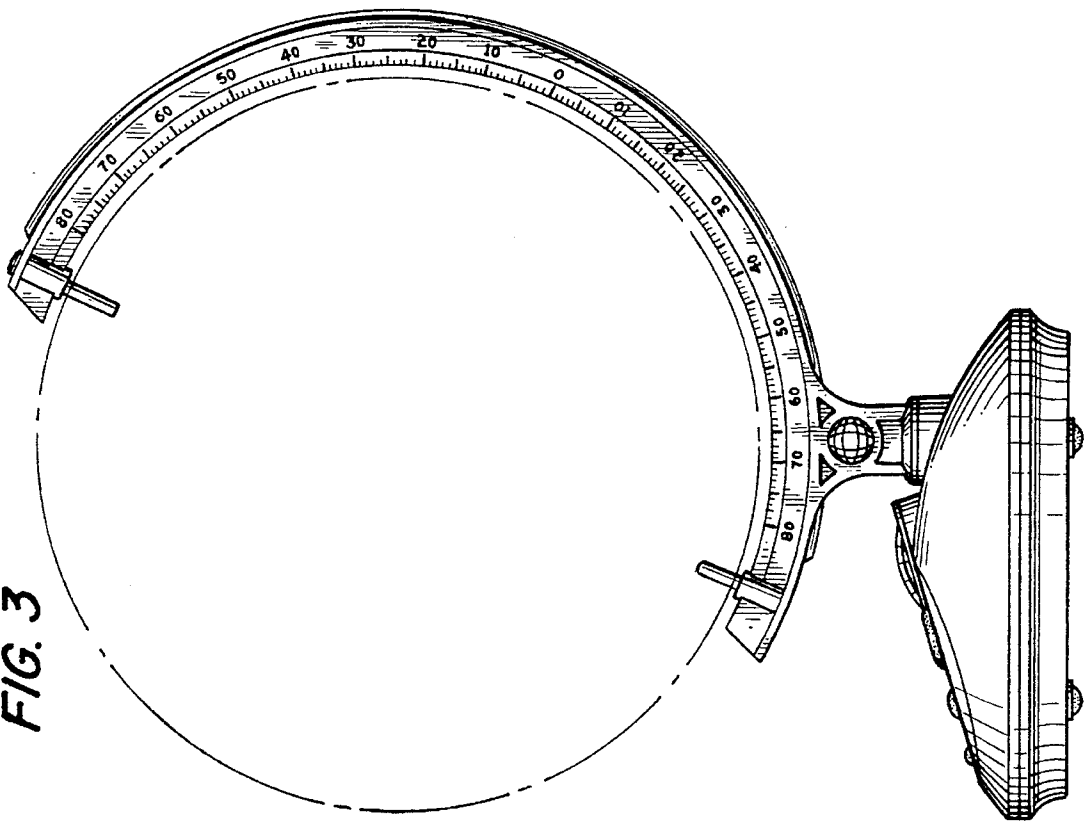
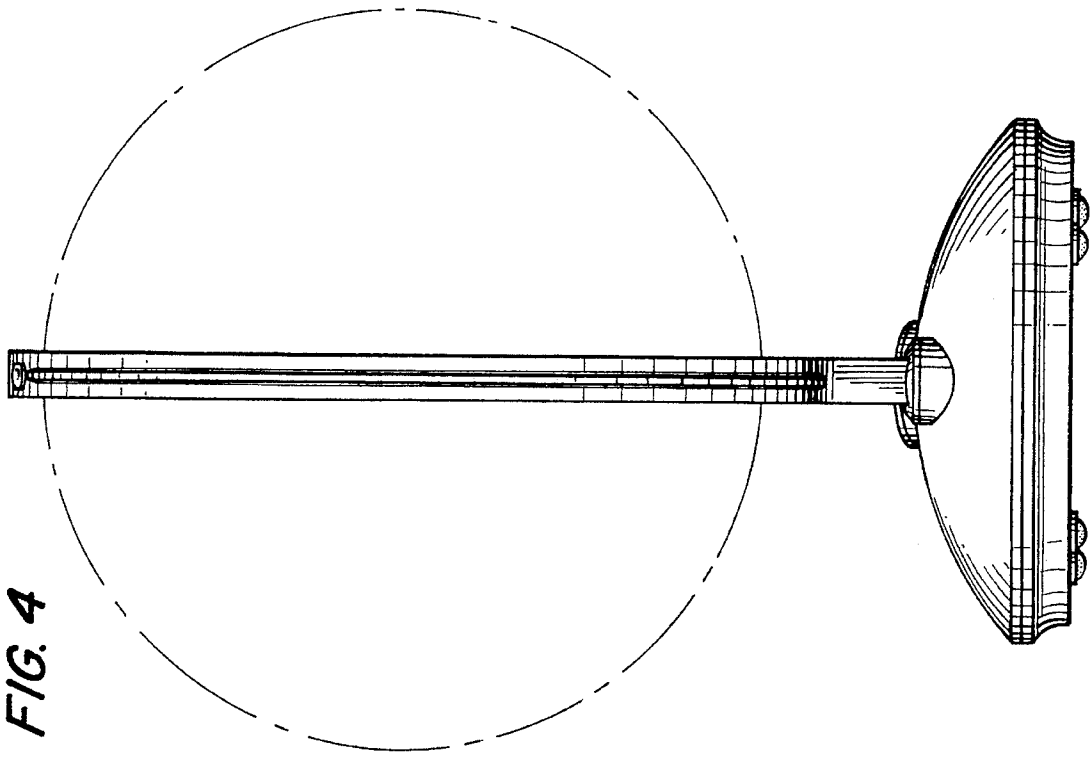


FIG. 6

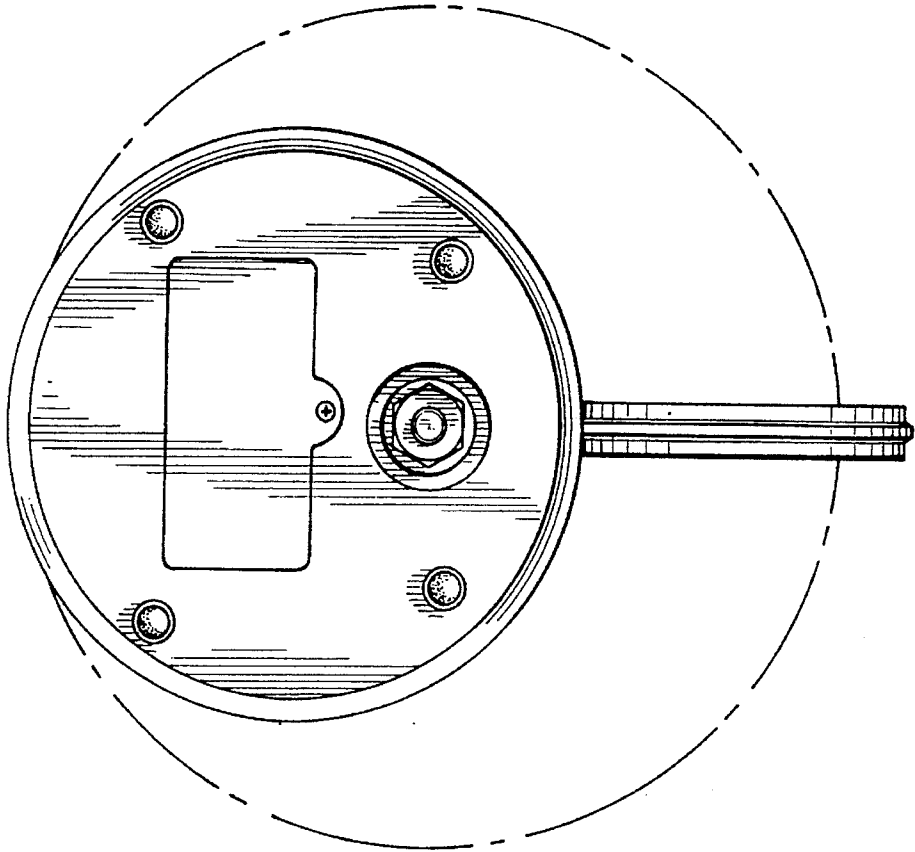


FIG. 5

