

(19) World Intellectual Property Organization  
International Bureau



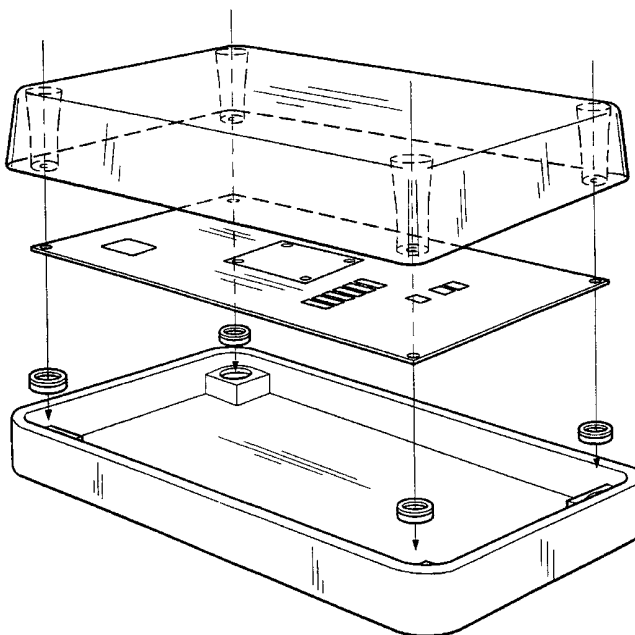
(43) International Publication Date  
30 August 2001 (30.08.2001)

PCT

(10) International Publication Number  
**WO 01/63994 A3**

- (51) International Patent Classification<sup>7</sup>: **H05K 5/02**, G06F 1/00
- (21) International Application Number: PCT/US01/05912
- (22) International Filing Date: 22 February 2001 (22.02.2001)
- (25) Filing Language: English
- (26) Publication Language: English
- (30) Priority Data:  
09/510,825 23 February 2000 (23.02.2000) US
- (71) Applicant: **IRIDIAN TECHNOLOGIES, INC.**  
[US/US]; 121 Whittendale Drive, Moorestown, NJ 08057 (US).
- (72) Inventors: **VAN SANT, Glen**; 414 Valley Road, Langhorne, PA 19047 (US). **MASSARI, Angelo**; 696 Oak Avenue, Malaga, NJ 08328 (US).
- (74) Agents: **DONOHUE, John, P., Jr.** et al.; Woodcock Washburn Kurtz Mackiewicz & Norris LLP, 46th Floor, One Liberty Place, Philadelphia, PA 19103 (US).
- (81) Designated States (*national*): AE, AG, AL, AM, AT, AU, AZ, BA, BB, BG, BR, BY, BZ, CA, CH, CN, CR, CU, CZ, DE, DK, DM, DZ, EE, ES, FI, GB, GD, GE, GH, GM, HR, HU, ID, IL, IN, IS, JP, KE, KG, KP, KR, KZ, LC, LK, LR, LS, LT, LU, LV, MA, MD, MG, MK, MN, MW, MX, MZ, NO, NZ, PL, PT, RO, RU, SD, SE, SG, SI, SK, SL, TJ, TM, TR, TT, TZ, UA, UG, UZ, VN, YU, ZA, ZW.
- (84) Designated States (*regional*): ARIPO patent (GH, GM, KE, LS, MW, MZ, SD, SL, SZ, TZ, UG, ZW), Eurasian patent (AM, AZ, BY, KG, KZ, MD, RU, TJ, TM), European patent (AT, BE, CH, CY, DE, DK, ES, FI, FR, GB, GR, IE, IT, LU, MC, NL, PT, SE, TR), OAPI patent (BF, BJ, CF, CG, CI, CM, GA, GN, GW, ML, MR, NE, SN, TD, TG).
- Published:  
— with international search report
- (88) Date of publication of the international search report:  
18 April 2002
- For two-letter codes and other abbreviations, refer to the "Guidance Notes on Codes and Abbreviations" appearing at the beginning of each regular issue of the PCT Gazette.

(54) Title: TAMPER PROOF CASE FOR ELECTRONIC DEVICES HAVING MEMORIES WITH SENSITIVE INFORMATION



(57) Abstract: A tamper-proof enclosure is disclosed. The enclosure utilizes various types of sensors that are capable of detecting chassis intrusion, extreme temperature variations and low battery power. A circuit is formed when the chassis is closed and broken when the chassis is opened. A sensor connected to the circuit detects a broken circuit. Other sensors detect unacceptable high or low temperatures and low battery power. When a sensor detects such a condition, it sends a signal causing a portion of the memory of the device contained within the enclosure to be erased.



WO 01/63994 A3

INTERNATIONAL SEARCH REPORT

International Application No  
PCT/US 01/05912

A. CLASSIFICATION OF SUBJECT MATTER  
IPC 7 H05K5/02 G06F1/00

According to International Patent Classification (IPC) or to both national classification and IPC

B. FIELDS SEARCHED

Minimum documentation searched (classification system followed by classification symbols)  
IPC 7 H05K G06F

Documentation searched other than minimum documentation to the extent that such documents are included in the fields searched

Electronic data base consulted during the international search (name of data base and, where practical, search terms used)

EPO-Internal

C. DOCUMENTS CONSIDERED TO BE RELEVANT

Category *	Citation of document, with indication, where appropriate, of the relevant passages	Relevant to claim No.
X	DE 195 12 266 A (JACOB RAINER) 28 March 1996 (1996-03-28)  column 2, line 51 -column 3, line 8; figure 2	1, 2, 10, 11, 13-17, 22, 23
X	WO 88 08176 A (IDO AG) 20 October 1988 (1988-10-20)	1, 2, 14
Y A	page 4, paragraph 2; figures 3, 4	3, 18, 19 4-13, 15-17, 20-24
Y A	EP 0 540 376 A (SAGEM) 5 May 1993 (1993-05-05) column 2, line 37 -column 3, line 29; figure 1	3, 18, 19  1, 2, 4-24

Further documents are listed in the continuation of box C.

Patent family members are listed in annex.

\* Special categories of cited documents:

- \*A\* document defining the general state of the art which is not considered to be of particular relevance
- \*E\* earlier document but published on or after the international filing date
- \*L\* document which may throw doubts on priority claim(s) or which is cited to establish the publication date of another citation or other special reason (as specified)
- \*O\* document referring to an oral disclosure, use, exhibition or other means
- \*P\* document published prior to the international filing date but later than the priority date claimed

- \*T\* later document published after the international filing date or priority date and not in conflict with the application but cited to understand the principle or theory underlying the invention
- \*X\* document of particular relevance; the claimed invention cannot be considered novel or cannot be considered to involve an inventive step when the document is taken alone
- \*Y\* document of particular relevance; the claimed invention cannot be considered to involve an inventive step when the document is combined with one or more other such documents, such combination being obvious to a person skilled in the art.
- \*Z\* document member of the same patent family

Date of the actual completion of the international search

21 August 2001

Date of mailing of the international search report

28/08/2001

Name and mailing address of the ISA

European Patent Office, P.B. 5818 Patentlaan 2  
NL - 2280 HV Rijswijk  
Tel. (+31-70) 340-2040, Tx. 31 651 epo nl,  
Fax: (+31-70) 340-3016

Authorized officer

Rubenowitz, A

INTERNATIONAL SEARCH REPORT

International Application No

PCT/US 01/05912

C.(Continuation) DOCUMENTS CONSIDERED TO BE RELEVANT

Category *	Citation of document, with indication, where appropriate, of the relevant passages	Relevant to claim No.
X	EP 0 514 708 A (SIEMENS NIXDORF INF SYST) 25 November 1992 (1992-11-25)	1,14
A	column 5, line 8 - line 17; figures	2-13, 15-24
A	----- EP 0 860 881 A (GEN INSTRUMENT CORP) 26 August 1998 (1998-08-26) column 4, line 3 - line 14 -----	1-24

# INTERNATIONAL SEARCH REPORT

Information on patent family members

International Application No

PCT/US 01/05912

Patent document cited in search report	Publication date	Patent family member(s)	Publication date
DE 19512266 A	28-03-1996	NONE	
WO 8808176 A	20-10-1988	AU 1341688 A ES 2007813 A	04-11-1988 01-07-1989
EP 0540376 A	05-05-1993	FR 2681134 A	12-03-1993
EP 0514708 A	25-11-1992	DE 4115703 C AT 143210 T DE 59207156 D ES 2091358 T	27-08-1992 15-10-1996 24-10-1996 01-11-1996
EP 0860881 A	26-08-1998	US 5880523 A CA 2230009 A CN 1197968 A JP 10301858 A	09-03-1999 24-08-1998 04-11-1998 13-11-1998