



(12) **United States Design Patent**
Neufeglise et al.

(10) **Patent No.:** **US D796,367 S**
(45) **Date of Patent:** **** Sep. 5, 2017**

(54) **ACOUSTIC BACKUP ALARM CAPABLE OF DUAL TECHNOLOGY (ACOUSTICAL AND OPTICAL) OPERATION**

(71) Applicant: **STAR HEADLIGHT & LANTERN CO., INC.**, Avon, NY (US)

(72) Inventors: **Steven W. Neufeglise**, Rochester, NY (US); **James J. Cronmiller**, West Henrietta, NY (US)

(73) Assignee: **STAR HEADLIGHT & LANTERN CO., INC.**, Avon, NY (US)

(**) Term: **14 Years**

(21) Appl. No.: **29/518,885**

(22) Filed: **Feb. 27, 2015**

(51) **LOC (10) Cl.** **10-05**

(52) **U.S. Cl.**
USPC **D10/120**

(58) **Field of Classification Search**
USPC D10/120, 116.1, 109.1, 109.2
CPC G08B 7/06; H04R 1/345
See application file for complete search history.

(56) **References Cited**

U.S. PATENT DOCUMENTS

4,603,317	A	7/1986	Gailbreath et al.
4,689,609	A	8/1987	Ko et al.
4,790,020	A	12/1988	Lin
4,847,590	A	7/1989	Gosswiller
4,893,343	A	1/1990	Bader
4,963,855	A	10/1990	Kojima
4,975,965	A	12/1990	Adamson
4,994,800	A	2/1991	Milliken
D382,221	S	8/1997	Chen
D397,635	S	9/1998	Chu
5,804,774	A	9/1998	Ford et al.
5,970,158	A	10/1999	Beltran

6,127,918	A	10/2000	Lin	
6,166,623	A	12/2000	Coward	
D453,306	S	2/2002	Bekasi	
6,516,076	B1	2/2003	Marlin	
D485,201	S	1/2004	Corrigan	
D512,336	S	12/2005	Flick	
D513,200	S	12/2005	Lai	
6,977,584	B2	12/2005	Milliken	
D514,010	S	1/2006	Corrigan	
D514,466	S	2/2006	Lai	
D514,973	S	2/2006	Coward	
D516,448	S	3/2006	Lai	
D518,023	S	3/2006	Miller	
7,617,794	B2	11/2009	Chlystek	
D605,966	S *	12/2009	Weil	D10/109.2
D639,688	S	6/2011	Neufeglise et al.	

(Continued)

Primary Examiner — George D Kirschbaum

(74) *Attorney, Agent, or Firm* — Kenneth J. Lukacher;
Lukacher Law Group

(57) **CLAIM**

The ornamental design for an acoustic backup alarm capable of dual technology (acoustical and optical) operation, as shown and described.

DESCRIPTION

FIG. 1 is a perspective view looking downwardly from the right side thereof of an acoustic backup alarm in accordance with the invention;

FIG. 2 is a perspective view similar to FIG. 1, but looking downwardly from the left of the acoustic backup alarm in accordance with the invention;

FIG. 3 is a front elevational view thereof;

FIG. 4 is an elevational view of the right side thereof;

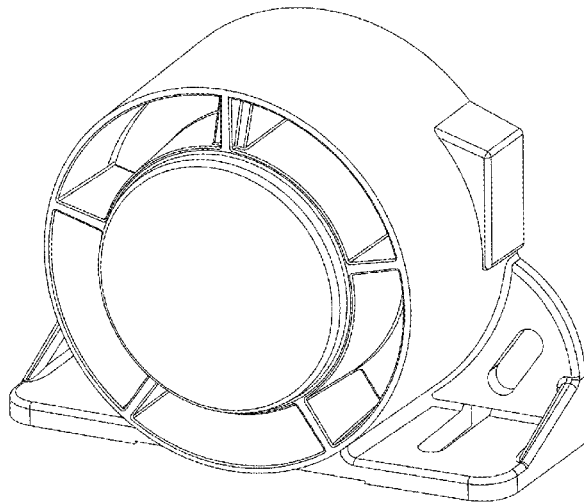
FIG. 5 is an elevational view from the left side thereof;

FIG. 6 is a top view thereof

FIG. 7 is a bottom view thereof; and,

FIG. 8 is a back elevational view thereof.

1 Claim, 4 Drawing Sheets



(56)

References Cited

U.S. PATENT DOCUMENTS

8,669,852	B2 *	3/2014	Neufeglise	G08B 7/06 116/137 R
8,989,419	B2 *	3/2015	Graber	H04R 1/345 381/339
D778,756	S *	2/2017	Boisse	D10/120
2005/0276432	A1	12/2005	Hsieh	

* cited by examiner

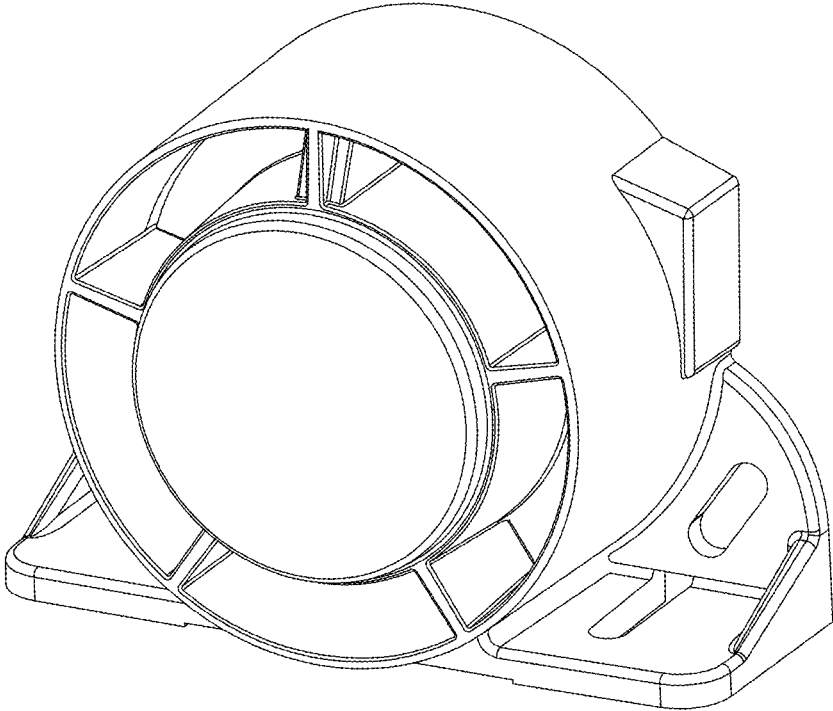


FIG. 1

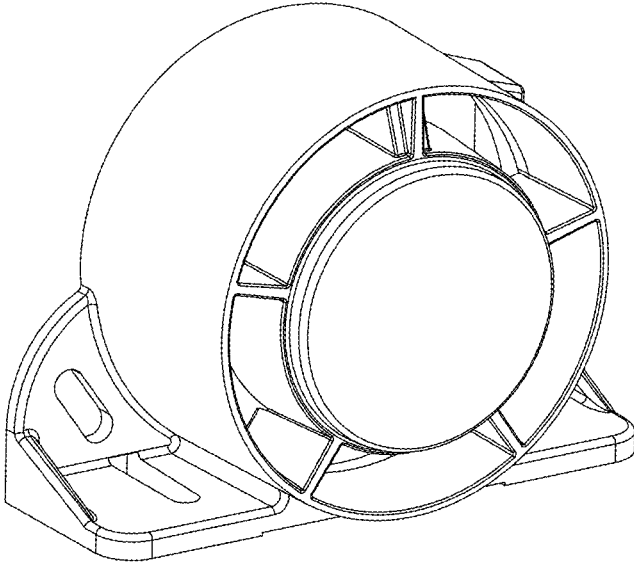


FIG. 2

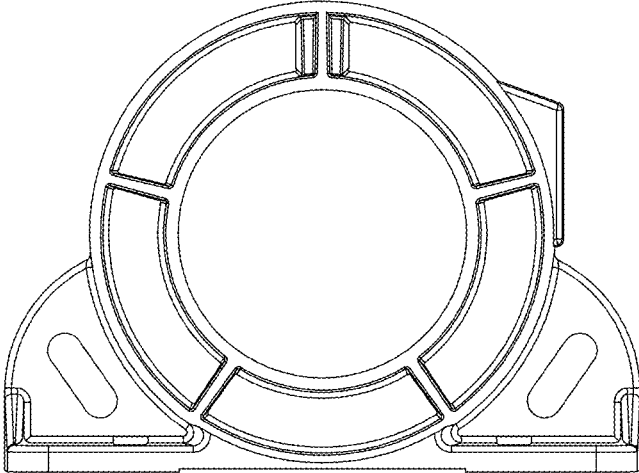


FIG. 3

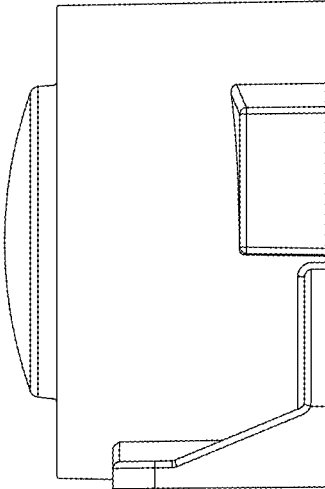


FIG. 4

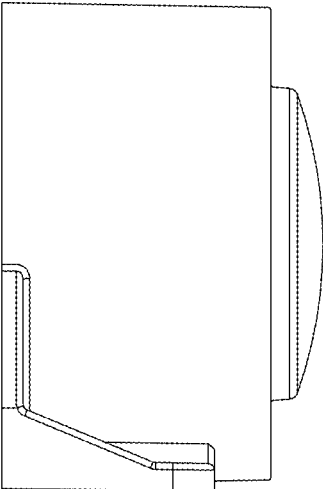


FIG. 5

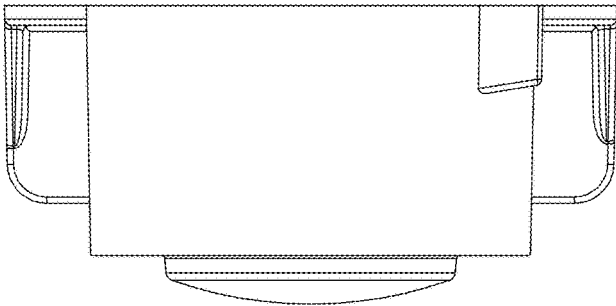


FIG. 6

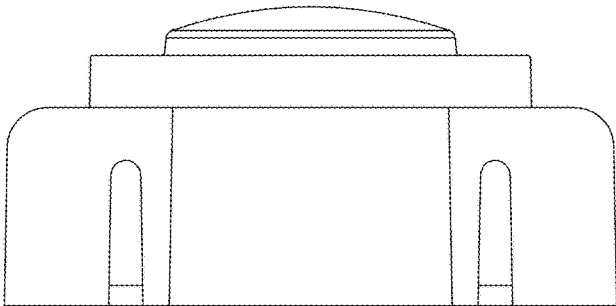


FIG. 7

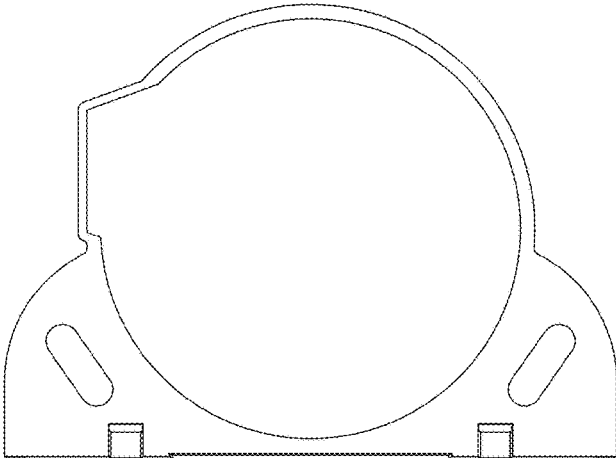


FIG. 8