



US00D998329S

(12) **United States Design Patent**  
**Kulkin**

(10) **Patent No.:** **US D998,329 S**

(45) **Date of Patent:** **\*\* Sep. 12, 2023**

(54) **TOTE BAG**

(71) Applicant: **STRETTREND LLC**, Ft. Lauderdale, FL (US)

(72) Inventor: **Wayne Kulkin**, Jackson, WY (US)

(73) Assignee: **STRETTREND LLC**, Ft. Lauderdale, FL (US)

(\*\*) Term: **15 Years**

(21) Appl. No.: **29/816,970**

(22) Filed: **Nov. 26, 2021**

(51) **LOC (14) Cl.** ..... **03-01**

(52) **U.S. Cl.** ..... **D3/246**  
USPC

(58) **Field of Classification Search**

USPC ..... D3/20, 200, 201, 203.1, 203.2, 203.3, D3/203.4, 203.5, 203.6, 203.7, 203.8, D3/205-207, 212, 218, 220, 222, D3/224-226, 228, 230, 232, 234, D3/242-246, 259, 269, 270, 271.1, 271.3, D3/271.4, 272-276, 278, 279, 303, 304, D3/900-905; D7/589, 391; D9/731, 415; D13/184; D14/203.4, 203.6, 204, D14/509-511; D23/202, 206; D27/127, D27/144, 186; D28/73; D99/28  
CPC ..... A45C 1/00; A45C 1/02; A45C 2001/003; A45C 2001/006; A45C 5/00; A45C 5/005; A45C 5/03; A45C 5/04; A45C 5/14; A45C 5/141; A45C 2005/032; A45C 2005/037; A45C 2005/10; A45C 2005/142; A45C 11/00; A45C 11/20; A45C 11/24; A45C 11/34; A45C 11/36; A45C 11/38; A45C

(Continued)

(56) **References Cited**

**U.S. PATENT DOCUMENTS**

1,537,956 A \* 5/1925 McNally ..... A45C 3/00  
D3/274

2,276,765 A 3/1942 De Gree

2,497,325 A 2/1950 Scherba

(Continued)

**FOREIGN PATENT DOCUMENTS**

EM 015002566-0001 \* 11/2022  
GB 6178961 \* 11/2021

(Continued)

**OTHER PUBLICATIONS**

YunZh Denim Tote Bag, available at amazon.com, earliest date available Jan. 1, 2021 [online], site visited Mar. 21, 2023, available from the internet URL: <https://www.amazon.com/Yunzh-Shoulder-Classic-Handbag-Shopping/dp/B07WCNNMY5> (Year: 2021).\*

(Continued)

*Primary Examiner* — April Rivas

*Assistant Examiner* — Jillian Mazzola

(74) *Attorney, Agent, or Firm* — Andrew F. Young;

NOLTE LACKENBACH SIEGEL

(57) **CLAIM**

The ornamental design for a tote bag, as shown and described.

**DESCRIPTION**

FIG. 1 is a front top perspective view of a tote bag showing my new design.

FIG. 2 is a rear top perspective view thereof;

FIG. 3 is a front plan view thereof;

FIG. 4 is a rear plan view thereof;

FIG. 5 is a left side elevation view thereof;

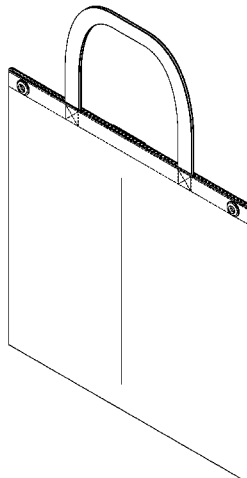
FIG. 6 is a right side elevation view thereof;

FIG. 7 is a top plan view thereof; and,

FIG. 8 is a bottom plan view thereof.

The broken lines shown in the drawings depict portions of the tote bag that form no part of the claimed design.

**1 Claim, 6 Drawing Sheets**



(58) **Field of Classification Search**

CPC . 2011/007; A45C 2011/322; A61J 1/00; A61J  
1/07; A61J 1/03; B65D 83/04  
See application file for complete search history.

D830,048	S	*	10/2018	McQueeney	.....	D7/602
D851,908	S	*	6/2019	Casha	.....	D3/201
10,662,024	B2		5/2020	Kirkham		
D918,734	S	*	5/2021	Zanchin	.....	D3/201
2005/0028910	A1	*	2/2005	Duty	.....	A45C 3/04 150/128
2010/0159096	A1		6/2010	Sam		
2010/0284631	A1		11/2010	Lee		
2018/0140064	A1		5/2018	Collins		
2019/0274404	A1		9/2019	Riley		

(56) **References Cited**

U.S. PATENT DOCUMENTS

2,575,191	A	*	11/1951	Seipp	.....	F25D 3/08 383/110
3,053,005	A		9/1962	Byers		
D223,315	S	*	4/1972	Koerber	.....	D3/303
4,011,898	A		3/1977	Hubbard		
4,156,446	A		5/1979	Nathan		
4,988,216	A		1/1991	Lyman		
D323,065	S	*	1/1992	Stricklin	.....	D19/83
5,618,110	A		4/1997	Sullivan		
5,653,337	A		8/1997	Cirigliano		
D383,903	S	*	9/1997	Kopel	.....	D3/233
D410,144	S	*	5/1999	Kay	.....	D3/232
D420,217	S		2/2000	Mc Whorter		
D441,529	S	*	5/2001	Guyon	.....	D3/246
6,564,838	B1		5/2003	Cruickshank		
D527,895	S	*	9/2006	Holder	.....	D3/226
D532,601	S	*	11/2006	Siegal	.....	D3/205
7,160,028	B1		1/2007	Linday		
D577,909	S	*	10/2008	Kamiya	.....	D3/233
D582,151	S	*	12/2008	Gonzalez	.....	D3/232
D624,311	S	*	9/2010	Krakoff	.....	D3/232
D631,654	S	*	2/2011	Lizhu	.....	D3/234
D649,784	S		12/2011	Terrell		
D690,101	S		9/2013	Matthews		
D695,010	S	*	12/2013	Schinasi	.....	D3/232
9,516,935	B2		12/2016	Rorie		
D793,084	S	*	8/2017	Blanc	.....	D3/319
D794,951	S		8/2017	Gavriel et al.		

FOREIGN PATENT DOCUMENTS

JP	D1451748	*	9/2012
JP	D1714004	*	5/2022

OTHER PUBLICATIONS

ReJean Dual Shaded Denim Tote, available at lbb.in, earliest customer review date Feb. 28, 2020 [online], site visited Mar. 21, 2023, available from the internet URL: <https://lbb.in/shop/product/dual-shaded-denim-tote> (Year: 2020).\*

Gifts for Her Mothers Day denim bag, available at etsy.com, earliest date available Nov. 29, 2022 [online], site visited Mar. 21, 2023, available from the internet URL: <https://www.etsy.com/listing/837923984/gifts-for-her-mothers-day-denim-bag> (Year: 2022).\*

Floriana Genuine Leather Purse, available at amazon.com, earliest date available Jul. 15, 2022 [online], site visited Mar. 21, 2023, available from the internet URL: <https://www.amazon.com/FLORIANA-Genuine-Leather-Womens-Shoulder/dp/B0B6QG6Z1Y> (Year: 2022).\*

PS X P448 Tote, available at projectsustainability.com, date not available [online], site visited Mar. 23, 2023, available from the internet URL: <https://www.projectsustainability.com/products/psxp448tote> (Year: 2023).\*

\* cited by examiner

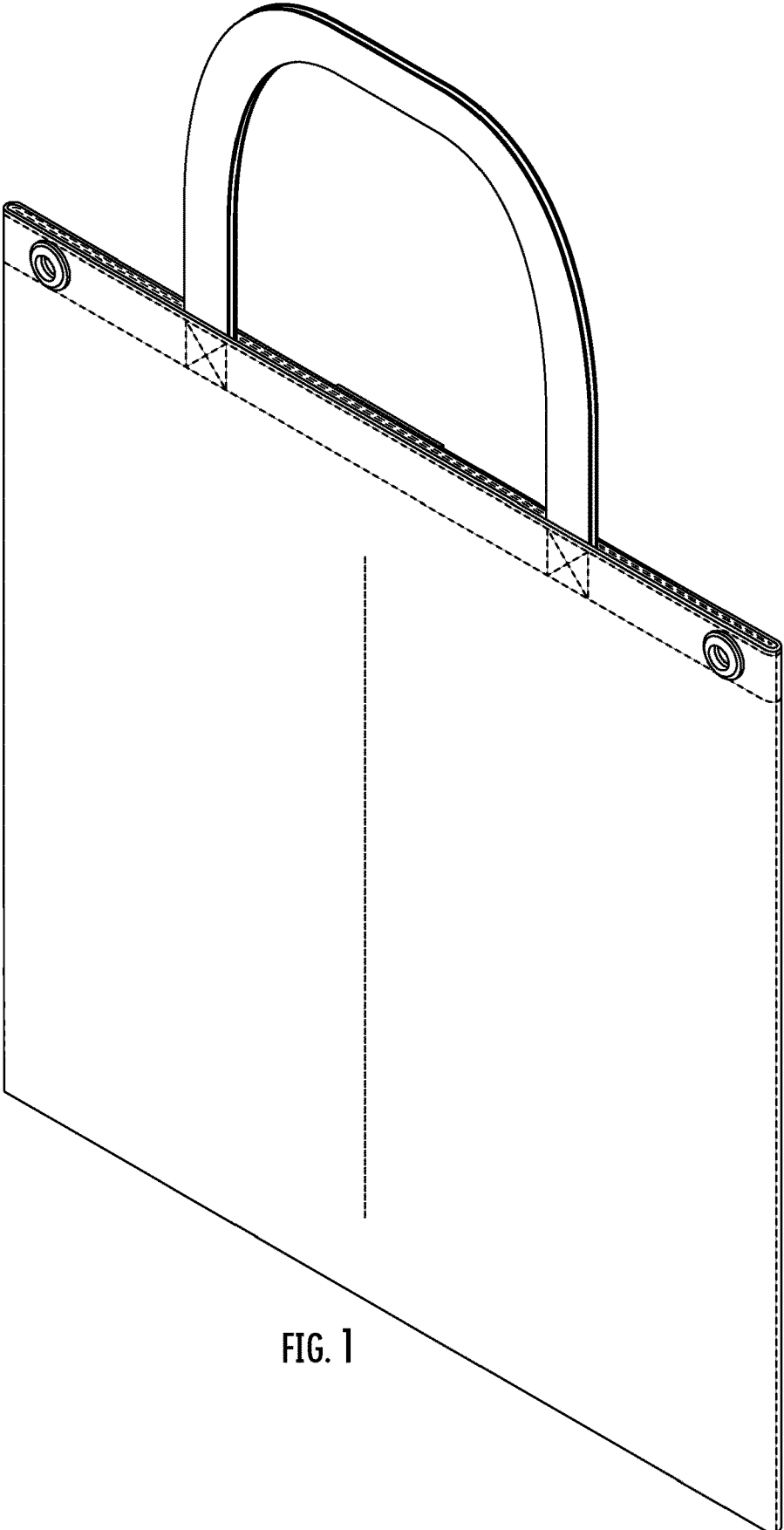


FIG. 1

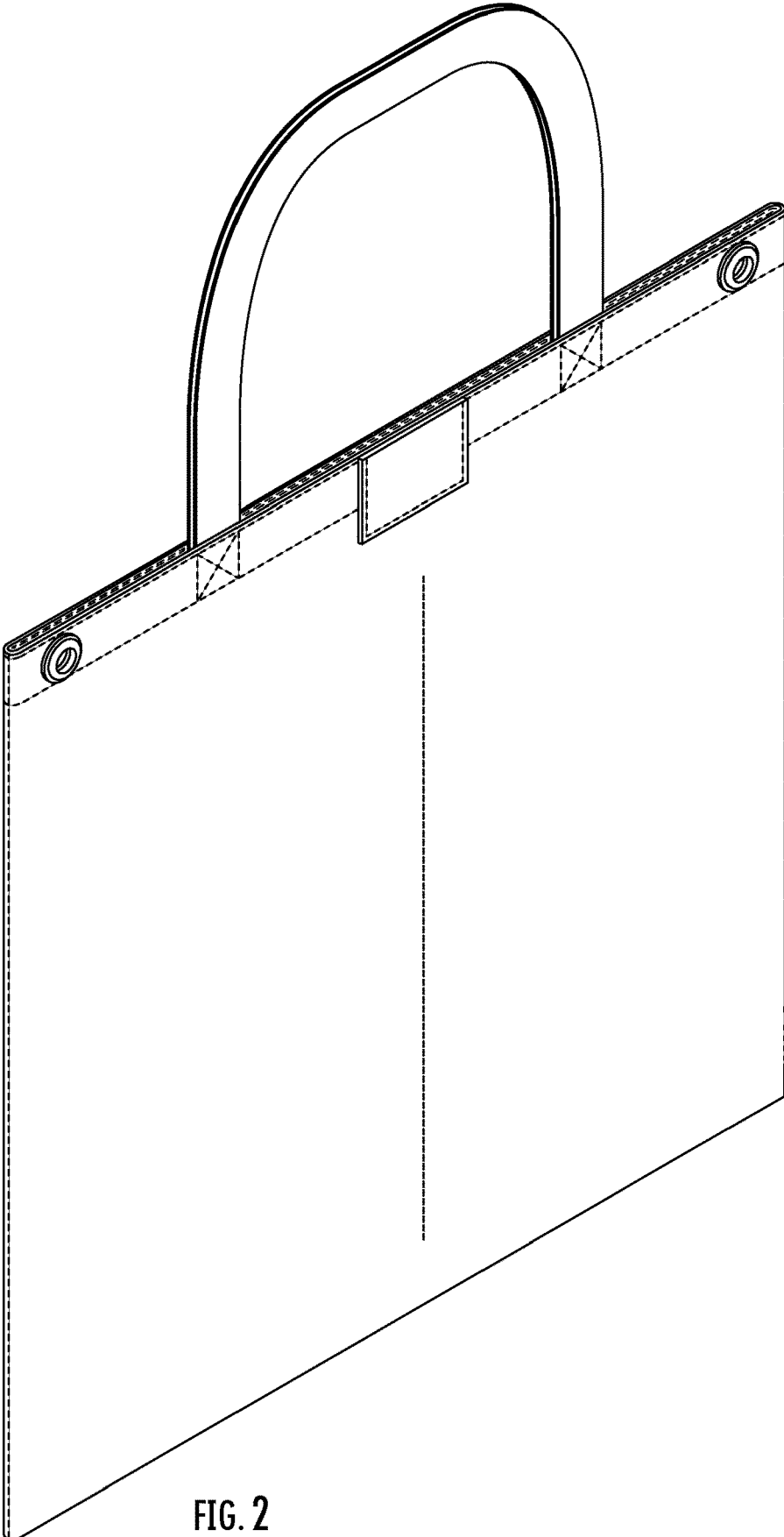


FIG. 2

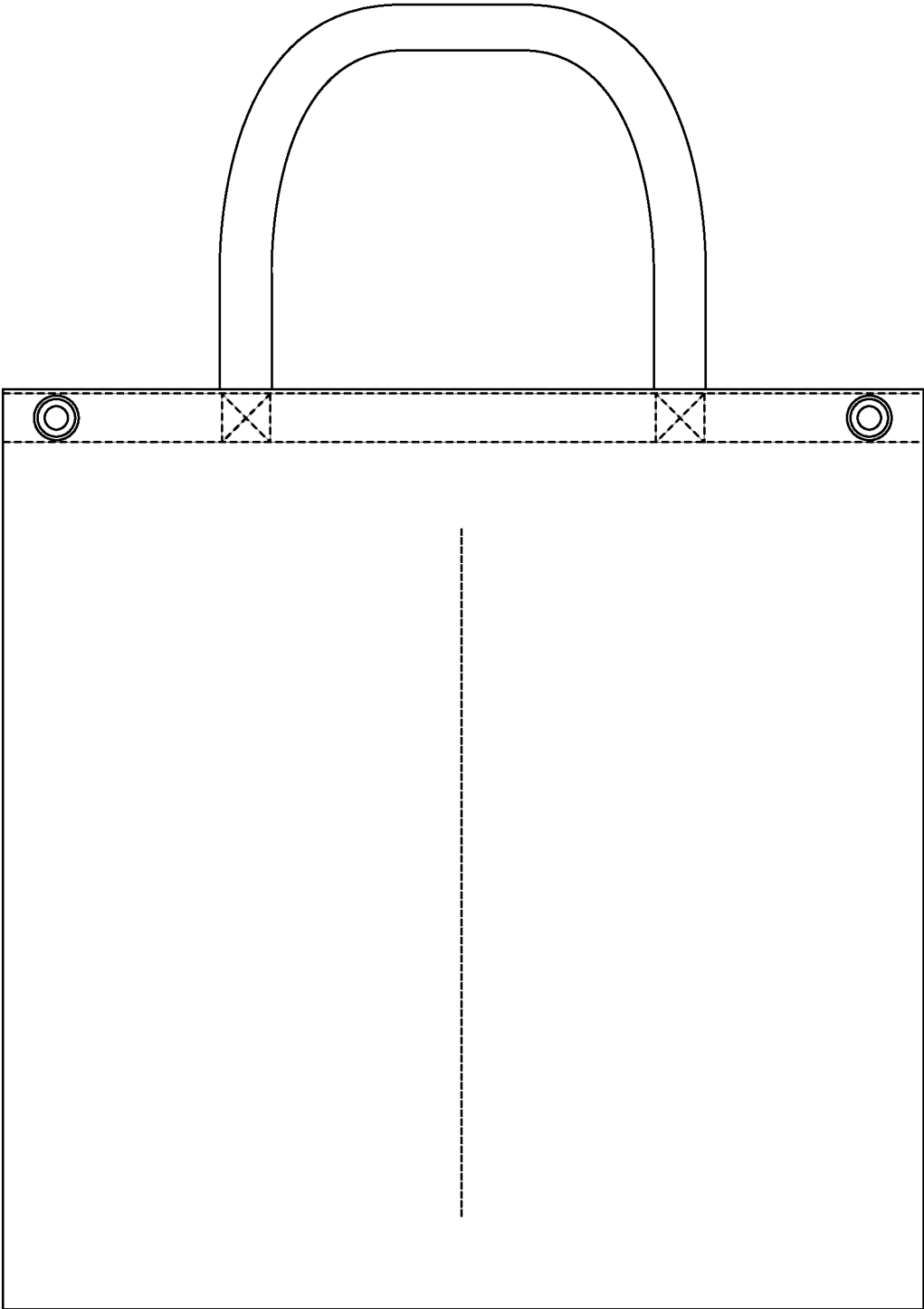


FIG. 3

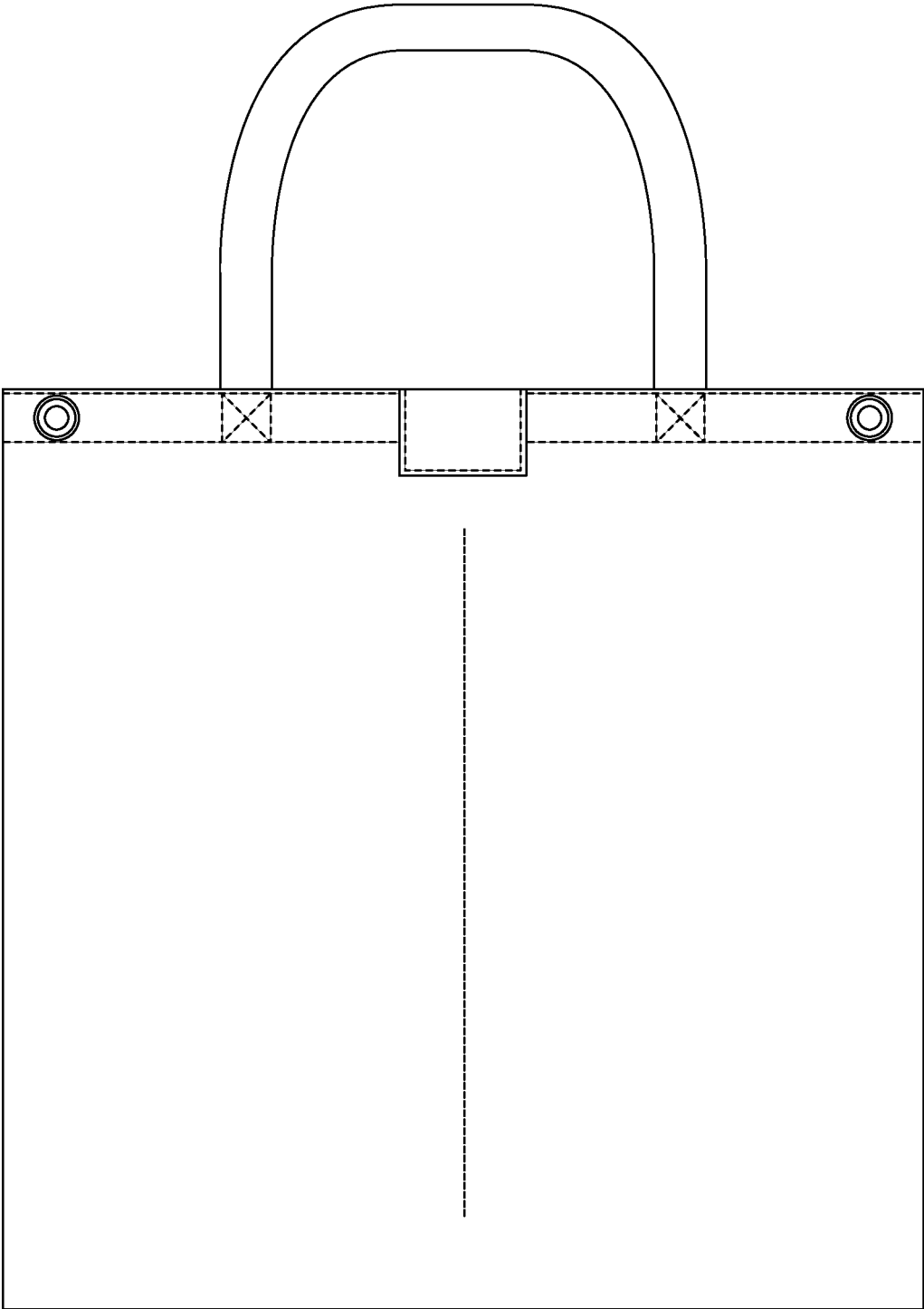


FIG. 4



FIG. 5



FIG. 6



FIG. 7

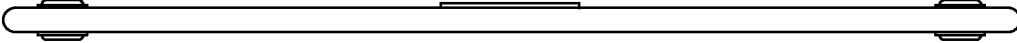


FIG. 8