



US00D732371S

(12) **United States Design Patent**  
**Schneider**

(10) **Patent No.:** **US D732,371 S**

(45) **Date of Patent:** **\*\* Jun. 23, 2015**

- (54) **PADLOCK JACKET**
- (71) Applicant: **KWIKSET CORPORATION**, Lake Forest, CA (US)
- (72) Inventor: **Elliot Barlow Schneider**, Foothill Ranch, CA (US)
- (73) Assignee: **Kwikset Corporation**, Lake Forest, CA (US)

4,317,344	A *	3/1982	Barnard	70/55
5,033,279	A *	7/1991	Lebrecht	70/55
5,761,935	A *	6/1998	Adelmeyer	70/55
6,705,134	B2 *	3/2004	Miranda	70/52
D537,703	S *	3/2007	Kearns et al.	D8/334
7,272,830	B2 *	9/2007	de Jong	717/157
7,325,425	B1 *	2/2008	Miller	70/52
7,380,425	B2 *	6/2008	Elliott et al.	70/56
D587,987	S *	3/2009	Zorc et al.	D8/343
D588,437	S *	3/2009	Zorc et al.	D8/343
D595,112	S *	6/2009	Zorc et al.	D8/343

(\*\*) Term: **14 Years**

\* cited by examiner

(21) Appl. No.: **29/488,293**

Primary Examiner — Prabhakar Deshmukh

(22) Filed: **Apr. 17, 2014**

(74) Attorney, Agent, or Firm — Barnes & Thornburg LLP

(51) **LOC (10) Cl.** ..... **08-07**

(52) **U.S. Cl.**

USPC ..... **D8/334; D8/343**

(58) **Field of Classification Search**

USPC ..... D8/330-347; 70/14, 20-28, 31, 32, 39,  
70/41, 52-56, 86, 314, 423, DIG. 43,  
70/DIG. 56, 38 A, DIG. 3, DIG. 4

CPC ..... E05B 67/08; E05B 67/00; E05B 67/02;  
E05B 2067/00; E05B 9/00; E05B 63/00;  
E05B 67/38

See application file for complete search history.

(56) **References Cited**

**U.S. PATENT DOCUMENTS**

3,863,468	A *	2/1975	Bach	70/50
4,226,100	A *	10/1980	Hampton et al.	70/51

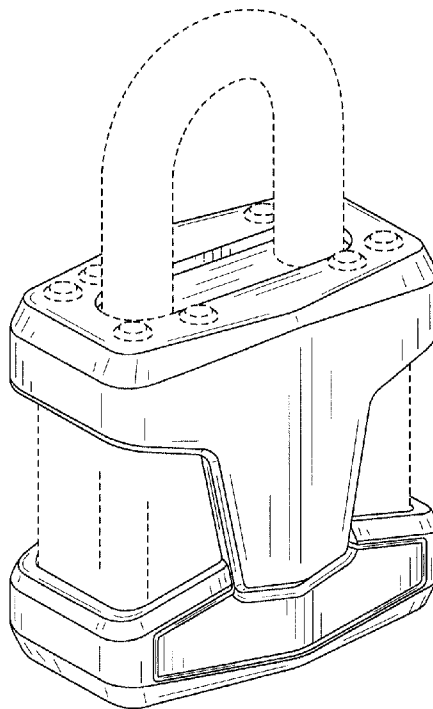
(57) **CLAIM**

The ornamental design for a padlock jacket, as shown and described.

**DESCRIPTION**

FIG. 1 is a front perspective view of a padlock jacket showing my new design;  
 FIG. 2 is a right side elevational view thereof;  
 FIG. 3 is a left side elevational view thereof;  
 FIG. 4 is a front elevational view thereof;  
 FIG. 5 is a rear elevational view thereof;  
 FIG. 6 is a top plan view thereof; and,  
 FIG. 7 is a bottom plan view thereof.  
 The broken lines illustrating portions of the design and form no part of the claimed design.

**1 Claim, 3 Drawing Sheets**



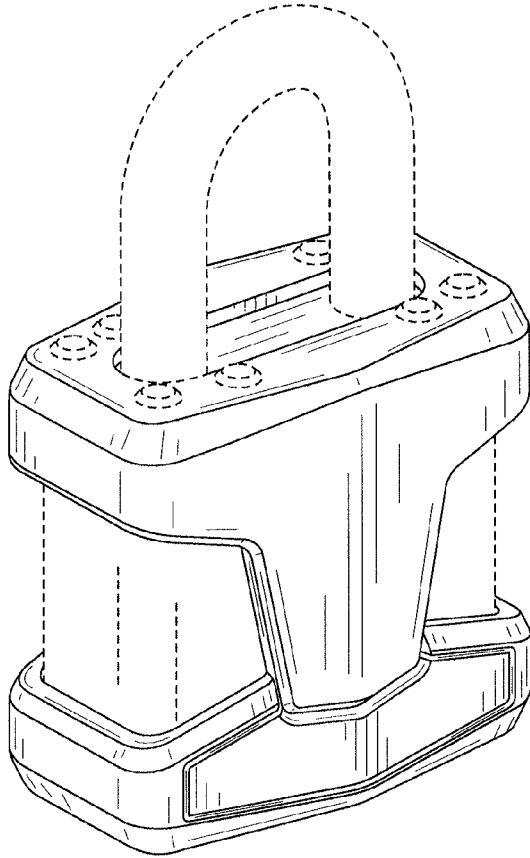


FIG. 1

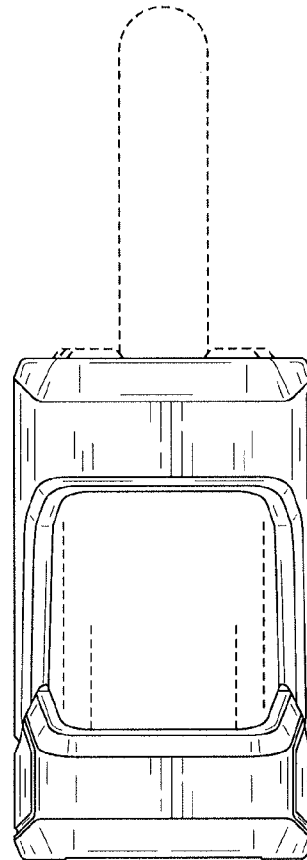
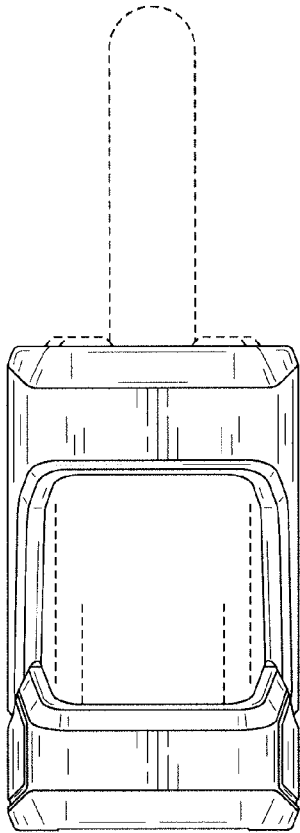
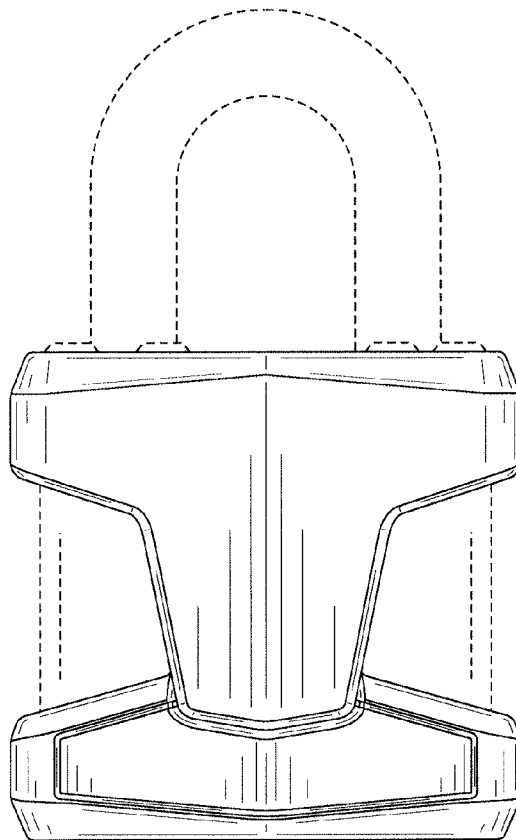


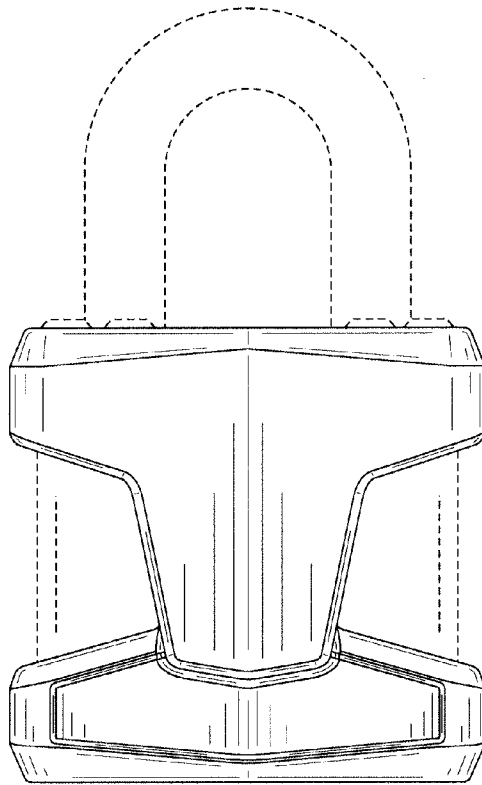
FIG. 2



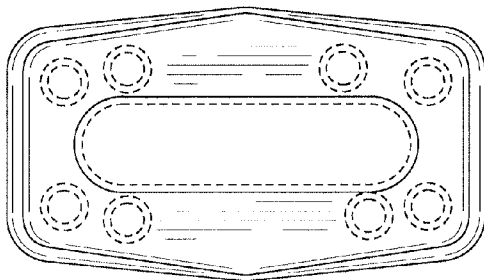
**FIG. 3**



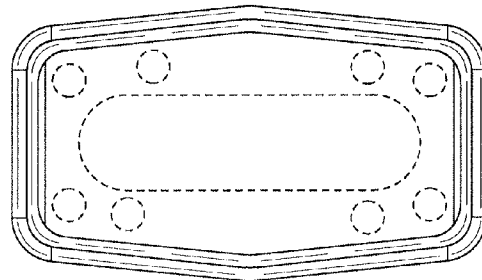
**FIG. 4**



**FIG. 5**



**FIG. 6**



**FIG. 7**