

(19) World Intellectual Property Organization
International Bureau



(43) International Publication Date
11 December 2003 (11.12.2003)

PCT

(10) International Publication Number
WO 2003/103161 A3

(51) International Patent Classification⁷: H04B 7/08, 1/20

(74) Agent: DUIJVESTIJN, Adrianus, J.; Philips Intellectual Property & Standards, c/o Prof. Holstlaan 6, NL-5656 AA Eindhoven (NL).

(21) International Application Number:
PCT/IB2003/002400

(22) International Filing Date: 27 May 2003 (27.05.2003)

(81) Designated States (national): AE, AG, AL, AM, AT, AU, AZ, BA, BB, BG, BR, BY, BZ, CA, CH, CN, CO, CR, CU, CZ, DE, DK, DM, DZ, EC, EE, ES, FI, GB, GD, GE, GH, GM, HR, HU, ID, IL, IN, IS, JP, KE, KG, KP, KR, KZ, LC, LK, LR, LS, LT, LU, LV, MA, MD, MG, MK, MN, MW, MX, MZ, NI, NO, NZ, OM, PH, PL, PT, RO, RU, SC, SD, SE, SG, SK, SL, TJ, TM, TN, TR, TT, TZ, UA, UG, US, UZ, VC, VN, YU, ZA, ZM, ZW.

(25) Filing Language: English

(26) Publication Language: English

(30) Priority Data:
02077137.4 30 May 2002 (30.05.2002) EP

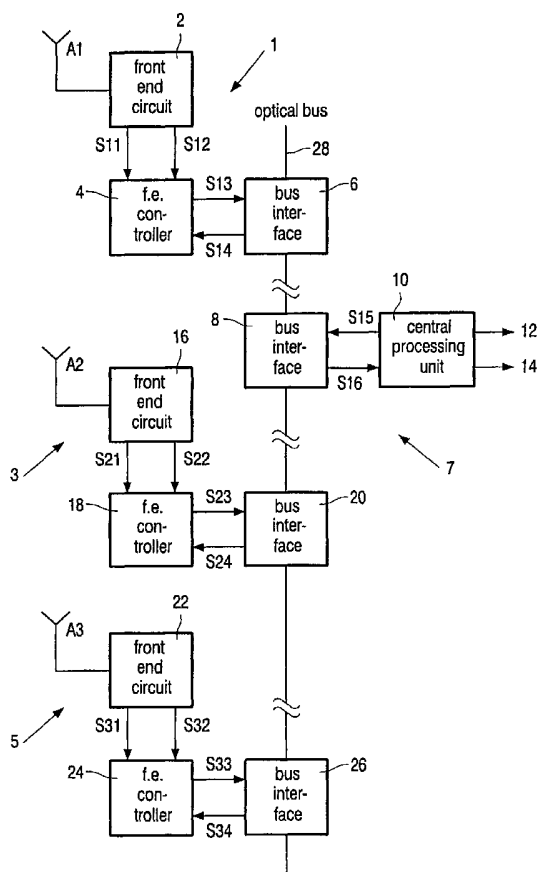
(71) Applicant (for all designated States except US): KONINKLIJKE PHILIPS ELECTRONICS N.V. [NL/NL]; Groenewoudseweg 1, NL-5621 BA Eindhoven (NL).

(84) Designated States (regional): ARIPO patent (GH, GM, KE, LS, MW, MZ, SD, SL, SZ, TZ, UG, ZM, ZW), Eurasian patent (AM, AZ, BY, KG, KZ, MD, RU, TJ, TM), European patent (AT, BE, BG, CH, CY, CZ, DE, DK, EE, ES, FI, FR, GB, GR, HU, IE, IT, LU, MC, NL, PT, RO, SE, SI, SK, TR), OAPI patent (BF, BJ, CF, CG, CI, CM, GA, GN, GQ, GW, ML, MR, NE, SN, TD, TG).

(72) Inventor; and
(75) Inventor/Applicant (for US only): WETZKER, Gunnar [DE/NL]; c/o Prof. Holstlaan 6, NL-5656 AA Eindhoven (NL).

[Continued on next page]

(54) Title: RADIO FREQUENCY RECEIVING AND PROCESSING SYSTEM



(57) Abstract: The invention relates to a system and method for receiving radio frequency signals. The system comprises a plurality of front-end receiving units, a processing unit, and a bus system coupling the front-end receiving units to the processing unit. The front-end receiving units are coupled to antennas for receiving radio frequency signals and are arranged for demodulating and digitizing the received radio frequency signals to digitized demodulated signals. Furthermore the front-end receiving units are arranged for transmitting the digitized demodulated signals to the processing unit. The processing unit is arranged to generate an output signal either in dependence on a combination of the digitized demodulated signals or in dependence on a selected digitized demodulated signal. Preferably the digitized demodulated signal with the best quality signal is selected. For this purpose the front-end receiving units are arranged to generate the quality signal in dependence of the received RF-signal, while the processing unit is arranged to select the front-end receiving unit, providing the quality signal representing the radio-frequency signal with the best quality, to transmit the digitized intermediate signal.

WO 2003/103161 A3



Published:

— *with international search report*

(88) Date of publication of the international search report:

25 March 2004

For two-letter codes and other abbreviations, refer to the "Guidance Notes on Codes and Abbreviations" appearing at the beginning of each regular issue of the PCT Gazette.

INTERNATIONAL SEARCH REPORT

International Application No
PCT/IB 03/02400

A. CLASSIFICATION OF SUBJECT MATTER IPC 7 H04B7/08 H04B1/20		
According to International Patent Classification (IPC) or to both national classification and IPC		
B. FIELDS SEARCHED		
Minimum documentation searched (classification system followed by classification symbols) IPC 7 H04B		
Documentation searched other than minimum documentation to the extent that such documents are included in the fields searched		
Electronic data base consulted during the international search (name of data base and, where practical, search terms used) EPO-Internal, WPI Data, PAJ		
C. DOCUMENTS CONSIDERED TO BE RELEVANT		
Category °	Citation of document, with indication, where appropriate, of the relevant passages	Relevant to claim No.
X	US 5 644 599 A (HESS GARRY CARSON) 1 July 1997 (1997-07-01) the whole document ---	1-13
X	US 5 402 451 A (KAEWELL JR JOHN D ET AL) 28 March 1995 (1995-03-28) the whole document ---	1-13
X	EP 1 107 475 A (TEXAS INSTRUMENTS INC) 13 June 2001 (2001-06-13) figure 3A page 4, line 57 -page 6, line 33 ---	1-13
A	EP 0 952 674 A (HARADA IND CO LTD) 27 October 1999 (1999-10-27) cited in the application the whole document -----	1-13
<input type="checkbox"/> Further documents are listed in the continuation of box C.		
<input checked="" type="checkbox"/> Patent family members are listed in annex.		
° Special categories of cited documents :		
A document defining the general state of the art which is not considered to be of particular relevance	*T* later document published after the international filing date or priority date and not in conflict with the application but cited to understand the principle or theory underlying the invention	
E earlier document but published on or after the international filing date	*X* document of particular relevance; the claimed invention cannot be considered novel or cannot be considered to involve an inventive step when the document is taken alone	
L document which may throw doubts on priority claim(s) or which is cited to establish the publication date of another citation or other special reason (as specified)	*Y* document of particular relevance; the claimed invention cannot be considered to involve an inventive step when the document is combined with one or more other such documents, such combination being obvious to a person skilled in the art.	
O document referring to an oral disclosure, use, exhibition or other means	*&* document member of the same patent family	
P document published prior to the international filing date but later than the priority date claimed		
Date of the actual completion of the international search <div style="text-align: center; font-weight: bold;">12 November 2003</div>	Date of mailing of the international search report <div style="text-align: center; font-weight: bold;">25/11/2003</div>	
Name and mailing address of the ISA European Patent Office, P.B. 5818 Patentlaan 2 NL - 2280 HV Rijswijk Tel. (+31-70) 340-2040, Tx. 31 651 epo nl, Fax: (+31-70) 340-3016	Authorized officer <div style="text-align: center; font-weight: bold;">Lindhardt, U</div>	

INTERNATIONAL SEARCH REPORT

Information on patent family members

International Application No

PCT/IB 03/02400

Patent document cited in search report	Publication date	Patent family member(s)	Publication date
US 5644599	A	01-07-1997	NONE
US 5402451	A	28-03-1995	NONE
EP 1107475	A	13-06-2001	EP 1107475 A2 13-06-2001 JP 2001223622 A 17-08-2001
EP 0952674	A	27-10-1999	JP 11301377 A 02-11-1999 EP 0952674 A2 27-10-1999 US 6321077 B1 20-11-2001