



US00D941024S

(12) **United States Design Patent** (10) **Patent No.:** **US D941,024 S**  
**Grifferos Reyes** (45) **Date of Patent:** **\*\* Jan. 18, 2022**

(54) **TRANSPORT STORAGE BOX AND LID IN COMBINATION**

FOREIGN PATENT DOCUMENTS

(71) Applicant: **ENVASES CHILOE S.A.**, Puerto Varas (CL)

CN 306344617 \* 2/2021  
RU 00090257 \* 10/2014

(72) Inventor: **Pablo Ignacio Grifferos Reyes**, Santiago (CL)

*Primary Examiner* — Lilyana Bekic  
*Assistant Examiner* — Mary Shannon Malley  
(74) *Attorney, Agent, or Firm* — Ulmer & Berne LLP

(73) Assignee: **Envases Chiloe S.A.**, Puerto Varas (CL)

(57) **CLAIM**

(\*\*) Term: **15 Years**

The ornamental design for a transport storage box and lid in combination, as shown and described.

(21) Appl. No.: **29/676,938**

**DESCRIPTION**

(22) Filed: **Jan. 16, 2019**

(30) **Foreign Application Priority Data**

Jul. 19, 2018 (CL) ..... 01959-2018

(51) **LOC (13) Cl.** ..... **03-01**

(52) **U.S. Cl.** ..... **D3/302**  
USPC .....

(58) **Field of Classification Search**

USPC ..... D3/201, 203.1, 203.2, 203.3, 203.4, 262, D3/272-274, 294, 295, 298, 302, 901, D3/903, 905; D6/602, 605, 629  
CPC ..... B65D 21/00; B65D 21/0204; B65D 21/0233; A47J 47/02; A47J 47/10  
See application file for complete search history.

FIG. 1 is a top perspective view of the box portion of the transport storage box and lid in combination, shown without the lid for ease of illustration;  
FIG. 2 is an upper plan view of the box portion of the transport storage box and lid in combination of FIG. 1;  
FIG. 3 is a bottom plan view of the portion of the transport storage box and lid in combination of FIG. 1;  
FIG. 4 is a front view of the box portion of the transport storage box and lid in combination of FIG. 1;  
FIG. 5 is a side view of the box portion of the transport storage box and lid in combination of FIG. 1;  
FIG. 6 is a bottom perspective view of the lid portion of the transport storage box and lid in combination, shown without the box for ease of illustration;  
FIG. 7 is an upper plan view of the lid portion of the transport storage box and lid in combination of FIG. 6;  
FIG. 8 is a bottom plan view of the lid portion of the transport storage box and lid in combination of FIG. 6;  
FIG. 9 is a side view of the of the lid portion of the transport storage box and lid in combination of FIG. 6;  
FIG. 10 is a top perspective view of the transport storage box and lid in combination, including the box portion of FIG. 1 and the lid portion of FIG. 6; and,  
FIG. 11 is a bottom perspective view of the transport storage box and lid in combination of FIG. 10.

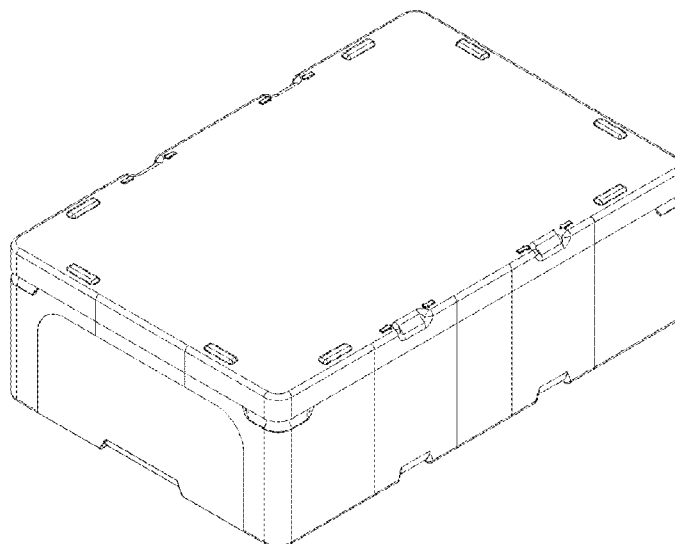
(56) **References Cited**

U.S. PATENT DOCUMENTS

D382,403 S \* 8/1997 Koskinen ..... D3/307  
D597,383 S \* 8/2009 Masterton ..... D3/272  
D643,629 S \* 8/2011 Sofy ..... D3/302  
D744,240 S \* 12/2015 Reinhart ..... D3/318  
D748,916 S \* 2/2016 Nilsson ..... D3/302  
D821,749 S \* 7/2018 Nilsson ..... D3/302  
D846,875 S \* 4/2019 Nelson ..... D3/282

(Continued)

**1 Claim, 11 Drawing Sheets**



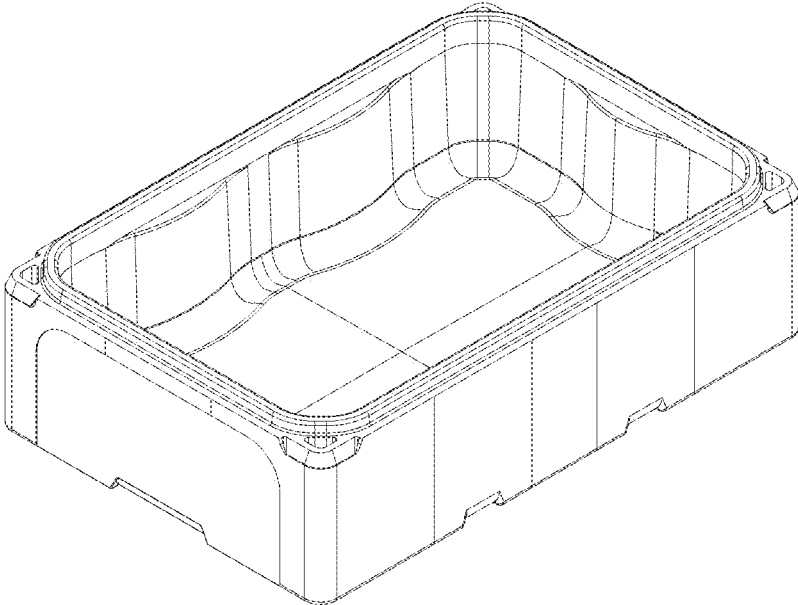
(56)

**References Cited**

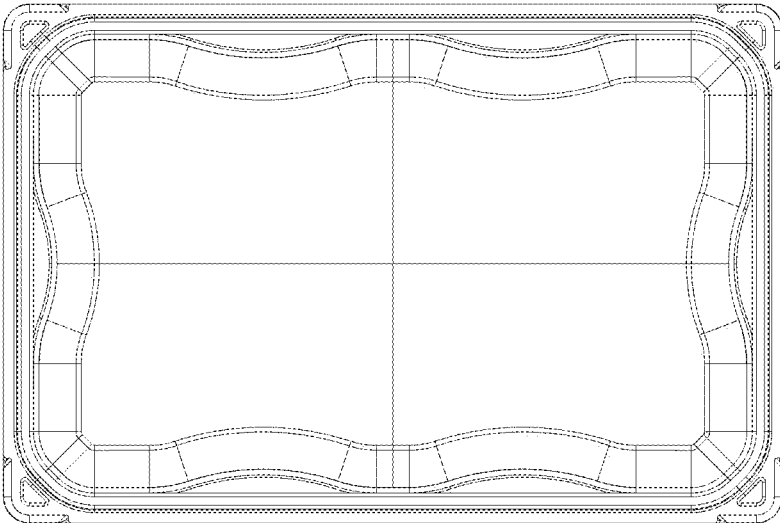
U.S. PATENT DOCUMENTS

D895,282	S *	9/2020	Plattner .....	D3/272
D901,254	S *	11/2020	Beavis .....	D7/605
D925,219	S *	7/2021	Eskridge .....	D3/282
2015/0001120	A1 *	1/2015	Gaskell .....	B65D 21/0204 206/504
2019/0023464	A1 *	1/2019	Ogilvie .....	A47J 47/10
2021/0031964	A1 *	2/2021	Reinhart .....	B65D 1/44
2021/0253292	A1 *	8/2021	Grifferos Reyes .....	B65D 43/00

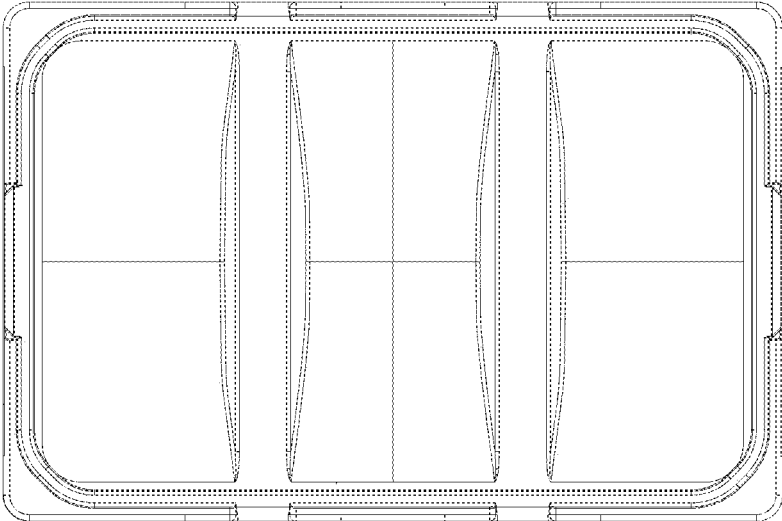
\* cited by examiner



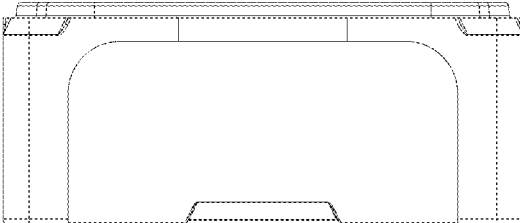
**Fig. 1**



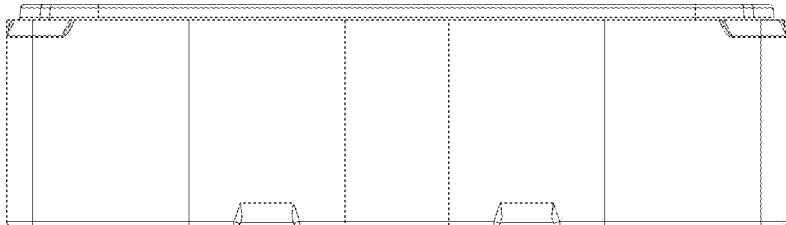
**Fig. 2**



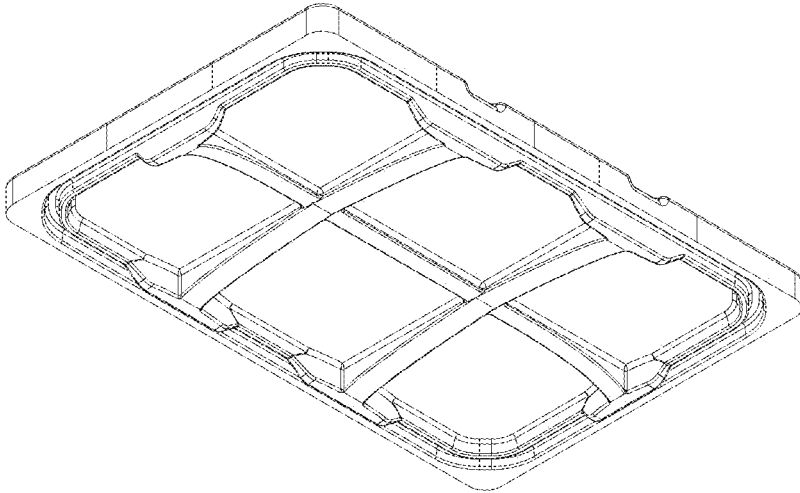
**Fig. 3**



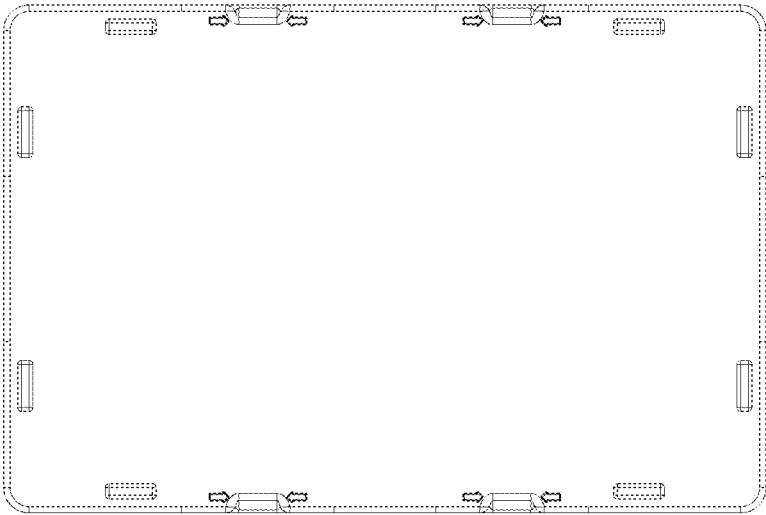
*Fig. 4*



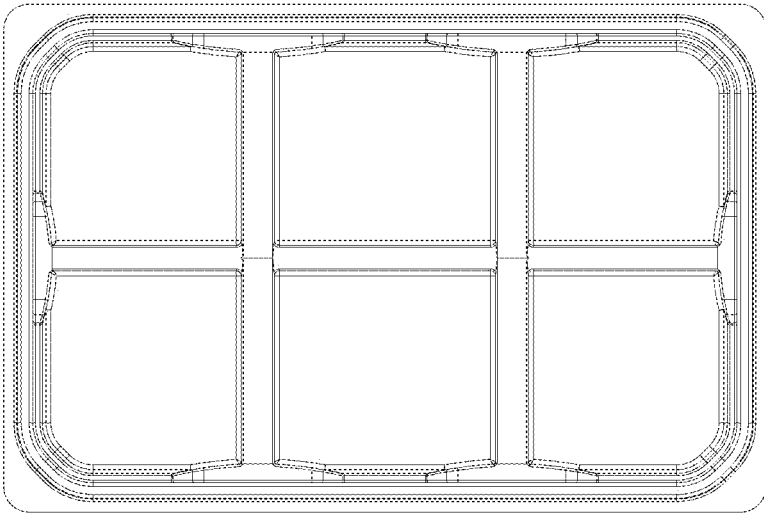
*Fig. 5*



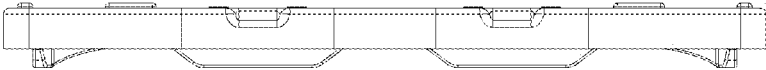
*Fig. 6*



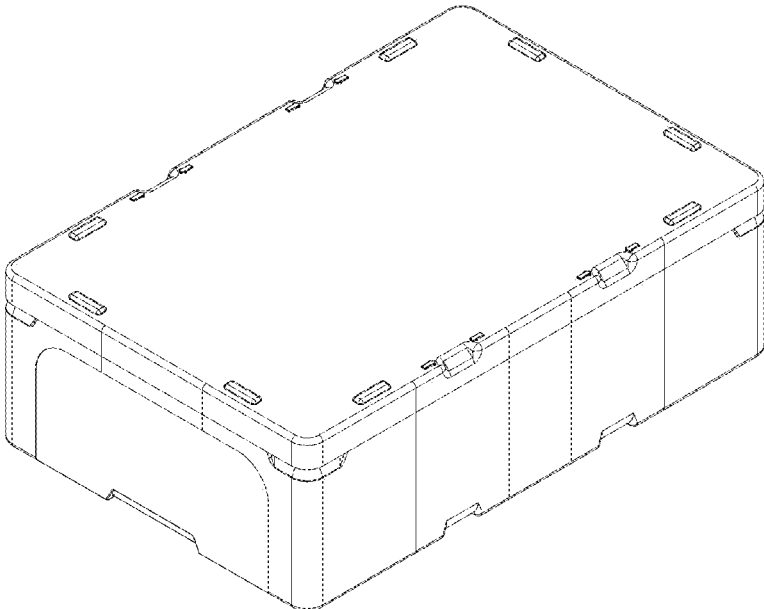
*Fig. 7*



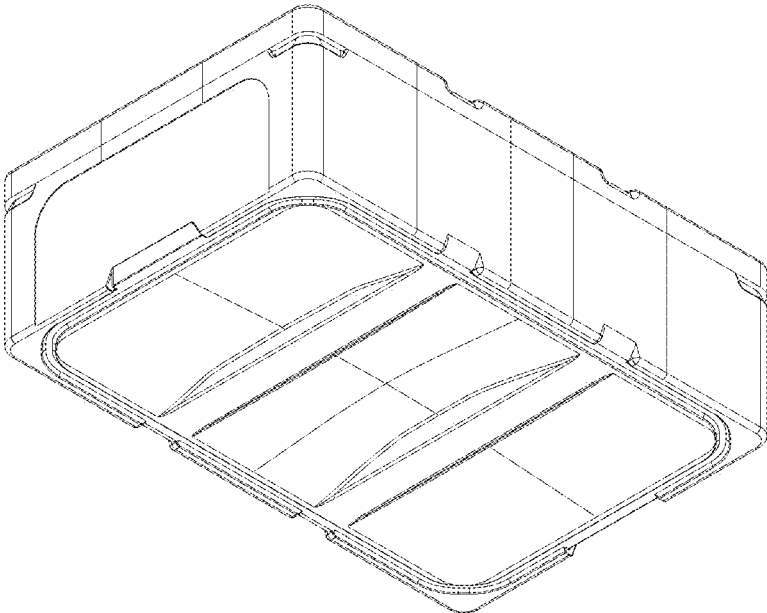
*Fig. 8*



*Fig. 9*



**Fig. 10**



*Fig. 11*