



US00D573889S

(12) **United States Design Patent**
Short et al.

(10) **Patent No.:** **US D573,889 S**

(45) **Date of Patent:** **** Jul. 29, 2008**

(54) **CONTAINER**

(75) Inventors: **Martin Short**, Jersey City, NJ (US);
Robert Croft, Jersey City, NJ (US)

(73) Assignee: **Purdue Pharma L.P.**, Stamford, CT (US)

(**) Term: **14 Years**

(21) Appl. No.: **29/281,813**

(22) Filed: **Jul. 2, 2007**

(51) **LOC (8) Cl.** **09-01**

(52) **U.S. Cl.** **D9/529; D9/417; D9/420**

(58) **Field of Classification Search** D9/520,
D9/529, 572-575, 416-417, 420, 422; 215/382,
215/400; 220/669, 675; D3/203.2, 294;
D7/629

See application file for complete search history.

(56) **References Cited**

U.S. PATENT DOCUMENTS

D218,281 S *	8/1970	Diener	D9/572 X
D252,558 S *	8/1979	Beck	D9/418
D329,381 S *	9/1992	Klapwald	D9/529
5,482,172 A *	1/1996	Braddock	222/478
D429,650 S *	8/2000	LePage	D9/572
D434,671 S *	12/2000	LePage	D9/572
D438,066 S *	2/2001	Beach et al.	D7/629
6,257,452 B1 *	7/2001	Allen	222/153.06
D466,012 S *	11/2002	Baker	D9/420
D472,772 S *	4/2003	Noble et al.	D7/629
D485,184 S *	1/2004	Hay et al.	D9/529 X
6,763,945 B2	7/2004	Baker et al.		
6,789,677 B2	9/2004	Maietta		
D509,732 S *	9/2005	Staples	D9/423
D513,978 S *	1/2006	Isono et al.	D9/424
7,093,736 B2	8/2006	Maietta et al.		
D537,338 S *	2/2007	Jackson	D9/416
D540,161 S *	4/2007	Terrasi	D9/417
D540,162 S *	4/2007	Chin et al.	D9/417
D545,186 S *	6/2007	Liebe et al.	D9/420
D549,573 S *	8/2007	Liebe et al.	D9/420

D557,134 S *	12/2007	Wolpert et al.	D9/529 X
D563,234 S *	3/2008	Moreno	D9/572
2005/0029153 A1 *	2/2005	Devine	206/525

* cited by examiner

Primary Examiner—Carol Rademaker
(74) *Attorney, Agent, or Firm*—Sterne, Kessler, Goldstein & Fox P.L.L.C.

(57) **CLAIM**

The ornamental design for a container, as shown and described.

DESCRIPTION

FIG. 1 is a top, front, and right side perspective view of a first embodiment of a container showing a new design;

FIG. 2 is a right side elevational view thereof;

FIG. 3 is a left side elevational view thereof;

FIG. 4 is a front elevational view thereof;

FIG. 5 is a rear elevational view thereof;

FIG. 6 is a top plan view thereof;

FIG. 7 is a bottom plan view thereof;

FIG. 8 is a right side elevational view of the container of FIG. 1 shown in an opened condition;

FIG. 9 is a top, front, and right side perspective view of a first embodiment of a container showing a new design;

FIG. 10 is a right side elevational view thereof;

FIG. 11 is a left side elevational view thereof;

FIG. 12 is a front elevational view thereof;

FIG. 13 is a rear elevational view thereof;

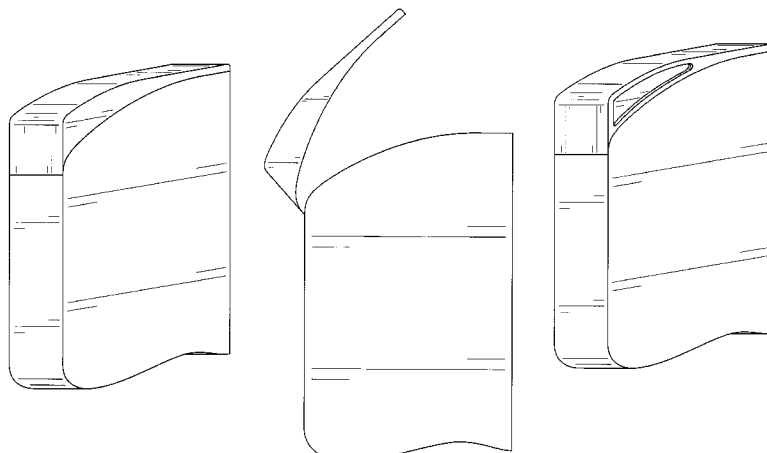
FIG. 14 is a top plan view thereof;

FIG. 15 is a bottom plan view thereof; and,

FIG. 16 is a right side elevational view of the container of FIG. 9 shown in an opened condition.

Please note that contrast and texture form no part of the claimed design. The inventors anticipate that the invention can be any part, portion, element, or combination of elements of the depicted container.

1 Claim, 12 Drawing Sheets



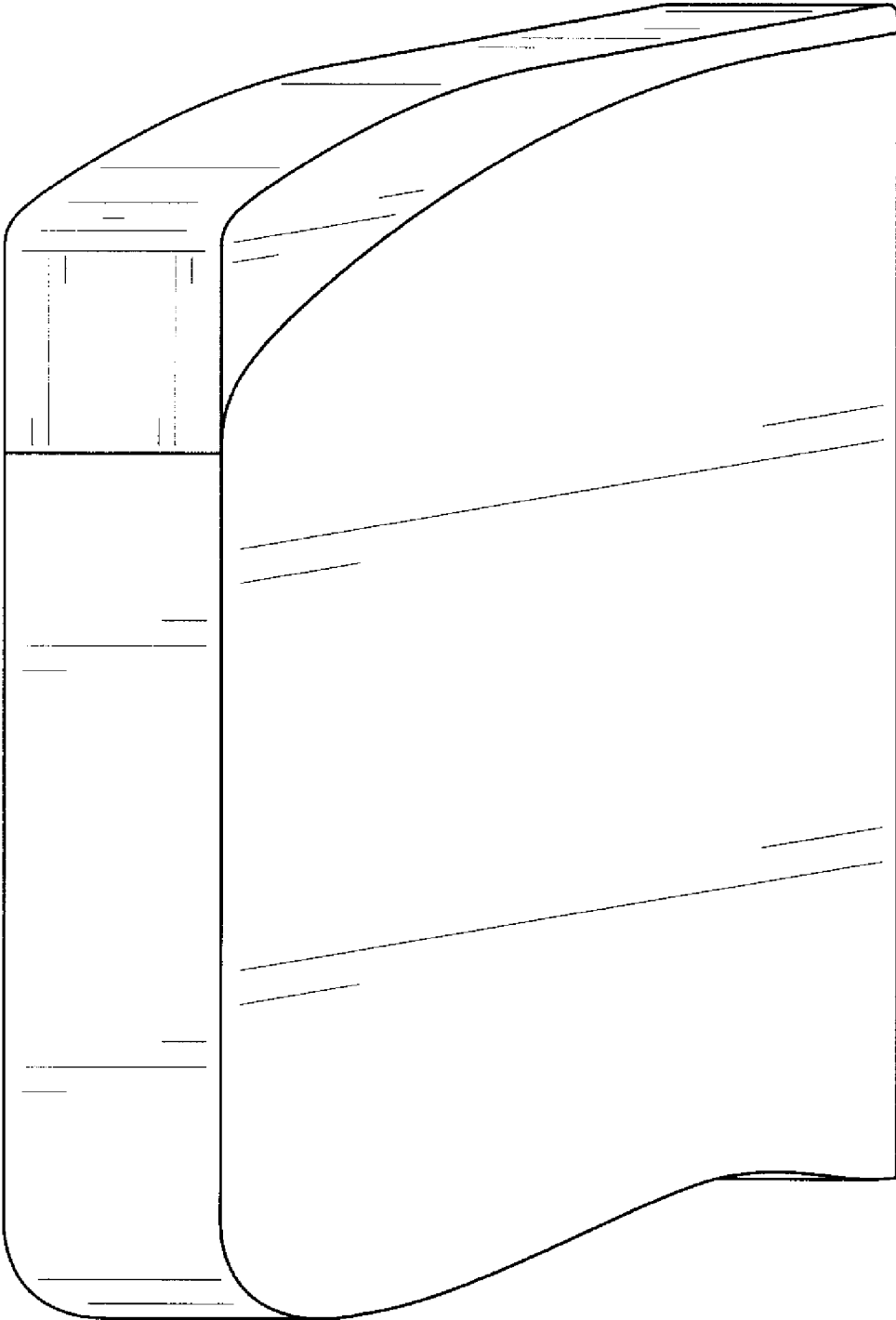


FIG. 1

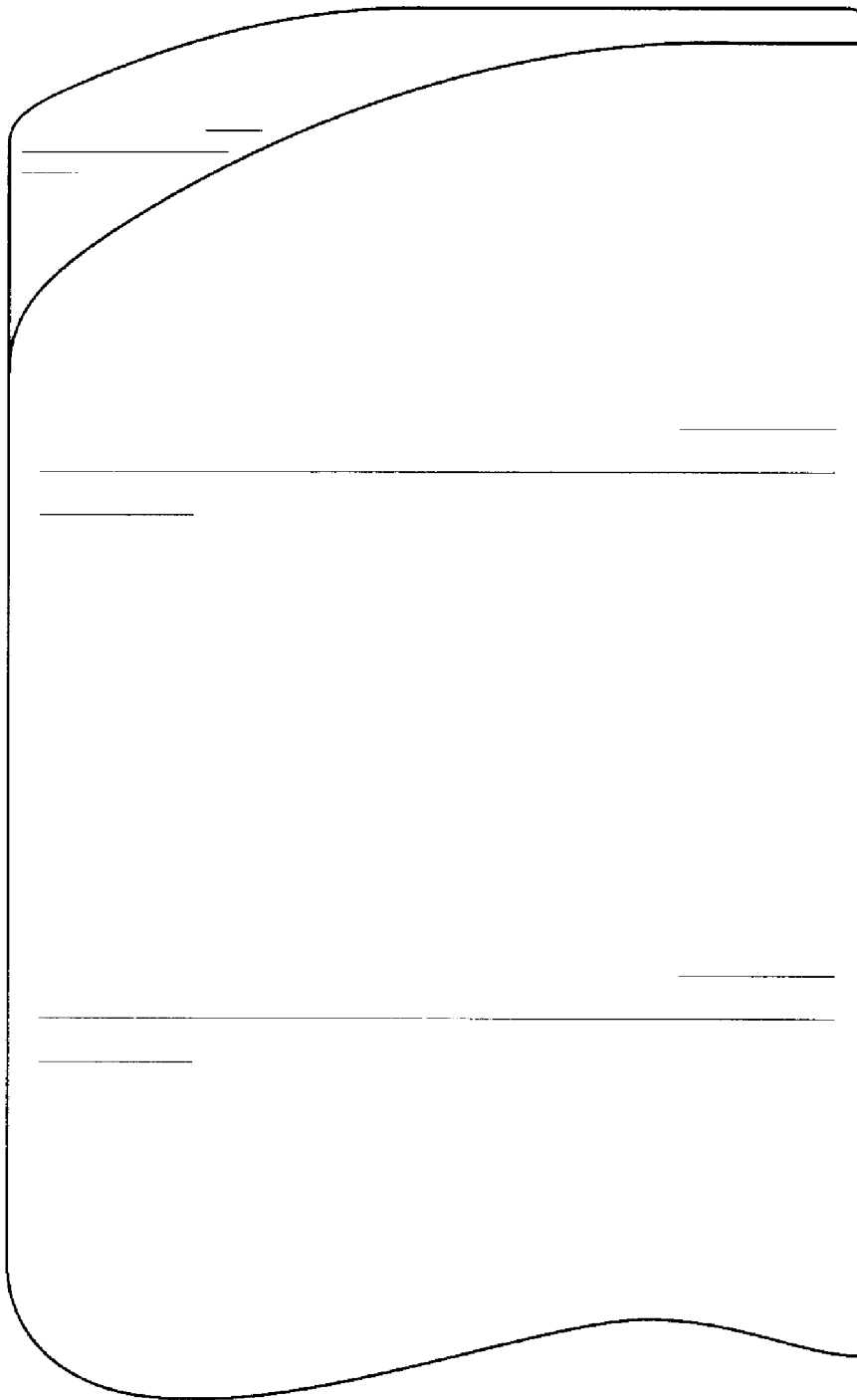


FIG. 2

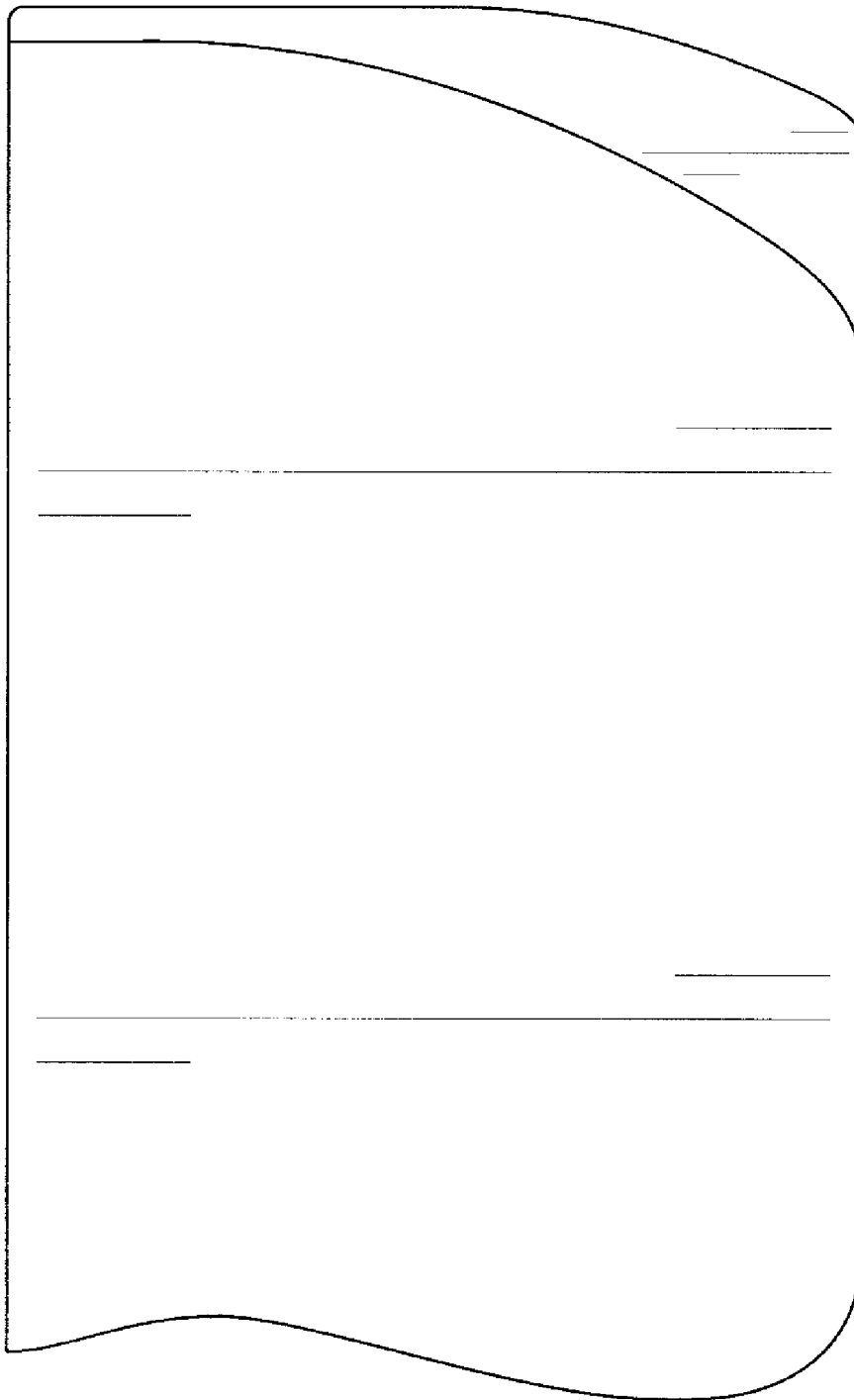


FIG. 3

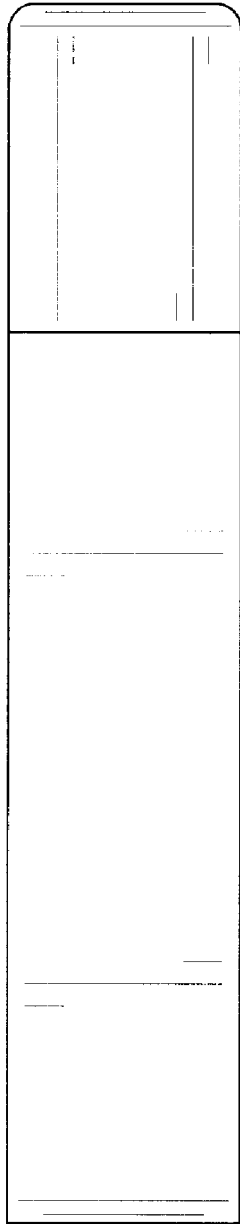


FIG. 4

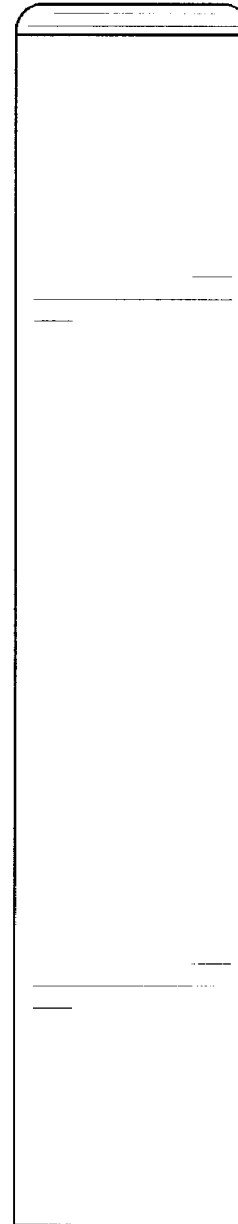


FIG. 5

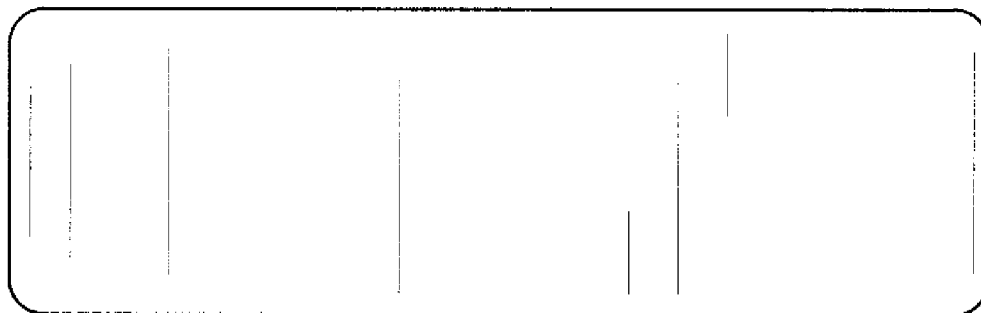


FIG. 6

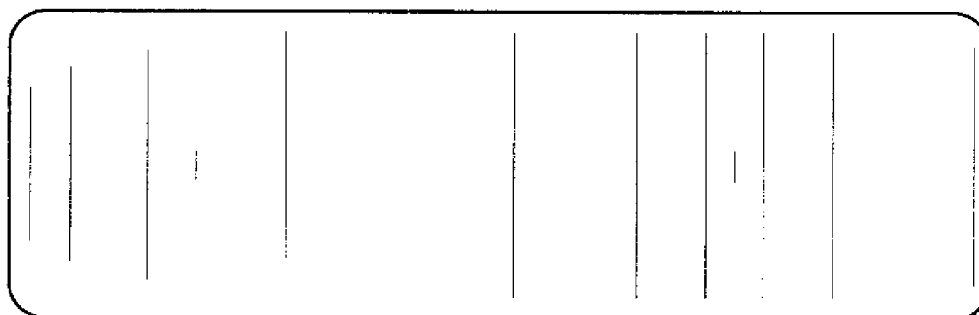


FIG. 7

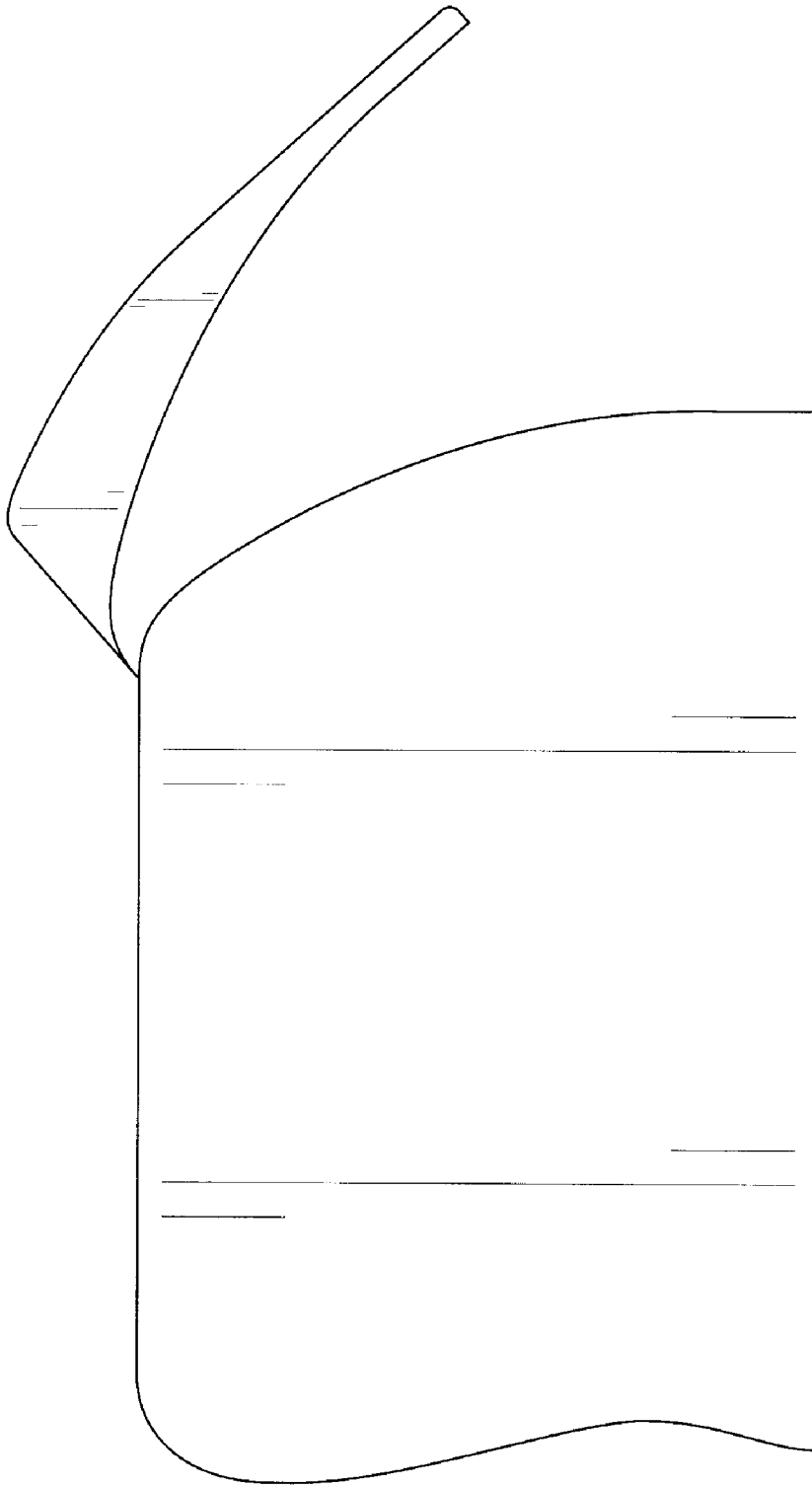


FIG. 8

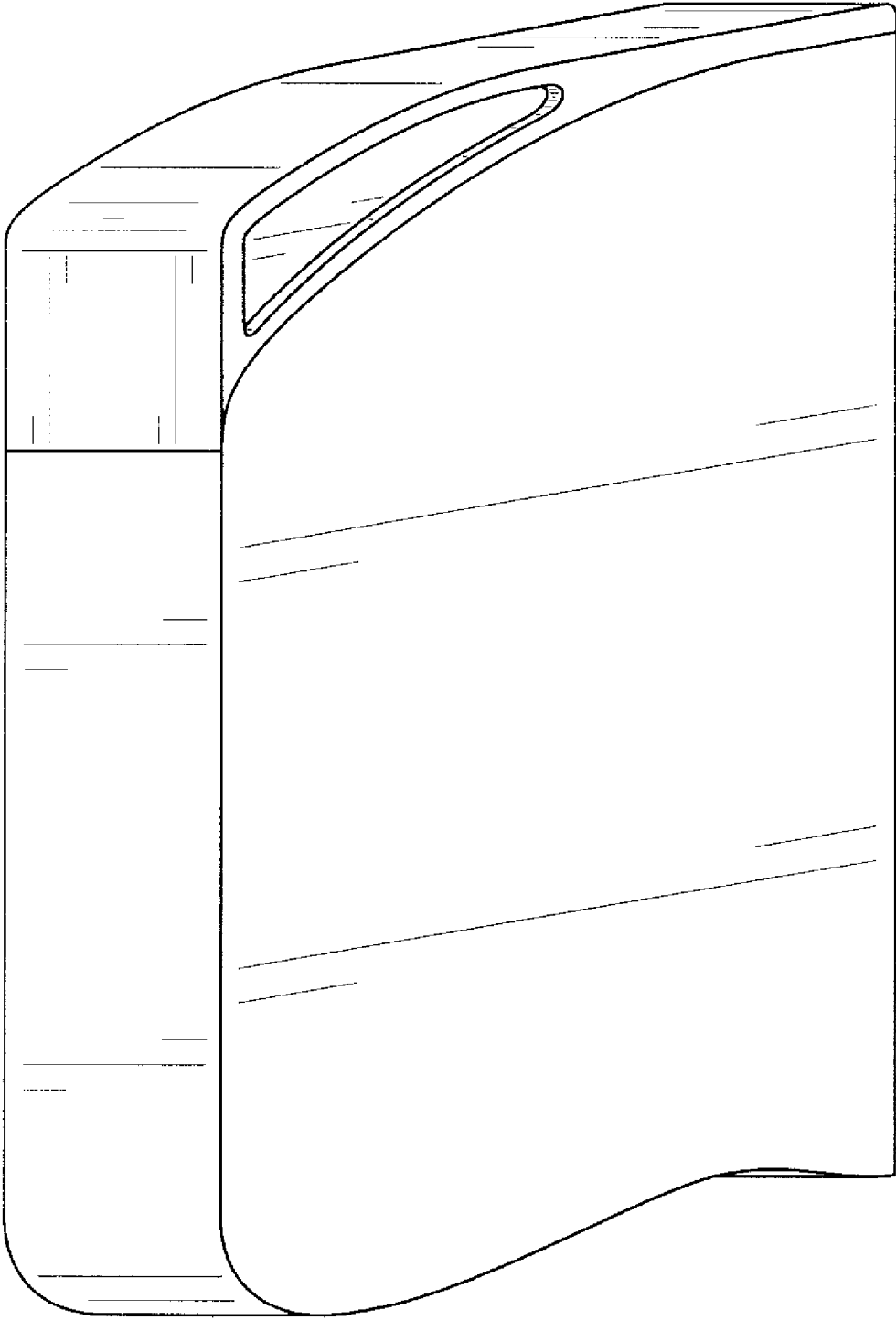


FIG. 9

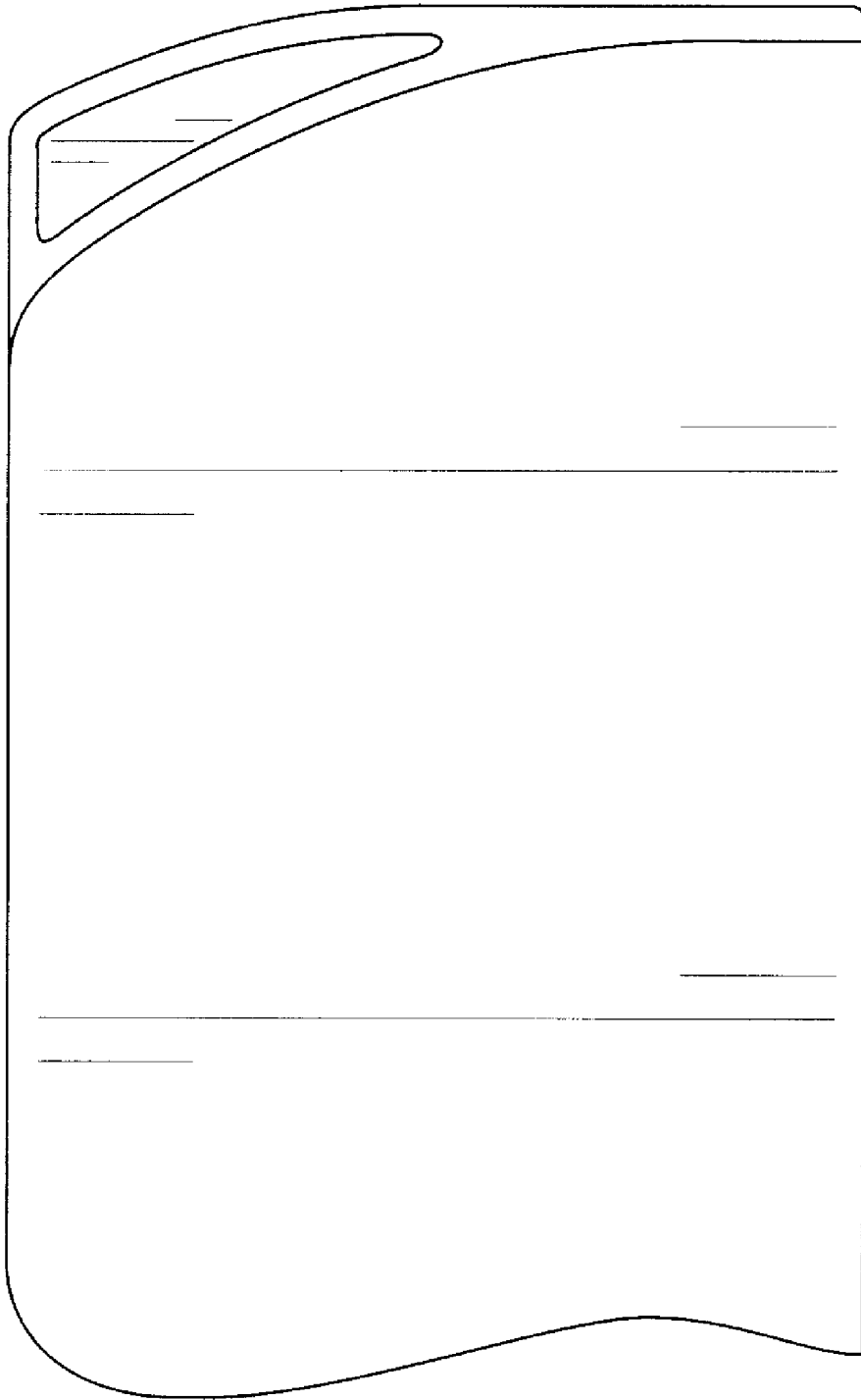


FIG. 10

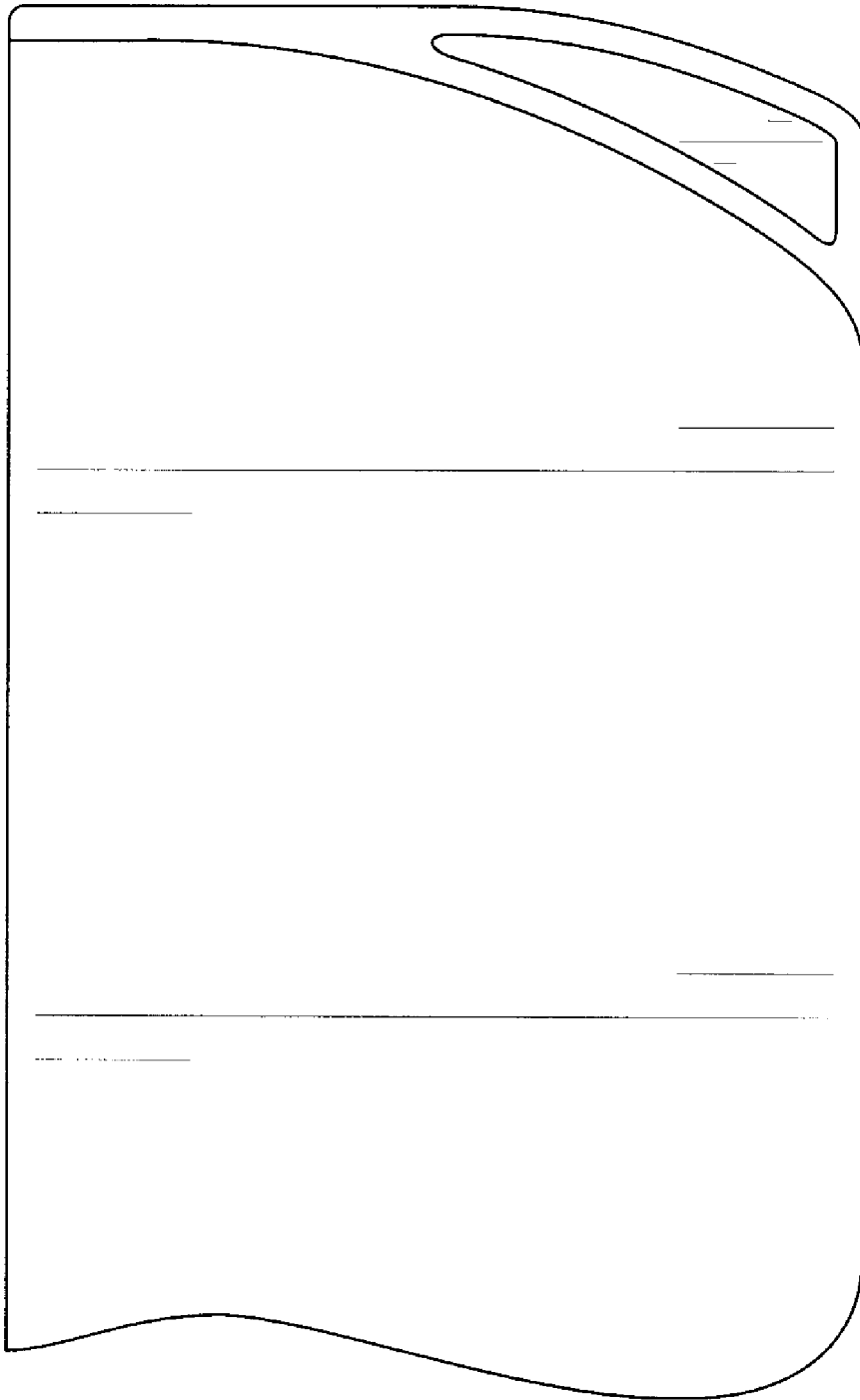


FIG. 11

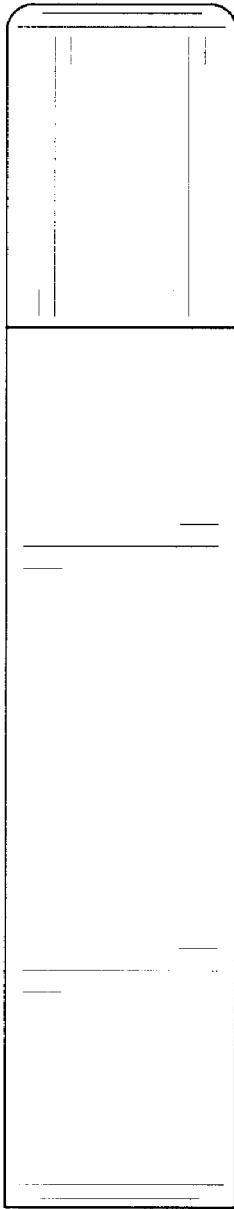


FIG. 12

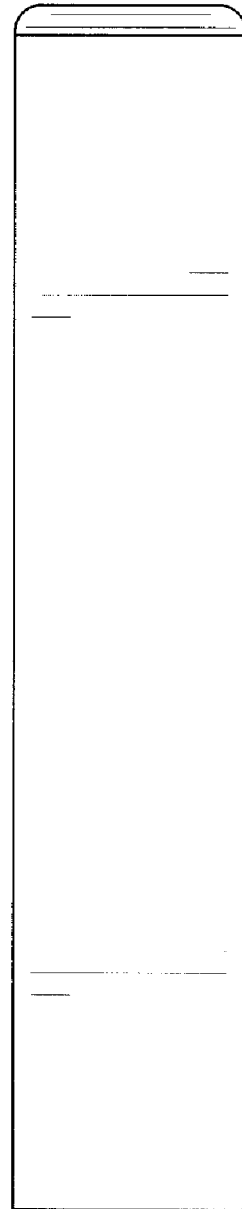


FIG. 13

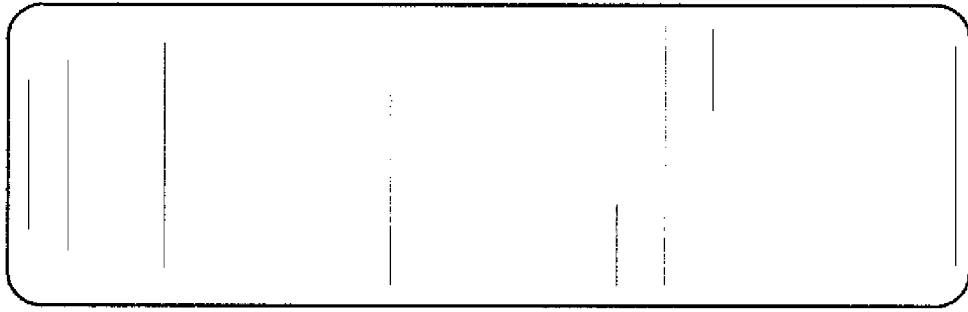


FIG. 14

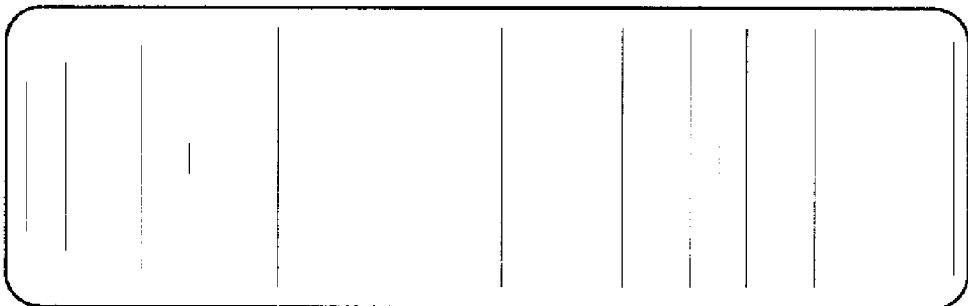


FIG. 15

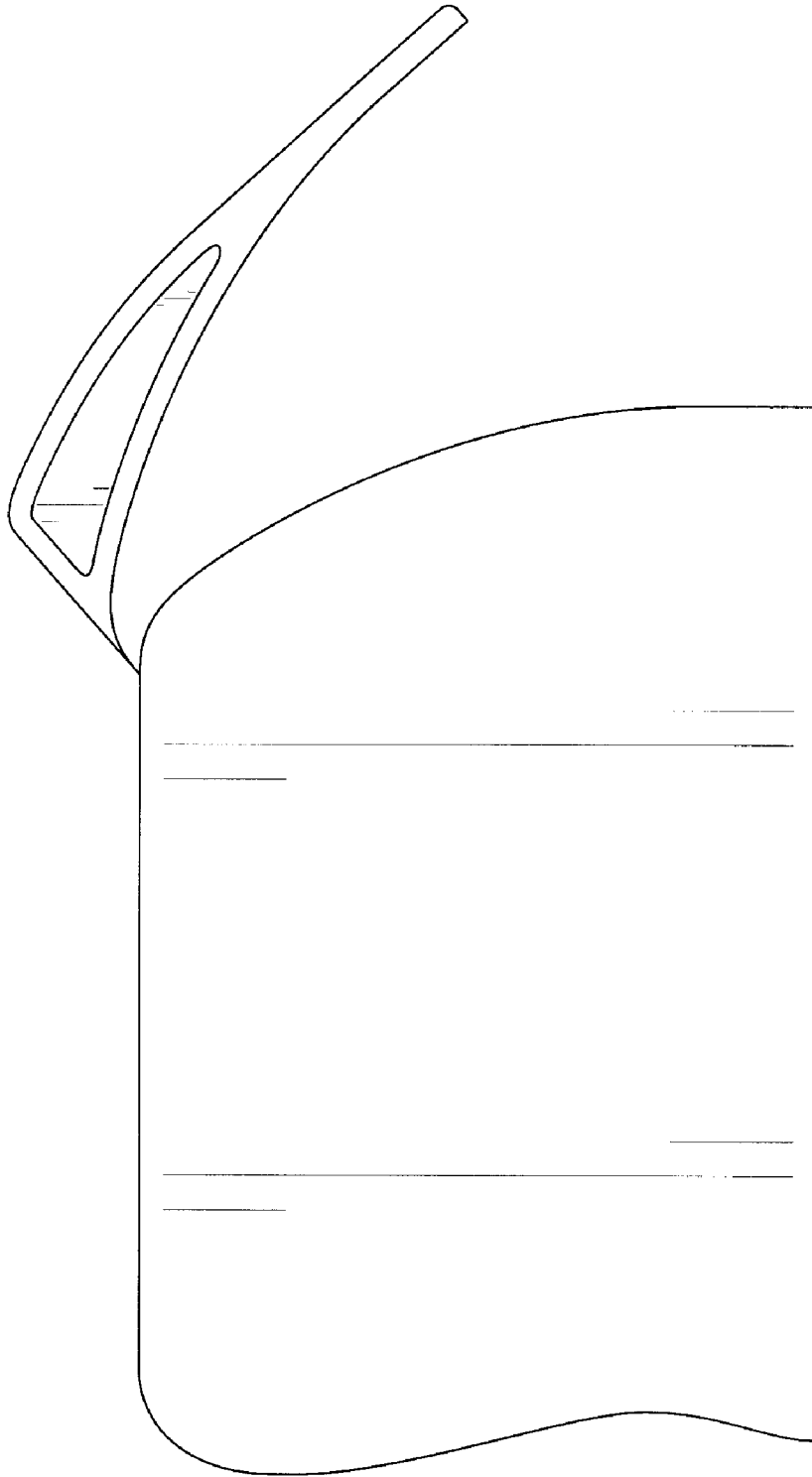


FIG. 16