



(12) **United States Design Patent**  
**Senff et al.**

(10) **Patent No.:** **US D796,028 S**  
(45) **Date of Patent:** **\*\* Aug. 29, 2017**

(54) **ORAL IRRIGATOR**  
(71) Applicant: **WATER PIK, INC.**, Fort Collins, CO (US)

1,498,267 A 6/1924 Hachman  
1,650,686 A 11/1927 Binks  
1,669,889 A 5/1928 Andrews et al.  
(Continued)

(72) Inventors: **Oscar Senff**, Broomfield, CO (US);  
**Heman Au**, Seattle, WA (US); **Jeffrey Ladwig**, Seattle, WA (US)

**FOREIGN PATENT DOCUMENTS**

CA 851479 9/1970  
CH 655237 4/1986  
(Continued)

(73) Assignee: **WATER PIK, INC.**, Fort Collins, CO (US)

**OTHER PUBLICATIONS**

(\*\*) Term: **15 Years**

US RE27,274, 01/1972, Mattingly (withdrawn)  
(Continued)

(21) Appl. No.: **29/571,568**

(22) Filed: **Jul. 19, 2016**

*Primary Examiner* — Barbara Fox  
*Assistant Examiner* — Lilyana Bekic  
(74) *Attorney, Agent, or Firm* — Dorsey & Whitney LLP

(51) **LOC (10) Cl.** ..... **24-02**  
(52) **U.S. Cl.**  
USPC ..... **D24/111**

(57) **CLAIM**  
We claim the ornamental design for an oral irrigator, as shown and described.

(58) **Field of Classification Search**  
USPC ..... D24/108, 111-113, 133, 152, 176;  
D4/101, 138; D23/356, 359, 360, 386;  
D9/432, 414; D3/203.1, 201, 200, 203.6  
CPC ..... A61C 17/0205; A61C 17/0202; A61C 17/224; A61C 17/20; A61C 17/005; A61C 17/028; A61C 17/02; A61C 17/36; A61C 17/00; A61C 17/0211; A61C 17/0214; A61C 17/28; A61C 17/043; A61C 17/22; A61C 17/222; A61C 17/225  
See application file for complete search history.

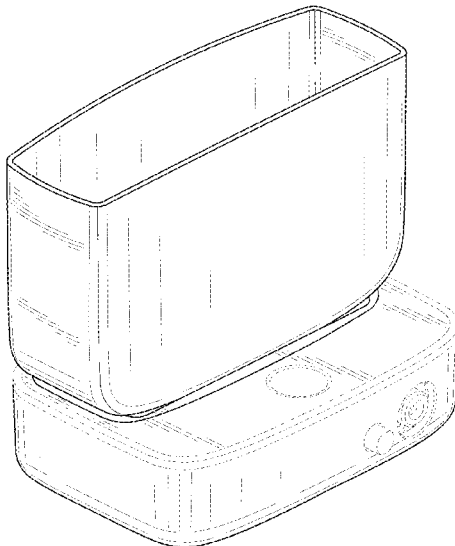
**DESCRIPTION**

FIG. 1 is a front isometric view of an oral irrigator showing our new design.  
FIG. 2 is a rear isometric view of the oral irrigator of FIG. 1.  
FIG. 3 is a front elevation view of the oral irrigator of FIG. 1.  
FIG. 4 is a rear elevation view of the oral irrigator of FIG. 1.  
FIG. 5 is a left side elevation view of the oral irrigator of FIG. 1.  
FIG. 6 is a right side elevation view of the oral irrigator of FIG. 1.  
FIG. 7 is a top plan view of the oral irrigator of FIG. 1; and, FIG. 8 is a bottom plan view of the oral irrigator of FIG. 1. The broken lines in the drawings illustrate portions of the oral irrigator that form no part of the claimed design.

(56) **References Cited**  
U.S. PATENT DOCUMENTS

555,588 A 3/1896 Spencer  
1,278,225 A 9/1918 Schamberg  
1,452,258 A 4/1923 Smith  
1,464,419 A 8/1923 Gill  
1,480,310 A 1/1924 Smith

**1 Claim, 8 Drawing Sheets**



(56)

References Cited

U.S. PATENT DOCUMENTS

1,681,320 A	8/1928	Bergl et al.					
1,933,454 A	10/1933	Sidney					
1,940,111 A	12/1933	Austin					
D93,019 S *	8/1934	Hose .....	D1/122				
1,977,782 A	10/1934	Roy					
2,107,686 A	2/1938	Bramsen et al.					
2,531,730 A	11/1950	Henderson					
2,595,666 A	5/1952	Hutson					
2,669,233 A	2/1954	Friend					
2,709,227 A	5/1955	Foley et al.					
2,783,919 A	3/1957	Ansell					
2,794,437 A	6/1957	Tash					
2,870,932 A	1/1959	Davis					
2,984,452 A	5/1961	Hooper					
3,089,490 A	5/1963	Goldberg					
3,096,913 A	7/1963	Jousson					
3,144,867 A	8/1964	Trupp et al.					
D202,041 S	8/1964	Burzlafl					
3,209,956 A	10/1965	McKenzie					
3,216,619 A	11/1965	Richards et al.					
3,225,759 A	12/1965	Drapen et al.					
3,227,158 A	1/1966	Mattingly					
3,266,623 A	8/1966	Pofelr					
3,297,558 A	1/1967	Hillquist					
D208,778 S	10/1967	Koch					
D209,204 S	11/1967	St. Clair et al.					
D209,395 S	11/1967	Gilbert					
D210,018 S	1/1968	Mattingly et al.					
D210,019 S *	1/1968	Johnson et al. ....	601/162				
3,370,214 A	2/1968	Aymar					
3,391,696 A	7/1968	Woodward					
3,393,673 A *	7/1968	Mattingly .....	A61C 1/0092 417/415				
3,400,999 A	9/1968	Goldstein					
3,418,552 A	12/1968	Holmes					
3,420,228 A	1/1969	Kalbfeld					
3,425,410 A	2/1969	Cammack					
3,453,969 A	7/1969	Mattingly					
3,465,751 A	9/1969	Powers					
3,467,083 A	9/1969	Mattingly					
D215,920 S	11/1969	McCarty et al.					
3,487,828 A	1/1970	Troy					
3,489,268 A	1/1970	Meierhoefer					
3,495,587 A *	2/1970	Freedman .....	A61C 1/0084 601/162				
3,496,933 A	2/1970	Lloyd					
3,499,440 A	3/1970	Gibbs					
3,500,824 A	3/1970	Gilbert					
3,501,203 A	3/1970	Falk					
3,502,072 A	3/1970	Stillman					
3,517,669 A	6/1970	Buono et al.					
D218,270 S	8/1970	Soper					
3,522,801 A	8/1970	Robinson					
3,532,221 A	10/1970	Kaluhiokalani et al.					
3,536,065 A	10/1970	Moret					
3,537,444 A	11/1970	Garn					
3,538,950 A	11/1970	Porteners					
3,547,110 A	12/1970	Balamuth					
3,561,433 A	2/1971	Kovach					
D220,334 S *	3/1971	Mackay et al. ....	D24/111				
3,570,525 A	3/1971	Borsum					
3,572,375 A	3/1971	Rosenberg					
3,578,884 A *	5/1971	Jacobson .....	F04B 53/10 417/317				
3,583,609 A	6/1971	Oppenheimer					
3,590,813 A	7/1971	Roszyk					
3,608,548 A	9/1971	Lewis					
D222,862 S	1/1972	Cook					
3,636,947 A	1/1972	Balamuth					
3,651,576 A	3/1972	Massa					
3,669,101 A	6/1972	Kleiner					
3,703,170 A	11/1972	Ryckman, Jr.					
3,747,595 A	7/1973	Grossan					
3,768,472 A	10/1973	Hodosh et al.					
3,783,364 A	1/1974	Gallanis et al.					
3,809,506 A	5/1974	Malcosky					
3,809,977 A	5/1974	Balamuth et al.					
3,811,432 A	5/1974	Moret					
3,820,532 A	6/1974	Eberhardt et al.					
3,827,147 A	8/1974	Condon					
3,837,166 A	9/1974	Hiraoka					
3,840,795 A	10/1974	Roszyk et al.					
3,847,145 A	11/1974	Grossan					
3,854,209 A	12/1974	Franklin et al.					
3,863,628 A	2/1975	Vit					
3,871,560 A	3/1975	Crippa					
3,874,506 A	4/1975	Hill et al.					
3,912,125 A	10/1975	Acklin					
3,943,628 A	3/1976	Kronman et al.					
3,959,883 A	6/1976	Walls et al.					
3,973,558 A	8/1976	Stouffer et al.					
3,977,084 A	8/1976	Sloan					
4,001,526 A	1/1977	Olson					
4,004,302 A	1/1977	Hori					
4,007,739 A	2/1977	Bron et al.					
4,013,227 A	3/1977	Herrera					
4,052,002 A	10/1977	Stouffer et al.					
D246,667 S	12/1977	Mackay et al.					
4,060,870 A	12/1977	Cannarella					
4,075,761 A	2/1978	Behne et al.					
4,078,558 A	3/1978	Woog et al.					
4,094,311 A	6/1978	Hudson					
4,108,167 A *	8/1978	Hickman .....	A61H 13/005 601/162				
4,108,178 A	8/1978	Betush					
4,109,650 A	8/1978	Peclard					
4,122,845 A	10/1978	Stouffer et al.					
4,135,501 A	1/1979	Leunissan					
4,141,352 A	2/1979	Ebner et al.					
4,144,646 A	3/1979	Takemoto et al.					
4,149,315 A	4/1979	Page, Jr. et al.					
4,154,375 A	5/1979	Bippus					
4,160,383 A	7/1979	Rauschenberger					
4,171,572 A	10/1979	Nash					
4,182,038 A	1/1980	Fleer					
4,200,235 A	4/1980	Monschke					
4,201,200 A *	5/1980	Hubner .....	A61C 17/02 206/218				
4,215,476 A	8/1980	Armstrong					
4,219,618 A	8/1980	Leonard					
4,227,878 A	10/1980	Lohn					
4,229,634 A *	10/1980	Hickman .....	H01H 9/04 200/16 D				
4,236,889 A	12/1980	Wright					
4,248,589 A	2/1981	Lewis					
4,249,899 A	2/1981	Davis					
4,257,458 A	3/1981	Kondo et al.					
4,262,799 A	4/1981	Perrett					
4,266,934 A	5/1981	Pernot					
4,276,023 A	6/1981	Phillips et al.					
4,276,880 A	7/1981	Malmin					
4,302,186 A *	11/1981	Cammack .....	A61C 1/0092 433/80				
4,303,064 A	12/1981	Buffa					
4,303,070 A	12/1981	Ichikawa et al.					
4,306,862 A	12/1981	Knox					
4,315,741 A	2/1982	Reichl					
4,319,568 A	3/1982	Tregoning					
4,331,422 A	5/1982	Heyman					
4,337,040 A *	6/1982	Cammack .....	A61C 1/0092 433/80				
4,340,365 A	7/1982	Pisanu					
4,340,368 A	7/1982	Lococo					
D266,117 S	9/1982	Oberheim					
4,353,694 A	10/1982	Pelerin					
4,363,626 A	12/1982	Schmidt et al.					
4,365,376 A	12/1982	Oda et al.					
4,370,131 A	1/1983	Banko					
4,374,354 A	2/1983	Petrovic et al.					
4,382,167 A	5/1983	Maruyama et al.					
4,382,786 A	5/1983	Lohn					
D270,000 S *	8/1983	Ketler .....	D24/111				
4,412,823 A	11/1983	Sakai et al.					

(56)

## References Cited

## U.S. PATENT DOCUMENTS

4,416,628	A *	11/1983	Cammack .....	A61C 17/02 200/526	4,969,874	A	11/1990	Michel et al.
4,442,830	A	4/1984	Markau		4,973,246	A	11/1990	Black
4,442,831	A *	4/1984	Trenary .....	A61H 13/005 601/162	4,973,247	A	11/1990	Varnes et al.
4,452,238	A *	6/1984	Kerr .....	A61H 13/005 222/133	4,973,250	A	11/1990	Milman
4,454,866	A	6/1984	Fayen		4,975,054	A	12/1990	Esrock
4,512,769	A	4/1985	Kozam et al.		4,979,503	A	12/1990	Chernack
4,517,962	A	5/1985	Heckele		4,979,504	A	12/1990	Mills
4,531,912	A	7/1985	Schuss et al.		4,989,590	A	2/1991	Baum et al.
4,531,913	A	7/1985	Taguchi		4,998,880	A	3/1991	Nerli
4,534,340	A	8/1985	Kerr et al.		5,013,241	A	5/1991	von Gutfeld et al.
4,552,130	A	11/1985	Kinoshita		5,014,884	A	5/1991	Wunsch
4,561,214	A	12/1985	Inoue		5,019,054	A	5/1991	Clement et al.
D283,374	S	4/1986	Cheuk-Yiu		5,027,798	A	7/1991	Primiano
4,585,415	A	4/1986	Hommann		5,029,576	A	7/1991	Evans, Sr.
4,591,777	A	5/1986	McCarty et al.		5,033,617	A	7/1991	Hartwein et al.
4,592,728	A	6/1986	Davis		5,033,961	A	7/1991	Kandler et al.
4,602,906	A	7/1986	Grunenfelder		D318,918	S	8/1991	Hartwein
4,607,627	A	8/1986	Leber et al.		5,046,486	A	9/1991	Grulke et al.
4,613,074	A	9/1986	Schulze		5,049,071	A	9/1991	Davis et al.
4,619,009	A	10/1986	Rosenstatter		5,060,825	A	10/1991	Palmer et al.
4,619,612	A	10/1986	Weber et al.		5,061,180	A	10/1991	Wiele
4,629,425	A	12/1986	Detsch		5,062,795	A	11/1991	Woog
4,636,198	A	1/1987	Stade		5,064,168	A	11/1991	Raines et al.
4,642,037	A	2/1987	Fritchman		D322,314	S	12/1991	Ohbayashi
4,644,937	A	2/1987	Hommann		5,071,346	A	12/1991	Domaas
4,645,488	A	2/1987	Matukas		5,082,115	A	1/1992	Hutcheson
4,647,831	A	3/1987	O'Malley et al.		5,082,443	A	1/1992	Lohn
4,648,838	A	3/1987	Schlachter		5,085,317	A	2/1992	Jensen et al.
4,650,475	A	3/1987	Smith et al.		5,086,756	A	2/1992	Powell
4,655,198	A	4/1987	Hommann		5,095,893	A	3/1992	Rawden, Jr.
4,669,453	A	6/1987	Atkinson et al.		5,098,291	A	3/1992	Curtis et al.
4,672,953	A	6/1987	DiVito		5,098,676	A	3/1992	Brooks, Jr.
4,673,396	A	6/1987	Urbaniak		5,100,319	A *	3/1992	Baum .....
D291,354	S	8/1987	Camens					A61C 17/0202 433/80
4,716,352	A	12/1987	Hurn et al.		5,117,871	A	6/1992	Gardner et al.
4,749,340	A	6/1988	Ikeda et al.		5,125,835	A	6/1992	Young
4,770,632	A	9/1988	Ryder et al.		5,127,831	A	7/1992	Bab
4,783,321	A	11/1988	Spence		5,142,723	A	9/1992	Lustig et al.
4,787,845	A	11/1988	Valentine		5,150,841	A	9/1992	Silvenis et al.
4,787,847	A	11/1988	Martin et al.		5,172,810	A	12/1992	Brewer
4,798,292	A	1/1989	Hauze		5,173,273	A	12/1992	Brewer
4,803,974	A	2/1989	Powell		5,183,035	A	2/1993	Weir
4,804,364	A	2/1989	Dieras et al.		5,197,458	A	3/1993	Ito et al.
4,818,229	A	4/1989	Vasile		5,197,460	A	3/1993	Ito et al.
4,820,152	A	4/1989	Warrin et al.		5,199,871	A	4/1993	Young
4,821,923	A	4/1989	Skorka		5,203,697	A	4/1993	Malmin
4,824,368	A *	4/1989	Hickman .....	A61C 1/0092 433/80	5,203,769	A	4/1993	Clement et al.
4,826,431	A	5/1989	Fujimura et al.		5,204,004	A	4/1993	Johnston et al.
4,827,551	A	5/1989	Maser et al.		5,208,933	A	5/1993	Lustig et al.
4,832,683	A	5/1989	Idemoto et al.		5,215,193	A	6/1993	Dennis
4,854,869	A	8/1989	Lawhorn		5,218,956	A	6/1993	Handler et al.
4,861,340	A	8/1989	Smith et al.		5,220,914	A	6/1993	Thompson
4,862,876	A	9/1989	Lih-Sheng		5,228,646	A	7/1993	Raines
4,869,720	A	9/1989	Chernack		5,230,624	A	7/1993	Wolf et al.
4,880,382	A	11/1989	Moret et al.		5,232,687	A	8/1993	Geimer
4,886,452	A	12/1989	Lohn		5,235,968	A	8/1993	Woog
4,900,252	A	2/1990	Liefke et al.		5,241,714	A	9/1993	Barry
4,902,225	A	2/1990	Lohn		5,246,367	A	9/1993	Ito et al.
4,903,687	A	2/1990	Lih-Sheng		5,252,064	A	10/1993	Baum et al.
4,906,187	A	3/1990	Amadera		D341,200	S	11/1993	Yoshimoto
4,907,744	A	3/1990	Jousson		5,257,933	A	11/1993	Jousson
4,925,450	A	5/1990	Imonti et al.		5,261,448	A	11/1993	Furuya et al.
4,928,675	A	5/1990	Thornton		D341,943	S	12/1993	Si-Hoe
4,930,660	A	6/1990	Porteous		5,267,586	A	12/1993	Jankavaara
4,941,459	A	7/1990	Mathur		5,269,684	A	12/1993	Fischer
4,950,159	A	8/1990	Hansen		5,281,137	A	1/1994	Jousson
4,958,629	A	9/1990	Peace et al.		5,281,139	A	1/1994	Frank et al.
4,958,751	A	9/1990	Curtis et al.		5,282,745	A	2/1994	Wiltout et al.
4,959,199	A	9/1990	Brewer		5,286,192	A	2/1994	Dixon
4,961,698	A	10/1990	Vlock		5,286,201	A	2/1994	Yu
4,966,551	A	10/1990	Betush		5,295,832	A *	3/1994	Evans .....
								A61C 17/028 433/216
					5,297,962	A	3/1994	O'Connor et al.
					D346,212	S	4/1994	Hosl
					5,301,381	A	4/1994	Klupt
					5,302,123	A	4/1994	Bechard
					5,317,691	A	5/1994	Traeger
					5,321,865	A	6/1994	Kaeser
					5,331,704	A	7/1994	Rosen et al.

(56)		References Cited					
U.S. PATENT DOCUMENTS							
5,344,317	A	9/1994	Pacher et al.	D416,999	S	11/1999	Miyamoto
5,346,677	A	9/1994	Risk	D417,082	S	11/1999	Classen et al.
D351,892	S	10/1994	Wolf et al.	5,993,402	A	11/1999	Sauer et al.
5,360,338	A	11/1994	Waggoner	6,030,215	A	2/2000	Ellion et al.
5,368,548	A	11/1994	Jousson	6,038,960	A	3/2000	Fukushima et al.
5,370,534	A	12/1994	Wolf et al.	6,039,180	A	3/2000	Grant
D354,168	S	1/1995	Hartwein	6,047,429	A	4/2000	Wu
D354,559	S	1/1995	Knute	D425,615	S	5/2000	Bachman et al.
5,378,149	A	1/1995	Stropko	D425,981	S	5/2000	Bachman et al.
5,380,201	A	1/1995	Kawata	6,056,710	A *	5/2000	Bachman ..... A61C 17/02
D356,864	S	3/1995	Woog				601/162
5,399,089	A	3/1995	Eichman et al.	D426,633	S	6/2000	Bachman et al.
D358,883	S	5/1995	Vos	6,089,865	A	7/2000	Edgar
5,456,672	A	10/1995	Diederich et al.	6,116,866	A	9/2000	Tomita et al.
5,465,445	A	11/1995	Yeh	6,120,755	A *	9/2000	Jacobs ..... A61C 1/0084
5,467,495	A	11/1995	Boland et al.				424/49
5,468,148	A	11/1995	Ricks	6,124,699	A	9/2000	Suzuki et al.
5,470,305	A	11/1995	Arnett et al.	D434,500	S	11/2000	Pollock et al.
5,474,450	A	12/1995	Chronister	6,159,006	A	12/2000	Cook et al.
5,474,451	A	12/1995	Dalrymple et al.	6,164,967	A	12/2000	Sale et al.
5,476,379	A	12/1995	Disel	D435,905	S	1/2001	Bachman et al.
5,484,281	A	1/1996	Renow et al.	D437,049	S	1/2001	Hartwein
5,487,877	A	1/1996	Choi	6,193,512	B1	2/2001	Wallace
5,490,779	A	2/1996	Malmin	6,193,932	B1	2/2001	Wu et al.
5,505,916	A	4/1996	Berry, Jr.	6,199,239	B1	3/2001	Dickerson
D369,656	S	5/1996	Vos	6,200,134	B1	3/2001	Kovac
D370,125	S	5/1996	Craft et al.	D439,781	S	4/2001	Spore
5,525,058	A	6/1996	Gallant et al.	6,217,835	B1	4/2001	Riley et al.
5,526,841	A	6/1996	Detsch et al.	D441,861	S	5/2001	Haffiger
5,540,587	A	7/1996	Malmin	6,233,773	B1	5/2001	Karge et al.
5,547,374	A	8/1996	Coleman	6,234,205	B1	5/2001	D'Amelio et al.
D373,631	S	9/1996	Maeda et al.	6,237,178	B1	5/2001	Krammer et al.
5,554,014	A	9/1996	Becker	6,247,929	B1	6/2001	Bachman et al.
5,554,025	A	9/1996	Kinsel	6,280,190	B1	8/2001	Hoffman
5,556,001	A	9/1996	Weissman et al.	D448,236	S	9/2001	Murray
5,564,629	A	10/1996	Weissman et al.	6,293,792	B1	9/2001	Hanson
D377,091	S	12/1996	Scott, Sr.	D449,884	S	10/2001	Tobin et al.
5,613,259	A	3/1997	Craft et al.	D453,453	S	2/2002	Lun
5,616,028	A	4/1997	Hafele et al.	6,363,565	B1	4/2002	Paffrath
5,626,472	A	5/1997	Pennetta	D457,949	S	5/2002	Krug
5,634,791	A	6/1997	Matsuura et al.	D464,799	S	10/2002	Crossman et al.
5,636,987	A	6/1997	Serfaty	6,468,482	B1	10/2002	Frieze et al.
5,640,735	A	6/1997	Manning	6,475,173	B1	11/2002	Bachman et al.
D382,407	S	8/1997	Craft et al.	6,485,451	B1	11/2002	Roberts et al.
5,653,591	A	8/1997	Loge	6,497,375	B1	12/2002	Srinath et al.
5,659,995	A	8/1997	Hoffman	6,497,572	B2	12/2002	Hood et al.
5,667,483	A	9/1997	Santos	6,502,584	B1	1/2003	Fordham
D386,576	S	11/1997	Wang et al.	D470,660	S	2/2003	Schaber
5,683,192	A	11/1997	Killfoil	6,558,344	B2	5/2003	McKinnon et al.
5,685,829	A	11/1997	Allen	6,561,808	B2	5/2003	Neuberger et al.
5,685,851	A	11/1997	Murphy et al.	D475,346	S	6/2003	McCurrach et al.
5,697,784	A	12/1997	Hafele et al.	D476,743	S	7/2003	D'Silva
D388,612	S	1/1998	Stutzer et al.	6,589,477	B1	7/2003	Frieze et al.
D388,613	S	1/1998	Stutzer et al.	6,602,071	B1	8/2003	Ellion et al.
5,709,545	A	1/1998	Johnston et al.	6,632,091	B1	10/2003	Cise et al.
5,716,007	A	2/1998	Nottingham et al.	D482,451	S	11/2003	Page et al.
5,718,668	A	2/1998	Arnett et al.	6,640,999	B2	11/2003	Peterson
5,746,595	A	5/1998	Ford	6,647,577	B2	11/2003	Tam
5,749,726	A	5/1998	Kinsel	6,659,674	B2	12/2003	Carlucci et al.
5,759,502	A	6/1998	Spencer et al.	6,669,059	B2	12/2003	Mehta
5,779,471	A	7/1998	Tseng et al.	D484,971	S	1/2004	Hartwein
5,779,654	A	7/1998	Foley et al.	6,681,418	B1	1/2004	Bierend
5,795,153	A	8/1998	Rechmann	D486,573	S	2/2004	Callaghan et al.
5,796,325	A	8/1998	Lundell et al.	6,689,078	B1	2/2004	Rehkemper et al.
5,833,065	A	11/1998	Burgess	6,699,208	B2	3/2004	Bachman et al.
5,836,030	A	11/1998	Hazeu et al.	6,719,561	B2	4/2004	Gugel et al.
D402,744	S	12/1998	Zuege	D489,183	S	5/2004	Akahori et al.
5,851,079	A	12/1998	Horstman et al.	6,739,782	B1	5/2004	Rehkemper et al.
D403,511	S *	1/1999	Serbinski ..... D24/111	6,740,053	B2	5/2004	Kaplowitz
D406,334	S	3/1999	Rosenthal et al.	D490,899	S	6/2004	Gagnon
5,876,201	A	3/1999	Wilson et al.	D491,728	S	6/2004	Jimenez
D408,511	S	4/1999	Allen et al.	D492,996	S	7/2004	Rehkemper et al.
5,901,397	A	5/1999	Hafele et al.	6,761,324	B2	7/2004	Chang
5,934,902	A	8/1999	Abahusayn	6,766,549	B2	7/2004	Klupt
D413,975	S	9/1999	Maeda	D495,142	S	8/2004	Berde
				D495,143	S	8/2004	Berde
				6,779,216	B2	8/2004	Davies et al.
				6,783,004	B1	8/2004	Rinner
				6,783,505	B1	8/2004	Lai

(56)

References Cited

U.S. PATENT DOCUMENTS

6,796,796 B2	9/2004	Segal	8,403,665 B2	3/2013	Thomas et al.
D498,643 S	11/2004	Pryor	8,408,483 B2	4/2013	Boyd et al.
6,814,259 B1	11/2004	Foster et al.	D686,311 S	7/2013	Mori
D499,885 S	12/2004	Xi	D694,398 S	11/2013	Taylor
6,835,181 B2	12/2004	Hippensteel	D700,343 S	2/2014	Liu
D500,599 S	1/2005	Callaghan	D707,350 S	6/2014	Woodard
6,837,708 B2	1/2005	Chen et al.	D709,183 S	7/2014	Kemlein
6,884,069 B2	4/2005	Goldman	D714,929 S	10/2014	Kim et al.
6,902,337 B1	6/2005	Kuo	D714,930 S	10/2014	Kim et al.
6,907,879 B2	6/2005	Drinan et al.	D717,427 S	11/2014	Kim
D509,585 S	9/2005	Kling et al.	D718,855 S	12/2014	Kim et al.
D513,638 S	1/2006	Pan	D725,770 S	3/2015	Kim et al.
D515,215 S	2/2006	Wang	D731,640 S	6/2015	Kim et al.
D522,652 S	6/2006	Massey	D740,936 S	10/2015	Kim et al.
7,080,980 B2	7/2006	Klupt	D745,423 S	12/2015	Khattak
D529,661 S	10/2006	Schmidt	D746,975 S	1/2016	Schenck
D530,010 S	10/2006	Luetzgen et al.	D747,464 S	1/2016	Taylor
7,117,555 B2	10/2006	Fattori et al.	D754,330 S	4/2016	Kim et al.
7,131,838 B2	11/2006	Suzuki et al.	D756,122 S	5/2016	Taylor
D533,720 S	12/2006	Vu	D764,051 S	8/2016	Wang
D538,474 S	3/2007	Sheppard et al.	D766,423 S	9/2016	Kim et al.
D548,334 S	8/2007	Izumi	D772,396 S	11/2016	Kim et al.
D550,097 S	9/2007	Lepoitevin	D772,397 S	11/2016	Kim et al.
7,276,035 B2	10/2007	Lu	D774,651 S	12/2016	Kaib
7,314,456 B2	1/2008	Shaw	D776,253 S	1/2017	Li
D565,175 S	3/2008	Boyd et al.	D782,326 S *	3/2017	Fath ..... D9/711
7,344,510 B1	3/2008	Yande	D782,656 S *	3/2017	Au ..... D24/111
D565,713 S	4/2008	Gao	2002/0090252 A1	7/2002	Hall et al.
7,367,803 B2	5/2008	Egeresi	2002/0108193 A1	8/2002	Gruber
D574,952 S	8/2008	Boyd et al.	2002/0119415 A1	8/2002	Bailey
D577,198 S	9/2008	Jimenez	2002/0152565 A1	10/2002	Klupt
D577,814 S	9/2008	Seki et al.	2003/0060743 A1	3/2003	Chang
D581,279 S	11/2008	Oates	2003/0098249 A1	5/2003	Rollock
7,455,521 B2	11/2008	Fishburne, Jr.	2003/0204155 A1	10/2003	Egeresi
7,469,440 B2	12/2008	Boland et al.	2003/0213075 A1	11/2003	Hui et al.
D585,132 S	1/2009	Pukall	2004/0045107 A1	3/2004	Egeresi
D588,262 S	3/2009	Pukall	2004/0076921 A1	4/2004	Gofman et al.
7,500,584 B2	3/2009	Schutz	2004/0122377 A1	6/2004	Fischer et al.
D590,492 S	4/2009	Powell	2004/0126730 A1	7/2004	Panagotacos
D592,748 S	5/2009	Boulton	2004/0209222 A1	10/2004	Snyder
D595,136 S	6/2009	Canamasas Puigbo	2005/0049620 A1	3/2005	Chang
D601,694 S	10/2009	Rocklin	2005/0064371 A1	3/2005	Soukos et al.
D601,697 S	10/2009	Sobiech et al.	2005/0101894 A1	5/2005	Hippensteel
D603,708 S	11/2009	Handy	2005/0102773 A1	5/2005	Obermann et al.
7,670,141 B2	3/2010	Thomas et al.	2005/0144745 A1	7/2005	Russell
7,677,888 B1	3/2010	Halm	2005/0177079 A1	8/2005	Pan
D613,550 S	4/2010	Picozza et al.	2005/0271531 A1	12/2005	Brown et al.
D621,949 S	8/2010	Seki et al.	2006/0008373 A1	1/2006	Schutz
D623,376 S *	9/2010	Griebel ..... D1/122	2006/0010624 A1	1/2006	Cleland
D625,406 S	10/2010	Seki et al.	2006/0026784 A1	2/2006	Moskovich et al.
7,814,585 B1	10/2010	Reich	2006/0057539 A1	3/2006	Sodo
D626,647 S	11/2010	Amborn	2006/0078844 A1	4/2006	Goldman et al.
D629,884 S	12/2010	Stephens	2006/0079818 A1	4/2006	Yande
7,857,623 B2	12/2010	Grez	2007/0082316 A1	4/2007	Zhadanov et al.
7,862,536 B2	1/2011	Chen et al.	2007/0082317 A1	4/2007	Chuang
7,959,597 B2	6/2011	Baker et al.	2007/0113360 A1	5/2007	Tsai
D640,872 S	7/2011	Nanda	2007/0202459 A1	8/2007	Boyd et al.
D648,539 S	11/2011	Wai	2007/0203439 A1	8/2007	Boyd et al.
D651,409 S	1/2012	Papenfu	2007/0254260 A1	11/2007	Alden
D651,805 S	1/2012	Hay	2008/0189951 A1	8/2008	Molema et al.
D653,340 S	1/2012	Goerge et al.	2008/0213719 A1	9/2008	Giniger et al.
8,113,832 B2	2/2012	Snyder et al.	2009/0070949 A1	3/2009	Sagel et al.
D655,380 S	3/2012	Taylor	2009/0082706 A1	3/2009	Shaw
D658,381 S	5/2012	Gebbski	2009/0124945 A1	5/2009	Reich et al.
8,220,726 B2	7/2012	Qiu et al.	2009/0163839 A1	6/2009	Alexander
D666,912 S	9/2012	Kawai	2009/0281454 A1	11/2009	Baker et al.
8,256,979 B2	9/2012	Hilscher et al.	2010/0010524 A1	1/2010	Barrington
D668,339 S	10/2012	Luoto	2010/0015566 A1	1/2010	Shaw
D669,169 S	10/2012	Washington et al.	2010/0190132 A1	7/2010	Taylor et al.
8,297,534 B2	10/2012	Li et al.	2010/0239998 A1	9/2010	Snyder et al.
D670,373 S	11/2012	Taylor et al.	2010/0261134 A1	10/2010	Boyd et al.
D670,958 S	11/2012	Picozza et al.	2010/0261137 A1	10/2010	Boyd et al.
D671,637 S	11/2012	Gebbski et al.	2010/0326536 A1	12/2010	Nan
8,366,024 B2	2/2013	Leber et al.	2010/0330527 A1	12/2010	Boyd et al.
8,403,577 B2	3/2013	Khoshnevis	2011/0027749 A1	2/2011	Syed
			2011/0076090 A1	3/2011	Wu et al.
			2011/0097683 A1	4/2011	Boyd et al.
			2011/0139826 A1	6/2011	Hair et al.
			2011/0144588 A1	6/2011	Taylor et al.

(56)

References Cited

U.S. PATENT DOCUMENTS

2011/0184341	A1	7/2011	Baker et al.	
2011/0307039	A1	12/2011	Cornell	
2012/0021374	A1	1/2012	Cacka et al.	
2012/0045730	A1	2/2012	Sayder et al.	
2012/0064480	A1	3/2012	Hegemann	
2012/0077145	A1	3/2012	Tsurukawa	
2012/0141952	A1	6/2012	Snyder et al.	
2012/0179118	A1	7/2012	Hair	
2012/0189976	A1	7/2012	McDonough et al.	
2012/0266396	A1	10/2012	Leung	
2012/0277677	A1	11/2012	Taylor et al.	
2012/0277678	A1	11/2012	Taylor et al.	
2012/0295220	A1	11/2012	Thomas et al.	
2013/0295520	A1*	11/2013	Hsieh	A61C 17/02 433/89
2014/0106296	A1	4/2014	Woodard et al.	
2014/0193774	A1	7/2014	Snyder et al.	
2014/0259474	A1	9/2014	Sokol et al.	
2014/0272769	A1*	9/2014	Luetngen	A61C 17/0202 433/27
2014/0272782	A1	9/2014	Luetngen et al.	
2014/0352088	A1	12/2014	Wu	
2015/0004559	A1	1/2015	Luetngen et al.	
2015/0147717	A1	5/2015	Taylor et al.	
2015/0173850	A1*	6/2015	Garrigues	A61C 1/0092 433/80
2015/0182319	A1	7/2015	Wagner et al.	
2016/0100921	A1	4/2016	Ungar	
2016/0151133	A1	6/2016	Luetngen et al.	

FOREIGN PATENT DOCUMENTS

DE	1466963	5/1969
DE	2409752	9/1975
DE	2545936	4/1977
DE	2714876	10/1978
DE	2910982	2/1980
EP	0023672	7/1980
EP	0515983	2/1992
FR	2556954	6/1985
FR	2654627	5/1991
GB	1182031	2/1970
GB	2018605	10/1979
JP	2-134150	5/1990
JP	2009-39455	2/2009
WO	WO95/016404	6/1995
WO	WO01/10327	2/2001
WO	WO2004/021958	3/2004
WO	WO2004/039205	5/2004
WO	WO2004/060259	7/2004
WO	WO2008/157585	12/2008
WO	WO2013/124691	8/2013

OTHER PUBLICATIONS

Waterpik WP350W Oral Irrigator. Dentist.net. Copyright date 2013. Date accessed: Mar. 30, 2017. <<http://www.dentalhoo.com/waterpik-wp350.asp>>.\*

iPik Portable Oral Irrigator. AliExpress. Date reviewed: Oct. 5, 2016. <[https://www.aliexpress.com/...e-Oral-Care-Product-Nasal-Irrigator-Tooth-Flosser-Water/1525541997.html?aff\\_platform=aaf&cpt=1490913714609&sk=yfAeyJa&aff\\_trace\\_key=c5a300c4f02e46d08c042f5292e1762f-1490913714609-07517-yfAeyJa](https://www.aliexpress.com/...e-Oral-Care-Product-Nasal-Irrigator-Tooth-Flosser-Water/1525541997.html?aff_platform=aaf&cpt=1490913714609&sk=yfAeyJa&aff_trace_key=c5a300c4f02e46d08c042f5292e1762f-1490913714609-07517-yfAeyJa)>.\*

Brite Leafs Professional Portable 2-in-1 Nasal Sinus & Oral Irrigator. Brite Leafs. Copyright date 2012. <<http://www.briteleafs.com/product6.html>>.\*

The Right Tool, Electron Fusion Devices, Inc., 2 pages, at least as early as Feb. 1991.

Japanese Packaging, 2 pages, at least as early as Dec. 2002.

Japanese Instruction Brochure, 20 pages, at least as early as Dec. 2002.

Brochure: Woog International, "You have a 98% chance of getting gum disease. Unless you read this.", Lancaster, Pennsylvania, 5 pages, Feb. 1987.

Brochure: Woog International, "We put the control of home dental care back into the hands of the professional", Lancaster, Pennsylvania, 2 pages, Feb. 1987.

Brochure: Woog International, "Products at a Glance: Home Dental Care System" Woog Orajet, 3 pages, at least as early as Dec. 18, 1998.

Website: [http://www.just4teeth.com/product/Panasonic/Panasonic\\_Portable\\_Irrigator.htm](http://www.just4teeth.com/product/Panasonic/Panasonic_Portable_Irrigator.htm), 2 pages, at least as early as Jun. 20, 2003.

Website: [http://www.videodirectstore.com/store/merchant.mv?Screen=PROD&Product\\_Code=EW1](http://www.videodirectstore.com/store/merchant.mv?Screen=PROD&Product_Code=EW1) . . . , 2 pages, at least as early as Jun. 20, 2003.

Website: <http://products.consumerguide.com/cp/family/review/index.cfm/id/18742>, 2 pages, at least as early as Jun. 20, 2003.

Website: <http://www.racekarteng.com/images/walbroparts.gif> and <http://www.muller.net/mullermachine/docs/walbro1.html>, 4 pages, at least as early as Jun. 20, 2003.

European Search Report, EPO Application No. 07250799.9, Jul. 5, 2007.

European Search Report, EPO Application No. 07252693.2, 14 pages, Apr. 28, 2008.

European Examination Report, EPO Application No. 07250799.9, Feb. 5, 2009.

International Search Report, Application No. PCT/US2010/028180, 2 pages, May 18, 2010.

International Search Report, PCT/US2010/060800, 2 pages, Feb. 11, 2011.

International Search Report, PCT/US2011/052795, 10 pages, Jan. 17, 2012.

Waterpik SinuSense Website: <http://www.insightsbyapril.com/2012/03/waterpik-natural-remedy-for-sinus.html>, 8 pages, retrieved on May 31, 2012.

Website: <https://www.waterpik.com/about-us/>, 3 pages.

\* cited by examiner

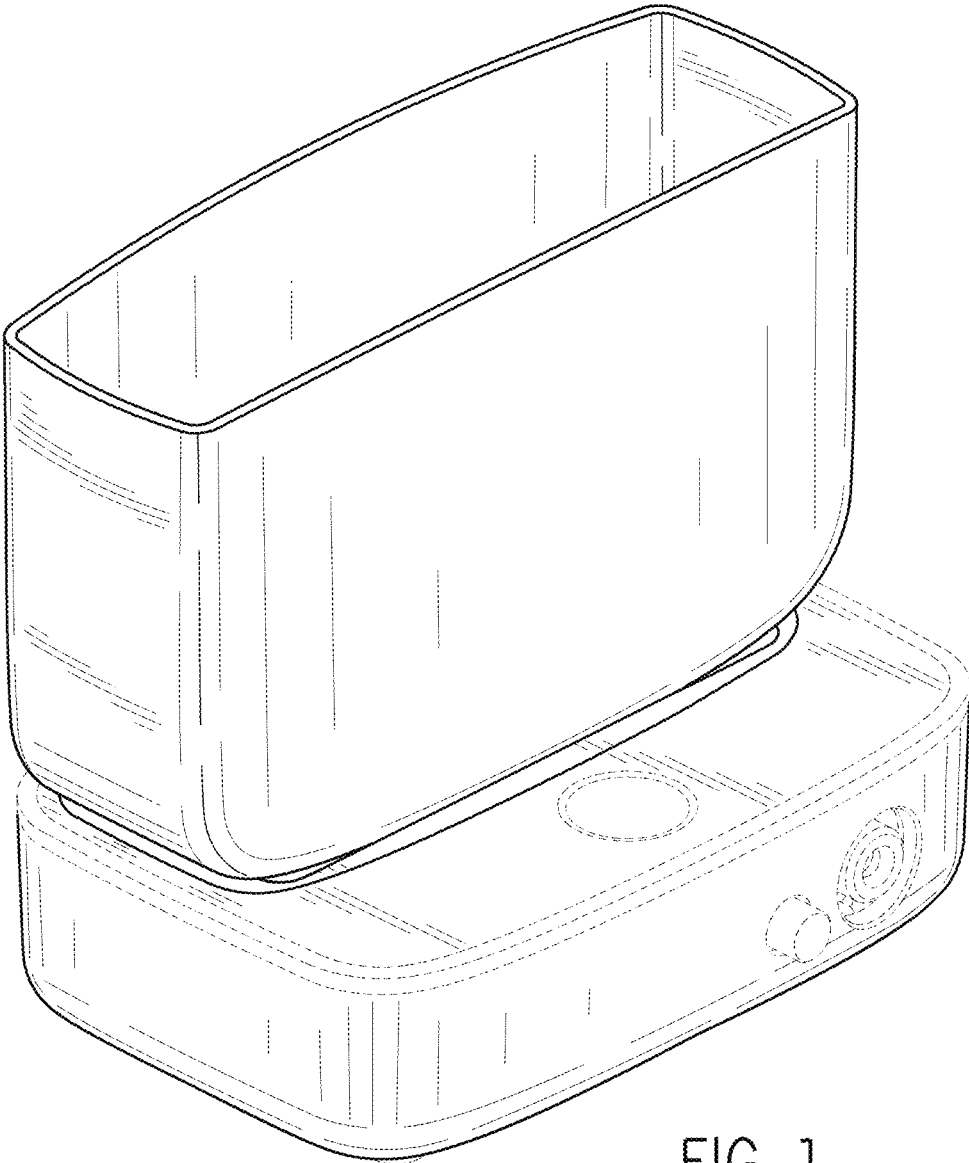


FIG. 1

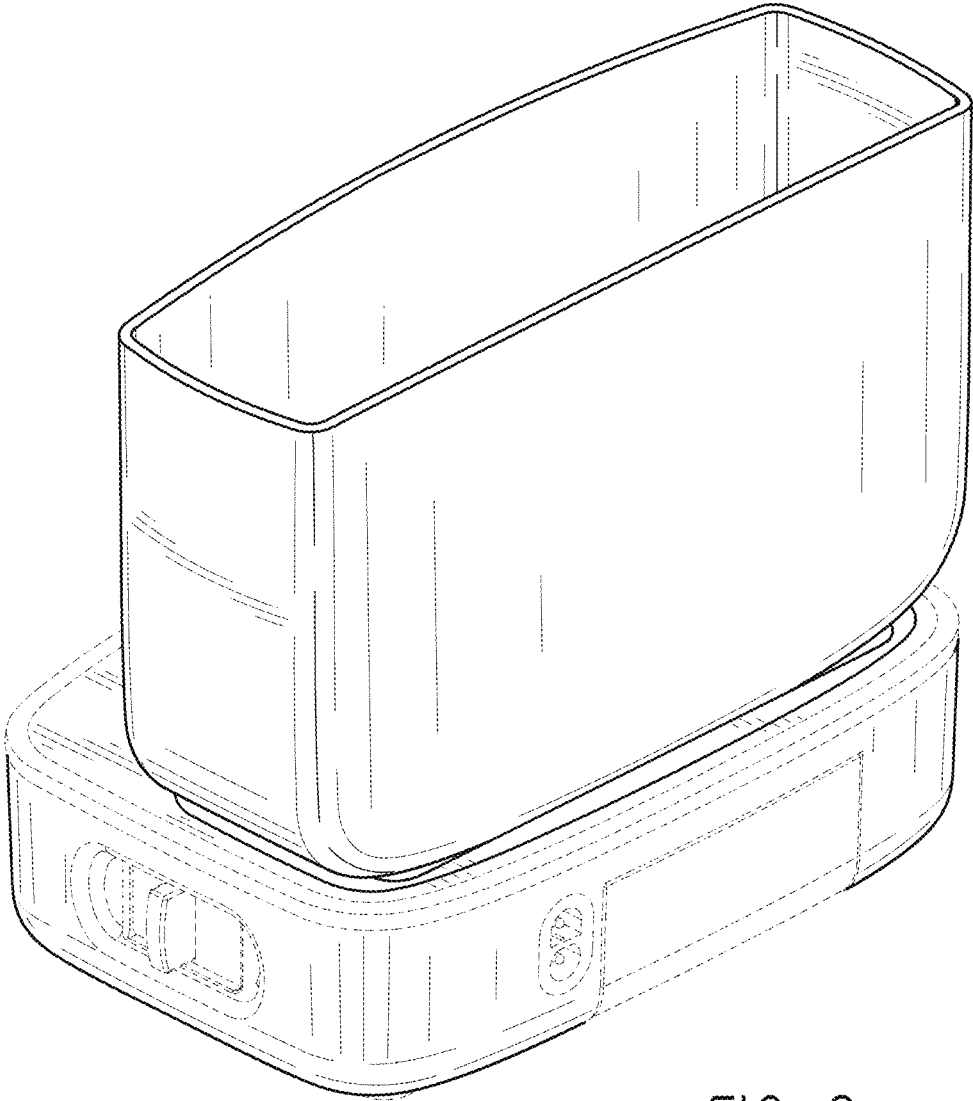


FIG. 2



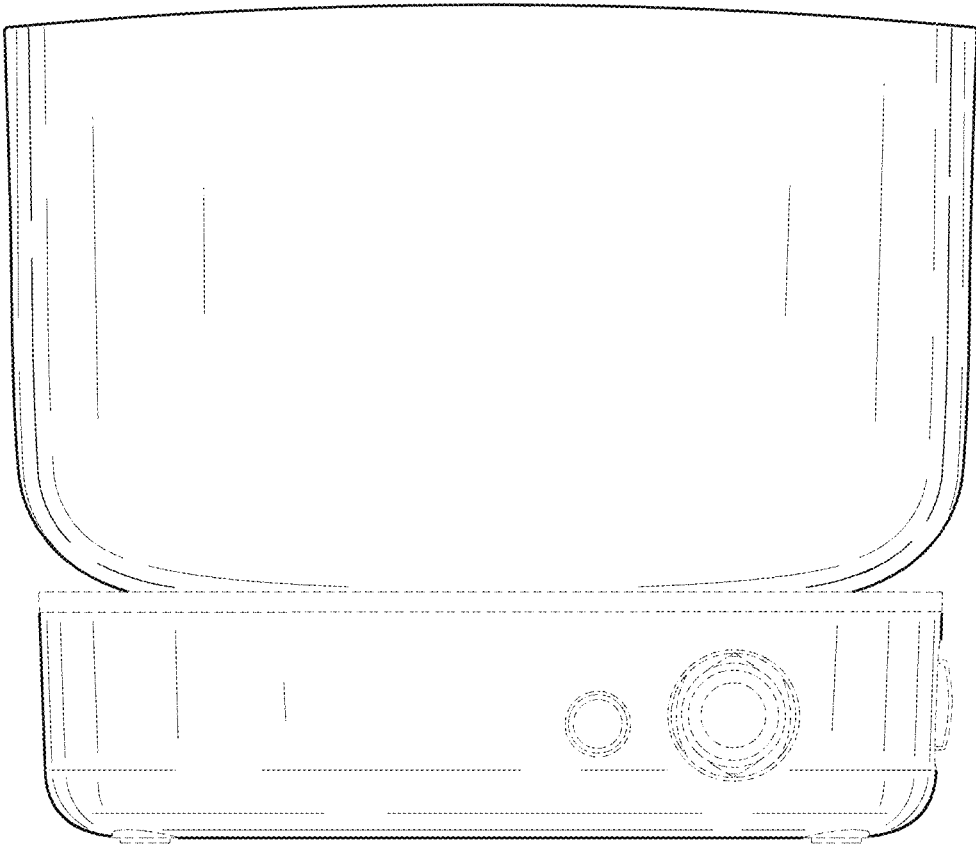


FIG. 3

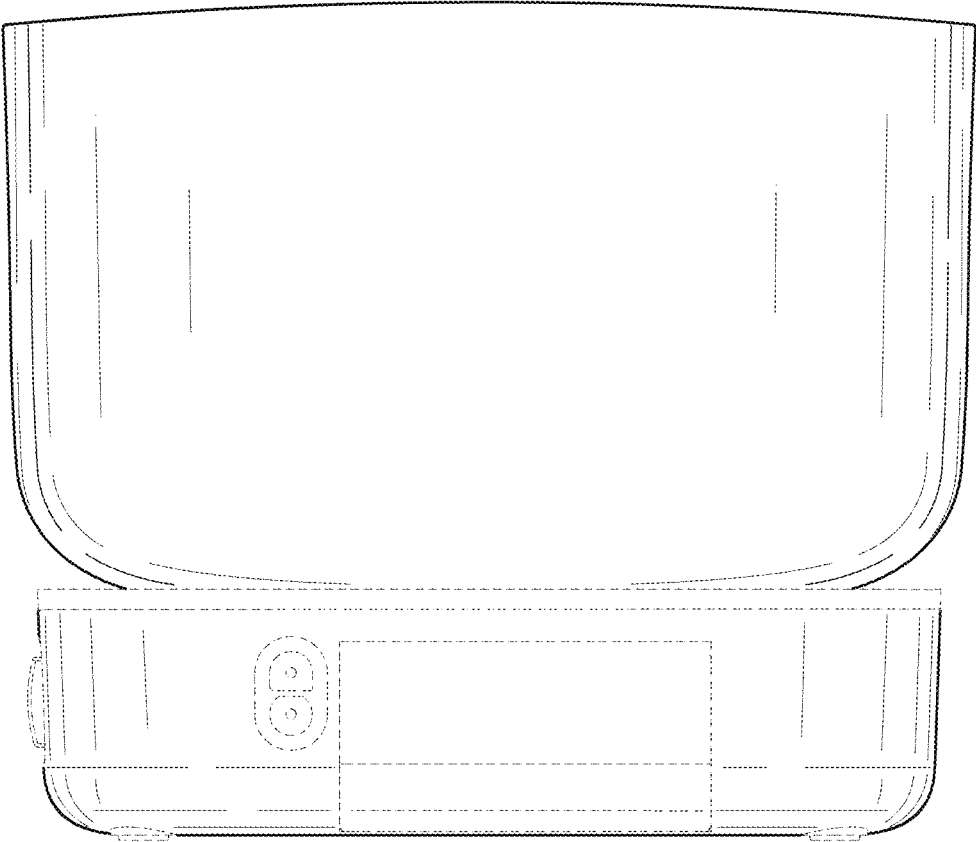


FIG. 4

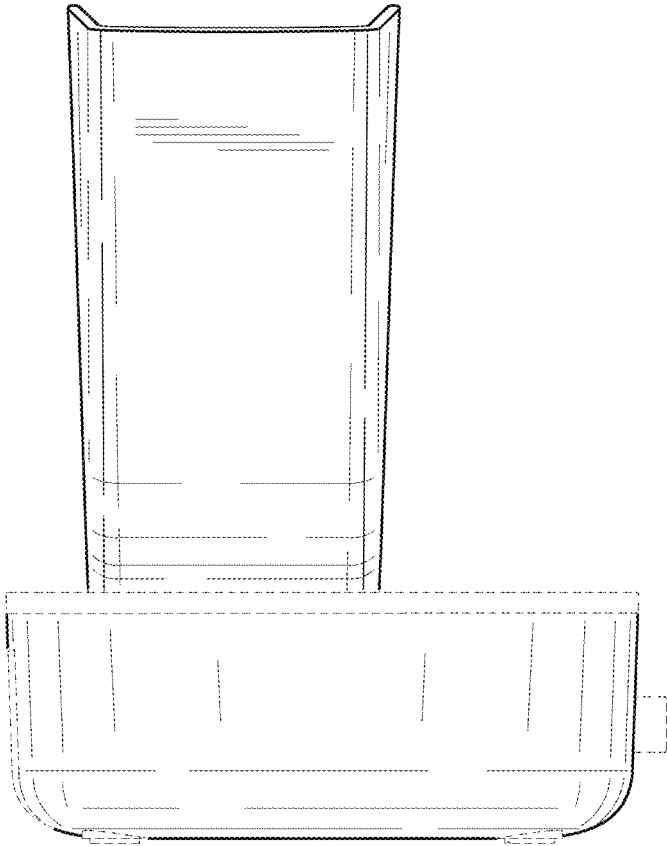


FIG. 5

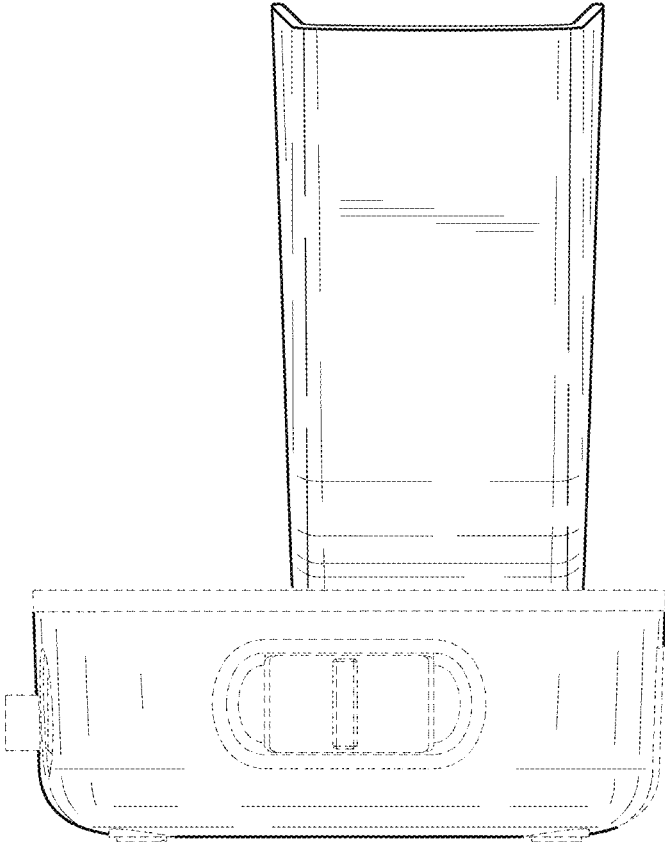


FIG. 6

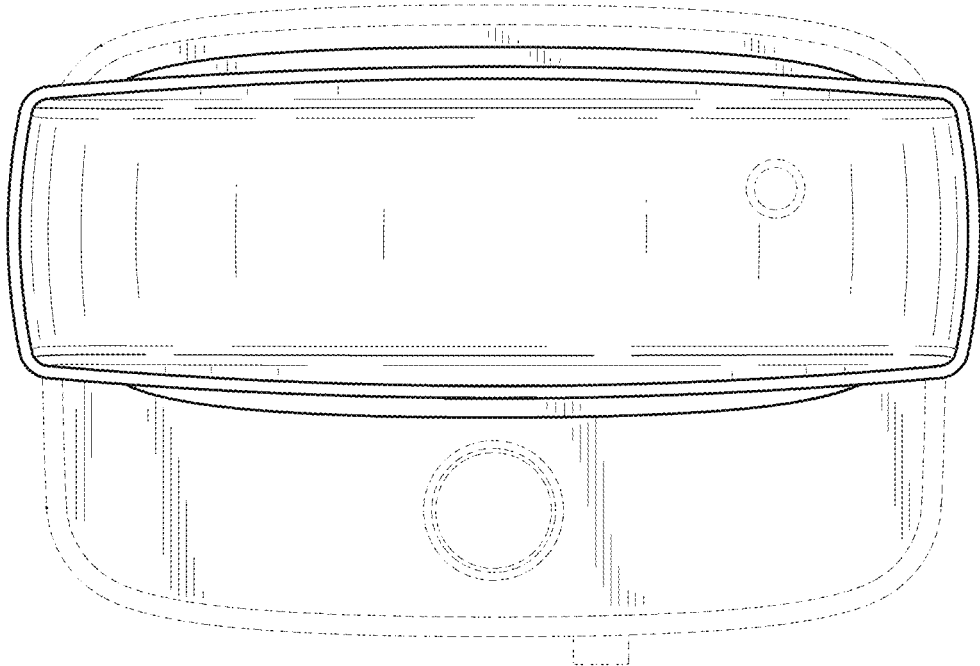


FIG. 7

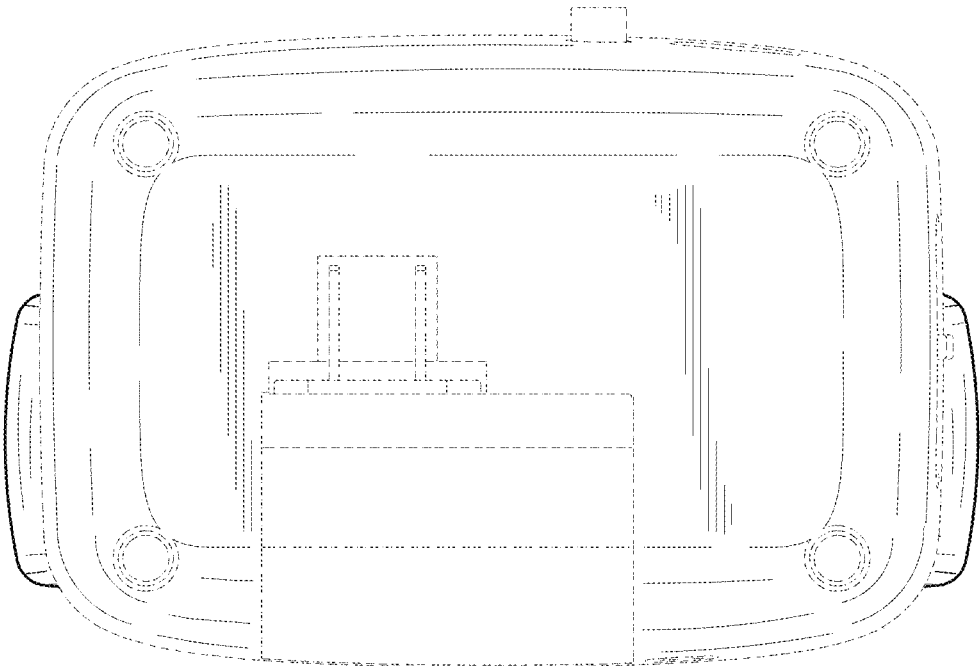


FIG. 8