

(19) World Intellectual Property
Organization
International Bureau



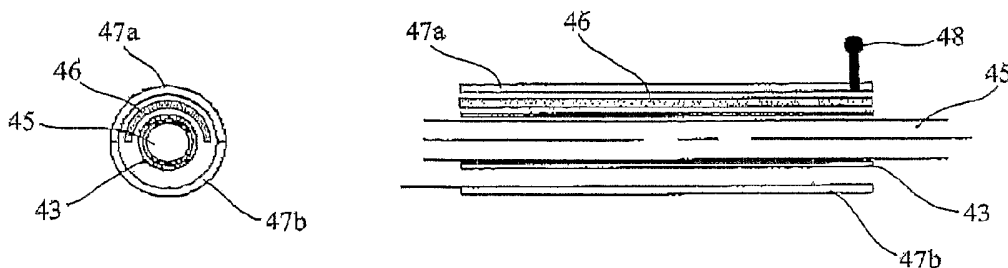
(43) International Publication Date
1 September 2005 (01.09.2005)

PCT

(10) International Publication Number
WO 2005/079917 A1

- (51) International Patent Classification⁷: **A61N 5/06**
- (21) International Application Number:
PCT/KR2004/000773
- (22) International Filing Date: 2 April 2004 (02.04.2004)
- (25) Filing Language: Korean
- (26) Publication Language: English
- (30) Priority Data:
10-2004-0012778
25 February 2004 (25.02.2004) KR
- (71) Applicant and
(72) Inventor: **LEE, Young-Su** [KR/KR]; Beoksanbloomming
202-504, 334 Gocheok 1-dong, Guro-gu, 152-837 Seoul
(KR).
- (74) Agent: **KIM, Seog-Hyun**; 9th Floor, Daekyung Building,
2-ka, Taepyung-ro, Chung-ku, Seoul 100-724 (KR).
- (81) Designated States (unless otherwise indicated, for every
kind of national protection available): AE, AG, AL, AM,
AT, AU, AZ, BA, BB, BG, BR, BW, BY, BZ, CA, CH, CN,
CO, CR, CU, CZ, DE, DK, DM, DZ, EC, EE, EG, ES, FI,
GB, GD, GE, GH, GM, HR, HU, ID, IL, IN, IS, JP, KE,
KG, KP, KZ, LC, LK, LR, LS, LT, LU, LV, MA, MD, MG,
MK, MN, MW, MX, MZ, NA, NI, NO, NZ, OM, PG, PH,
PL, PT, RO, RU, SC, SD, SE, SG, SK, SL, SY, TJ, TM, TN,
TR, TT, TZ, UA, UG, US, UZ, VC, VN, YU, ZA, ZM, ZW.
- (84) Designated States (unless otherwise indicated, for every
kind of regional protection available): ARIPO (BW, GH,
GM, KE, LS, MW, MZ, SD, SL, SZ, TZ, UG, ZM, ZW),
Eurasian (AM, AZ, BY, KG, KZ, MD, RU, TJ, TM), Euro-
pean (AT, BE, BG, CH, CY, CZ, DE, DK, EE, ES, FI, FR,
GB, GR, HU, IE, IT, LU, MC, NL, PL, PT, RO, SE, SI, SK,
TR), OAPI (BF, BJ, CF, CG, CI, CM, GA, GN, GQ, GW,
ML, MR, NE, SN, TD, TG).
- Published:**
— with international search report
- For two-letter codes and other abbreviations, refer to the "Guidance Notes on Codes and Abbreviations" appearing at the beginning of each regular issue of the PCT Gazette.*

(54) Title: INTENSE PULSE LIGHT DEVICE HAVING INDIVIDUAL ROTATIONAL LIGHT FILTERS THEREIN



(57) Abstract: Disclosed is an intense pulse light device, in which plural divided light filters coated with individually different materials are rotatably and uniformly aligned around a reflection mirror in order to selectively filter lights according to wavelengths thereof, so that it is not necessary to exchange a handle body or filters, thereby improving convenience of use for the IPL device, and in which the loose contact of power lines and signal lines, leakage of cooling water, and penetration of impurities can be prevented, thereby improving reliability of IPL device. A semicircular reflection mirror aligned around a flash lamp installed in a body and a light filter section is aligned around the reflection mirror while forming a predetermined space therebetween. The light filter section is uniformly divided into two or four light filters so as to increase selectivity for the light radiated from flash lamp. The light filter section is fabricated by uniformly dividing a circular pipe made from glass, quartz or sapphire into plural pipe sections, coating the plural pipe sections with individually different materials in such a manner that only light having a predetermined wavelength passes therethrough, and bonding the plural pipe sections to each other.

WO 2005/079917 A1

INTENSE PULSE LIGHT DEVICE HAVING INDIVIDUAL ROTATIONAL LIGHT FILTERS THEREIN

Technical Field

5 The present invention relates to an intense pulse light (IPL) device used for caring a skin, and more particularly to an IPL device, in which plural divided light filters coated with individually different materials are rotatably and uniformly aligned around a reflection mirror in order to selectively filter lights according to their wavelengths, so that it is not necessary to exchange a handle body or filters, thereby
10 improving convenience of use for the IPL device, and in which the loose contact of power lines and signal lines, leakage of cooling water, and penetration of impurities can be prevented, thereby improving reliability of the IPL device.

 The present invention also relates to a method for exchanging a rotational light filter of an IPL device adaptable for caring a skin with superior reliability by
15 preventing the loose contact of power lines and signal lines, leakage of cooling water, and penetration of impurities.

Background Art

 A conventional IPL device used for caring a skin includes a main instrument,
20 a foot switch used for controlling irradiation of light, and a handle. The main instrument has an automatic control panel, a power source and a cooling system. In order to exchange a filter accommodated in the handle of the IPL device, a handle bundle or an auxiliary filter must be exchanged.

 However, according to the conventional filter exchange scheme, the light
25 filters must be mechanically or electrically rotated in order to exchange the handle bundle or the auxiliary filter, causing inconvenience of filter exchange work. In

addition, the loose contact of power lines and signal lines, leakage of cooling water, and penetration of impurities may occur after the filter exchange work has been completed.

FIGS. 5a and 5b show a conventional IPL device 10.

5 Referring to FIG. 5A, the conventional IPL device 10 mainly includes a body 11, a plurality of optical tube connectors 12a and 12b detachably coupled to the body 11, a plurality of cooling water circulation pipes 13 extending by passing through the body 11 and the optical tube connectors 12a and 12b, and an electric cable 14 extending between the body 11 and an external power source.

10 Referring to FIG. 5B, a primary optical tube 21 and a secondary optical tube 22 are installed in the optical tube connectors 12a and 12b and the body 11. That is, the primary optical tube 21 and the secondary optical tube 22 are accommodated in the optical tube connectors 12a and 12b, which are coupled with each other by means of a plurality of bolts and nuts, and fixedly inserted to the body 11.

15 FIG. 6A is a schematic view illustrating an internal structure of the conventional IPL device.

Referring to FIG. 6A, a pipe-shaped flash lamp 15, which is a light source, is longitudinally aligned in the body 11. In addition, the cooling water circulation pipe 13 is aligned around the flash lamp 15 in order to cool the flash lamp 15, and a
20 semicircular reflection mirror 16 is aligned around the cooling water circulation pipe 13.

An optical tube assembly 20 is disposed below the flash lamp 15 in the body 11 of the IPL device 10 (see, FIG. 5B) so as to emit the light radiated from the flash lamp 15 to the exterior.

25 FIG. 6B is a schematic view illustrating a structure of the optical tube assembly of the conventional IPL device.

Referring to FIG. 6B, the optical tube assembly 20 includes the primary optical tube 21, the secondary optical tube 22, and a TEM 23, which is a thermoelectric module capable of cooling the primary and secondary optical tubes 21 and 22. Light radiated from the flash lamp 15 installed in the body 11 is emitted to the exterior vertically to the body 11 through the primary and secondary optical tubes 21 and 22. The light emitted to the exterior radiates onto the skin of the patient through the secondary optical tube 22, which is aligned adjacent to the skin of the patient.

The conventional IPL device 10 having the above construction can radiate lights having various wavelengths, such as 560 to 1200nm (for skin care), 590 to 1200nm (for vascular lesion), 640 to 1200nm (for hair removal), and 700 to 1200nm (for hair removal), according to the purpose of the skin care. In addition, the optical tube assembly 20 must be disassembled from or reassembled into the body according to the purpose of the skin care.

Therefore, not only it is inconvenient to use the conventional IPL device, but also the loose contact of the power line or the signal line, leakage of cooling water and penetration of impurities may occur.

FIG. 7A is a schematic view illustrating a structure of an optical tube assembly of another conventional IPL device.

The optical tube assembly 30 shown in FIG. 7A is similar to the optical tube assembly 20 shown in FIG. 6B except that the optical tube assembly 30 shown in FIG. 7A has a primary optical tube 31 larger than a secondary optical tube 32 and the secondary optical tube 32 is detachably coupled to a lower portion of the primary optical tube 31.

The optical tube assembly 30 includes a primary optical tube 31, a secondary optical tube 32, and a TEM 33, which is a thermoelectric module capable of cooling the primary and secondary optical tubes 31 and 32. Light radiated from the flash lamp

15 installed in the body 11 is emitted to the exterior vertically to the body 11 through the primary and secondary optical tubes 31 and 32. The light emitted to the exterior is radiated onto a skin of a patient through the secondary optical tube 32, which is aligned adjacent to the skin of the patient.

5 FIG. 7B is a schematic view illustrating a structure of the IPL device having the optical tube assembly 30 as shown in FIG. 7A.

As shown in FIG. 7B, the secondary optical tube 32 of the optical tube assembly 30 is slidably and detachably installed in a filter guide holder 34, which is integrally formed with lower portions of the optical tube connectors 12a and 12b.

10 In the conventional IPL device 10 having the above construction, the secondary optical tube 32, which is a main filter, is slidably exchanged. However, impurities may penetrate into the IPL device 10 or the filter may be damaged when the filter has been exchanged. In this case, it is impossible to normally perform the skin care.

15

Disclosure of the Invention

Therefore, the present invention has been made in view of the above-mentioned problems, and it is an object of the present invention to provide an IPL device used for caring a skin, in which wavelength-selective filters are rotatably
20 installed, thereby improving convenience of use for the IPL device, and in which the loose contact of power lines and signal lines, leakage of cooling water, and penetration of impurities can be prevented.

In order to accomplish the above object, there is provided an IPL device comprising: a body; a flash lamp having a pipe shape and being installed in the body;
25 a cooling water circulation pipe aligned around the flash lamp; a semicircular reflection mirror aligned at an outer portion of the cooling water circulation pipe; an

optical tube assembly installed in the body in order to emit light radiated from the flash lamp to an exterior; and a light filter section aligned around the reflection mirror while forming a predetermined space therebetween.

According to the preferred embodiment of the present invention, the light
5 filter section is uniformly divided into plural light filters so as to increase selectivity for the light radiated from the flash lamp.

The light filter section is rotatably with respect to the flash lamp and is uniformly divided into two or four light filters.

The light filter section is fabricated by uniformly dividing a circular pipe into
10 plural pipe sections, coating the plural pipe sections with individually different materials in such a manner that only light having a predetermined wavelength passes therethrough, and bonding the plural pipe sections to each other.

In the above IPL device, plural divided light filters coated with individually different materials are rotatably and uniformly aligned around a reflection mirror in
15 order to selectively filter lights according to wavelengths thereof, so that it is not necessary to exchange a handle body or filters, thereby improving convenience of use for the IPL device. In addition, the loose contact of power lines and signal lines, leakage of cooling water, and penetration of impurities can be prevented, thereby improving reliability of the IPL device.

20

Brief Description of the Drawings

The foregoing and other objects, features and advantages of the present invention will become more apparent from the following detailed description when taken in conjunction with the accompanying drawings in which:

25 FIG. 1 is a schematic view of an IPL device according to one embodiment of the present invention;

FIG. 2A is a schematic view illustrating an internal structure of an IPL device according to one embodiment of the present invention;

FIG. 2B is a schematic view illustrating a structure of an optical tube assembly of an IPL device according to one embodiment of the present invention;

5 FIG. 3 is a view illustrating a procedure for manufacturing a filter section according to one embodiment of the present invention;

FIG. 4 is a view illustrating a procedure for manufacturing a filter section according to another embodiment of the present invention;

10 FIGS. 5A and 5B are views illustrating conventional IPL devices, respectively;

FIG. 6A is a view illustrating an internal structure of a conventional IPL device;

FIG. 6B is a view illustrating a structure of an optical tube assembly of a conventional IPL device;

15 FIG. 7A is a view illustrating a structure of an optical tube assembly of another conventional IPL device; and

FIG. 7B is a view illustrating the structure of an IPL device shown in FIG. 7A.

20 **Best Mode for Carrying Out the Invention**

Hereinafter, an IPL device according to a preferred embodiment of the present invention will be described with reference to accompanying drawings.

FIG. 1 is a schematic view of an IPL device according to one embodiment of the present invention.

25 Referring to FIG. 1, the IPL device 40 according to the present invention mainly includes a body 41, a plurality of optical tube supporters 42a and 42b

detachably coupled to the body 41, a plurality of cooling water circulation pipes 43 extending by passing through the body 41 and the optical tube supporters 42a and 42b, and an electric cable (not shown) extending between the body 41 and an external power source.

5 FIG. 2A is a schematic view illustrating an internal structure of the IPL device 40 according to the present invention.

Referring to FIG. 2A, a pipe-shaped flash lamp 45, which is a light source, is longitudinally aligned in the body 41 of the IPL device 40, the cooling water circulation pipe 43 is aligned around the flash lamp 45 in order to cool the flash lamp
10 45, and a semicircular reflection mirror 46 is aligned at a radially outer portion of the cooling water circulation pipe 43. In addition, a pair of rotational light filters 47a and 47b having semicircular shapes are aligned around a reflection mirror 46. A rotating stick 48 is integrally formed with the rotational light filters 47a and 47b in order to rotate the rotational light filters 47a and 47b.

15 FIG. 3 is a view illustrating a procedure for manufacturing the rotational light filters 47a and 47b shown in FIG. 2A.

Referring to FIG. 3, differently from the conventional filter capable of filtering only one wavelength, the rotational light filters 47a and 47b can selectively filter multiple wavelengths. To this end, as shown in FIG. 3, a circular pipe made from
20 glass, quartz or sapphire is uniformly divided into two pipe sections. The two pipe sections are coated with individually different materials in such a manner that only light having a predetermined wavelength may pass therethrough. Then, the two pipe sections are bonded to each other.

FIG. 4 is a view illustrating a procedure for manufacturing a filter section
25 according to another embodiment of the present invention.

Referring to FIG. 4, differently from the filter section shown in FIG. 3, which

is divided into the light filters 47a and 47b, the filter section shown FIG. 4 is divided into four light filters in order to increase selectivity for wavelengths of the light. To this end, as shown in FIG. 4, a circular pipe made from glass, quartz or sapphire is uniformly divided into four pipe sections. The four pipe sections are coated with
5 individually different materials in such a manner that only light having a predetermined wavelength may pass therethrough. Then, the four pipe sections are bonded to each other.

Although FIGS. 3 and 4 show the filter section divided into two light filters and four light filters, respectively, it can be easily understood to those skilled in the art
10 that the filter section can be divided into six light filters, eight filters or twelve filters.

In addition, an optical tube assembly 50 is aligned below the flash lamp 45 installed in the body 41 of the IPL device 40 in order to emit the light radiated from the flash lamp 45 to the exterior.

FIG. 2B is a schematic view illustrating a structure of an optical tube
15 assembly of an IPL device according to one embodiment of the present invention.

Referring to FIG. 2B, the optical tube assembly 50 includes a primary optical tube 51, a secondary optical tube 52, and a TEM 53, which is a thermoelectric module capable of cooling the primary and secondary optical tubes 51 and 52. Light radiated from a flash lamp 55 installed in the body 41 is introduced towards the primary and
20 secondary optical tubes 51 and 52 through a semicircular reflection mirror 46.

At this time, the light is divided according to the wavelength thereof while passing through the rotational light filters 47a and 47b coated with individually different materials. That is, after dividing the light based on the wavelength thereof by rotating the rotational light filters 47a and 47b using the rotating stick 48 integrally
25 coupled with the rotational light filters 47a and 47b, the light is emitted to the exterior vertically to the body 41 through the primary and secondary optical tubes 51 and 52.

The light emitted to the exterior is radiated onto a skin of a patient through the secondary optical tube 52, which is aligned adjacent to the skin of the patient.

Industrial Applicability

5 As can be seen from the foregoing, according to the IPL device of the present invention, plural divided light filters coated with individually different materials are rotatably and uniformly aligned around the reflection mirror in order to selectively filter lights according to wavelengths thereof, so that it is not necessary to exchange a handle body or filters, thereby improving convenience of use for the IPL device. In
1.0 addition, the loose contact of power lines and signal lines, leakage of cooling water, and penetration of impurities can be prevented, thereby improving reliability of the IPL device.

While this invention has been described in connection with what is presently considered to be the most practical and preferred embodiment, it is to be understood
1.5 that the invention is not limited to the disclosed embodiment and the drawings, but, on the contrary, it is intended to cover various modifications and variations within the spirit and scope of the appended claims.

filter section is fabricated by uniformly dividing a circular pipe into plural pipe sections, coating the plural pipe sections with individually different materials in such a manner that only light having a predetermined wavelength passes therethrough, and bonding the plural pipe sections to each other.

5

Claims

1. An intense pulse light device comprising:
a body;
5 a flash lamp having a pipe shape and being installed in the body;
a cooling water circulation pipe aligned around the flash lamp;
a semicircular reflection mirror aligned at an outer portion of the cooling
water circulation pipe;
an optical tube assembly installed in the body in order to emit light radiated
10 from the flash lamp to an exterior; and
a light filter section aligned around the reflection mirror while forming a
predetermined space therebetween.
2. The intense pulse light device as claimed in claim 1, wherein the light filter
15 section is uniformly divided into plural light filters so as to increase selectivity for the
light radiated from the flash lamp.
3. The intense pulse light device as claimed in claim 2, wherein the light filter
20 section is rotatably with respect to the flash lamp and is uniformly divided into two
light filters.
4. The intense pulse light device as claimed in claim 2, wherein the light filter
section is rotatably with respect to the flash lamp and is uniformly divided into four
light filters.
25
5. The intense pulse light device as claimed in claim 3 or 4, wherein the light

FIG. 1

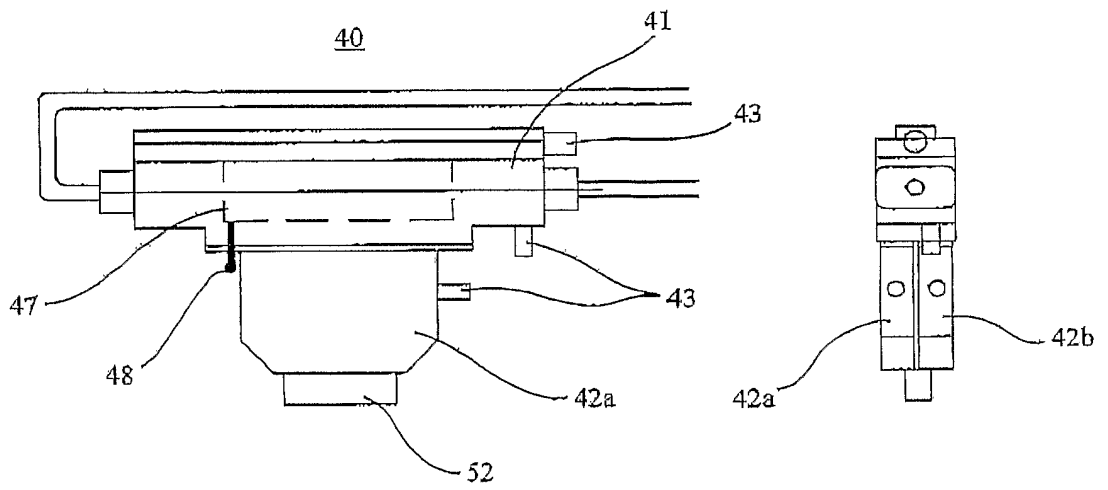


FIG. 2A

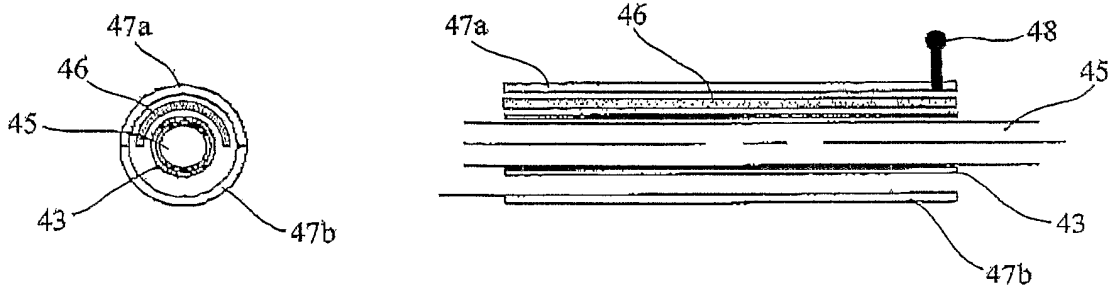


FIG. 2B

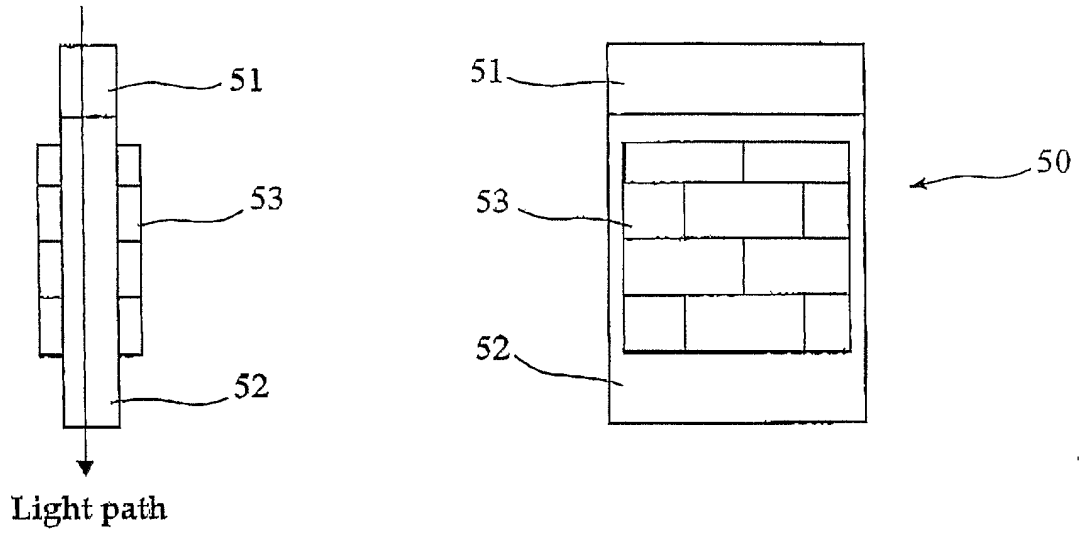


FIG. 3

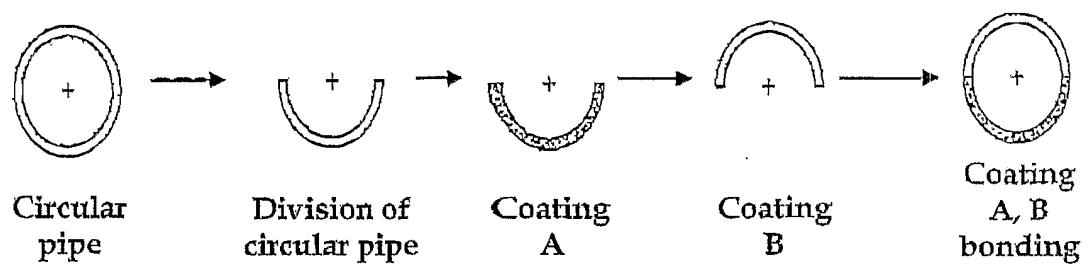


FIG. 4

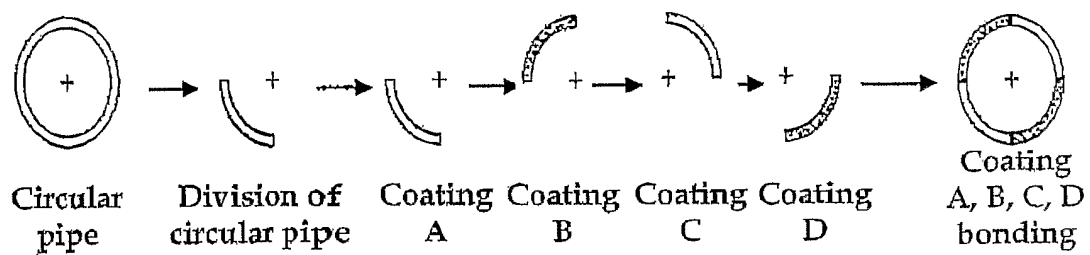


FIG. 5A

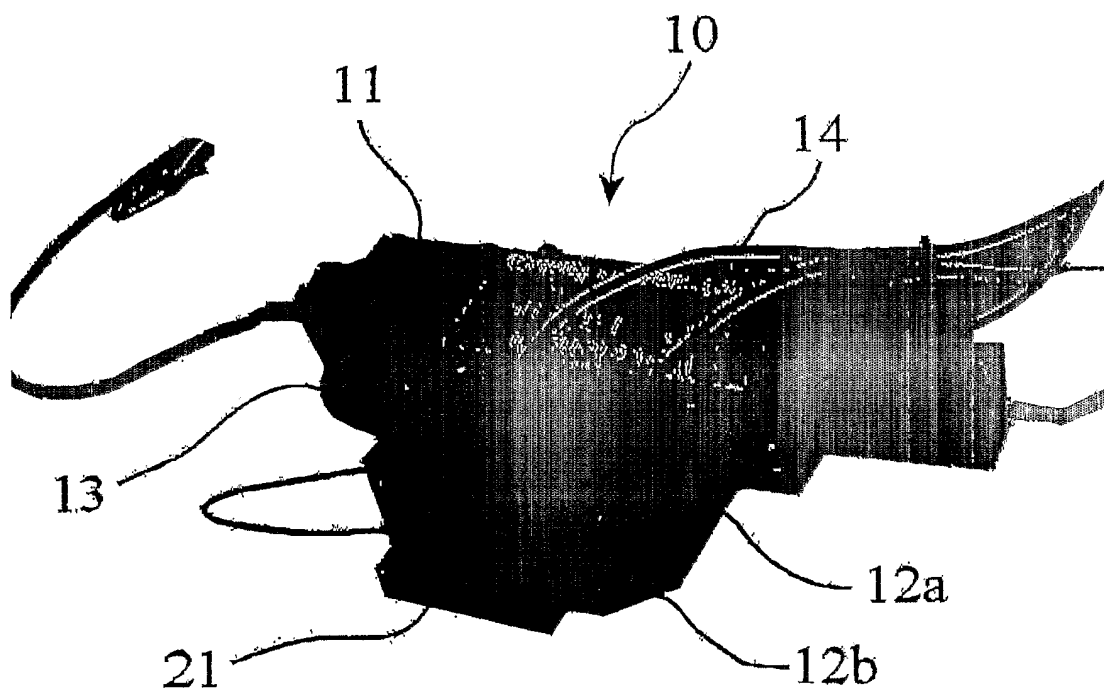


FIG. 5B



FIG. 6A

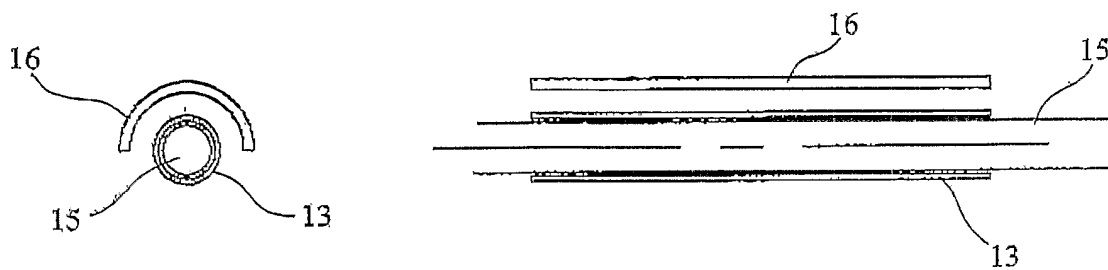


FIG. 6B

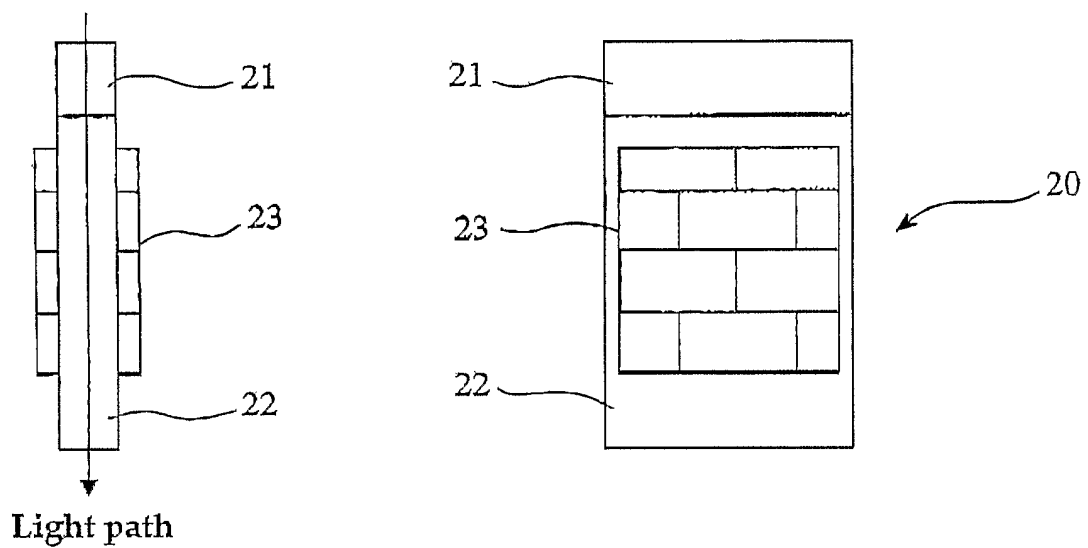


FIG. 7A

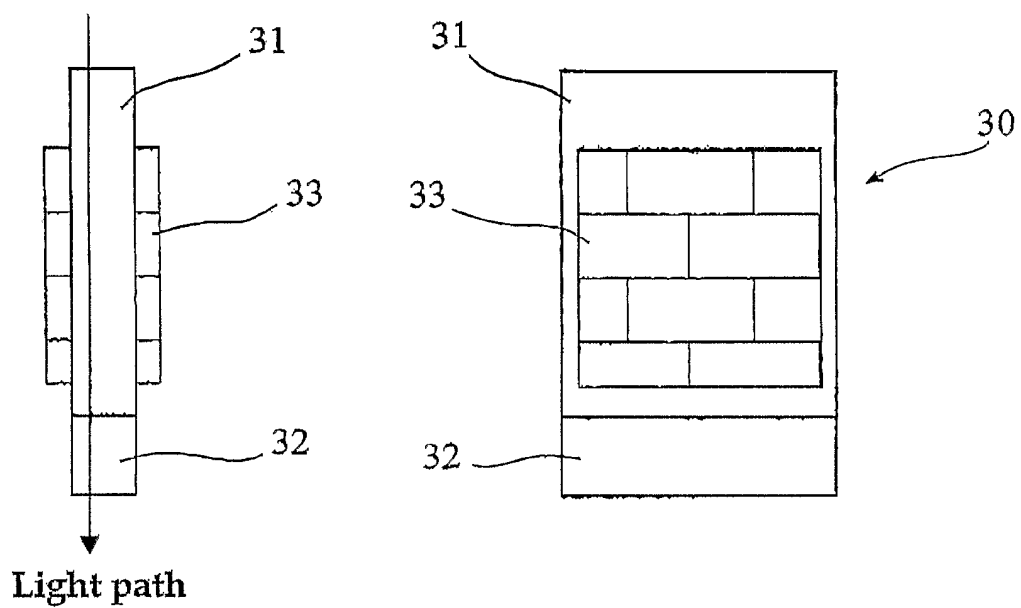
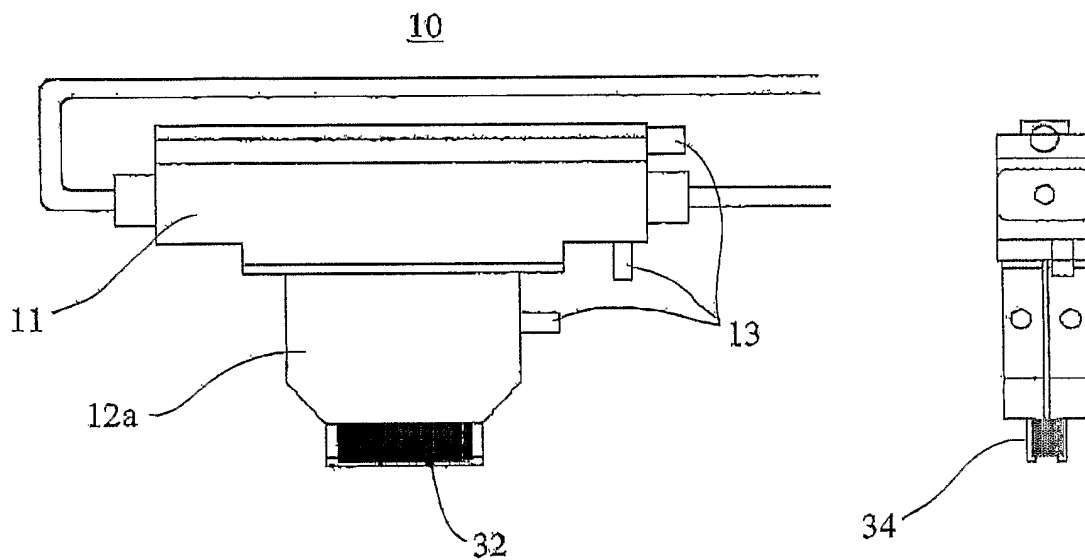


FIG. 7B



INTERNATIONAL SEARCH REPORT

International application No.
PCT/KR2004/000773**A. CLASSIFICATION OF SUBJECT MATTER****IPC7 A61N 5/06**

According to International Patent Classification (IPC) or to both national classification and IPC

B. FIELDS SEARCHED

Minimum documentation searched (classification system followed by classification symbols)

IPC7 A61N 5/06, A61N 33/00, A61B 18/20, A61B 18/18, G01B 11/00

Documentation searched other than minimum documentation to the extent that such documents are included in the fields searched

Korean Patents and Applications for Inventions since 1975
Korean Utility Models and Applications for Utility Models since 1975
Japanese Utility Models and Applications for Utility Models since 1975

Electronic data base consulted during the international search (name of data base and, where practicable, search terms used)

eKIPASS, WPI, USPTO, PAJ, CAPLUS(STN), INSPECT "pulsed, light, wavelength, device, apparatus, article, machine, skin, treat, filter, rotation, select*, thermolysis, coat*, reflect*, mirror"

C. DOCUMENTS CONSIDERED TO BE RELEVANT

Category*	Citation of document, with indication, where appropriate, of the relevant passages	Relevant to claim No.
A	US 6613040 B2 (Tankovichi, N., US) 02 Sep 2003 - see the entire document	1-5
A	US 6214034 B1 (Radiancy, Inc., US) 10 Apr 2001 - see the entire document	1-5
A	WO 91/15264 A1 (Gustafsson, M., SE) 17 Oct 1991 - see the entire document	1-5
A	US 6383177 B1 (Asah Medico A/S, DK) 07 May 2002 - see the entire document	1-5
A	US 2003/0004499 A1 (McDaniel, D.H., US) 02 Jan 2003 - see the entire document	1-5
A	US 6461866 B1 (Photo Therapeutics Ltd., GB) 08 Oct 2002 - see the entire document	1-5
A	US 5552892 A (Nikon Corp., JP) 03 Sep 1996 - see the entire document	1-5

 Further documents are listed in the continuation of Box C. See patent family annex.

* Special categories of cited documents:

"A" document defining the general state of the art which is not considered to be of particular relevance

"E" earlier application or patent but published on or after the international filing date

"L" document which may throw doubts on priority claim(s) or which is cited to establish the publication date of citation or other special reason (as specified)

"O" document referring to an oral disclosure, use, exhibition or other means

"P" document published prior to the international filing date but later than the priority date claimed

"T" later document published after the international filing date or priority date and not in conflict with the application but cited to understand the principle or theory underlying the invention

"X" document of particular relevance; the claimed invention cannot be considered novel or cannot be considered to involve an inventive step when the document is taken alone

"Y" document of particular relevance; the claimed invention cannot be considered to involve an inventive step when the document is combined with one or more other such documents, such combination being obvious to a person skilled in the art

"&" document member of the same patent family

Date of the actual completion of the international search

14 DECEMBER 2004 (14.12.2004)

Date of mailing of the international search report

14 DECEMBER 2004 (14.12.2004)

Name and mailing address of the ISA/KR

Korean Intellectual Property Office
920 Dunsan-dong, Seo-gu, Daejeon 302-701,
Republic of Korea

Facsimile No. 82-42-472-7140

Authorized officer

SHIN, Weon Hye

Telephone No. 82-42-481-8155



INTERNATIONAL SEARCH REPORT

Information on patent family members

International application No.

PCT/KR2004/000773

Patent document cited in search report	Publication date	Patent family member(s)	Publication date
US 6613040 B2	02 Sep 2003	none	
US 6214034 B1	10 Apr 2001	none	
WO 91/15264 A1	17 Oct 1991	SE 9001298 A0 US 5320618 A EP 533686 A1	09 Apr 1990 14 Jun 1994 31 Mar 1993
US 6383177 B1	07 May 2002	JP 2001514057 T2 WO 9911324 A1 EP 1009485 A1 DK 1009485 R1	11 Sep 2001 11 Mar 1999 21 Jun 2000 21 Jun 2000
US 2003/0004499 A1	02 Jan 2003	none	
US 6461866 B1	08 Oct 2002	GB 9222245 A0 WO 9409850 A1 EP 618824 A1 DE 69333153 C0	09 Dec 1992 11 May 1994 12 Oct 1994 25 Sep 2003
US 5552892 A	03 Sep 1996	JP 7321022 A2	18 Dec 1995