



US00D435853S

(12) **United States Design Patent**  
Mehta et al.

(10) **Patent No.:** **US D435,853 S**

(45) **Date of Patent:** **\*\* Jan. 2, 2001**

(54) **CD CARD**

5,882,555 \* 3/1999 Rohde et al. .  
5,982,736 \* 11/1999 Pierson .

(75) Inventors: **Jimit H. Mehta**, Encinitas; **Jason D. Coker**, Escondido, both of CA (US)

\* cited by examiner

(73) Assignee: **Spike Interactive LLC**, Escondido, CA (US)

*Primary Examiner*—M. H. Tung

(74) *Attorney, Agent, or Firm*—Brown Martin Haller & McClain LLP

(\*\*) Term: **14 Years**

(57) **CLAIM**

(21) Appl. No.: **29/096,209**

The ornamental design for a CD card, as shown and described.

(22) Filed: **Nov. 6, 1998**

(51) **LOC (7) Cl.** ..... **14-02**

(52) **U.S. Cl.** ..... **D14/478**

(58) **Field of Search** ..... D14/114, 120,  
D14/100; 395/186; 360/135, 133, 97.01-99.12;  
D19/9, 10; 369/272-3, 282-8

**DESCRIPTION**

FIG. 1 is a top perspective view of a CD card showing our new design, on a reduced scale;

FIG. 2 is a bottom plan view thereof;

FIG. 3 is a side elevational view thereof, the opposite side is identical;

FIG. 4 is a bottom plan view of a second embodiment thereof;

FIG. 5 is a bottom plan view of a third embodiment thereof;

FIG. 6 is a bottom plan view of a fourth embodiment thereof; and,

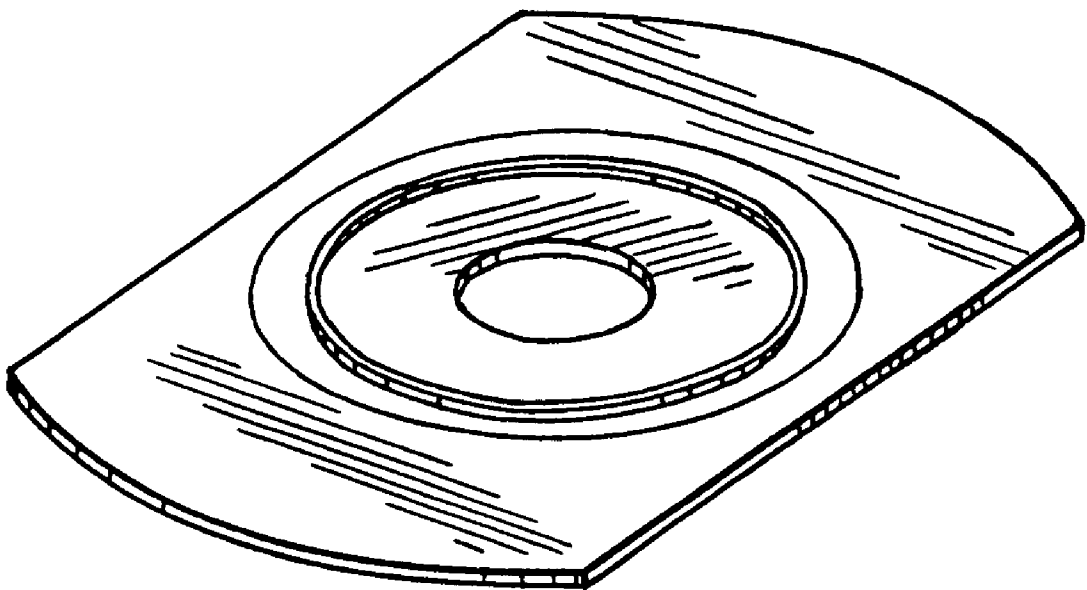
FIG. 7 is an end elevational view thereof, the opposite end is identical.

(56) **References Cited**

**U.S. PATENT DOCUMENTS**

- D. 394,648 \* 5/1998 Rohde .
- D. 418,502 \* 1/2000 Friday .
- D. 419,151 \* 1/2000 Koedel .
- D. 419,152 \* 1/2000 Lowenstein .
- 4,812,633 \* 3/1989 Vogelgesang et al. .
- 5,579,296 \* 11/1996 Smith et al. .
- 5,852,598 \* 12/1998 Wiest .

**1 Claim, 1 Drawing Sheet**



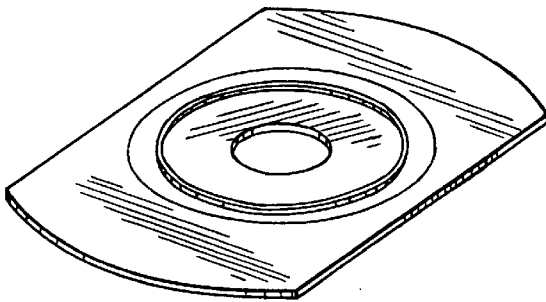


FIG. 1

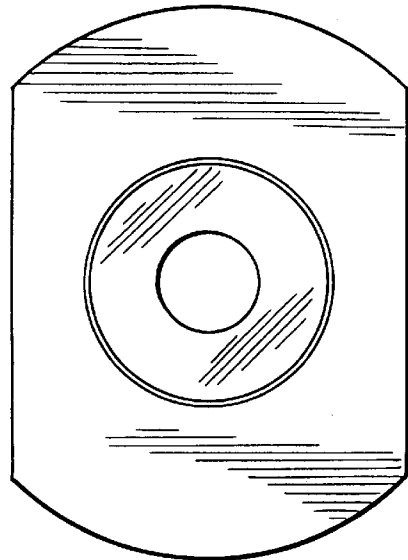


FIG. 2

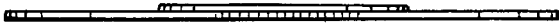


FIG. 3

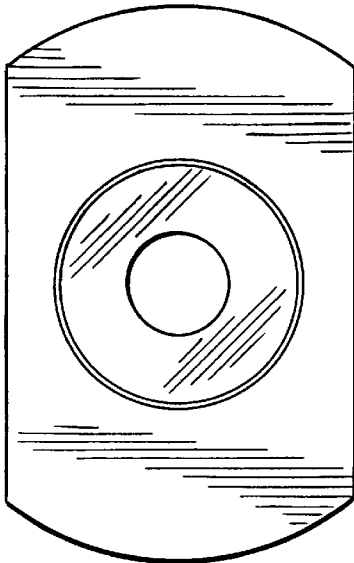


FIG. 4

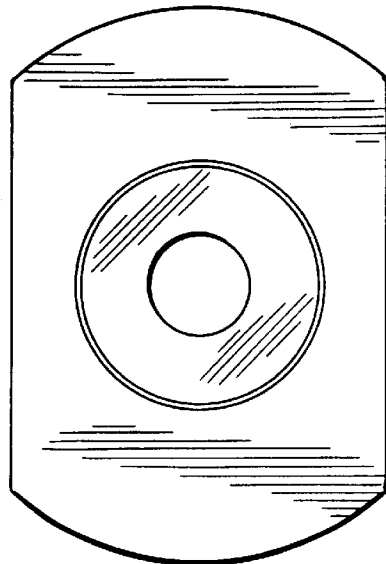


FIG. 5

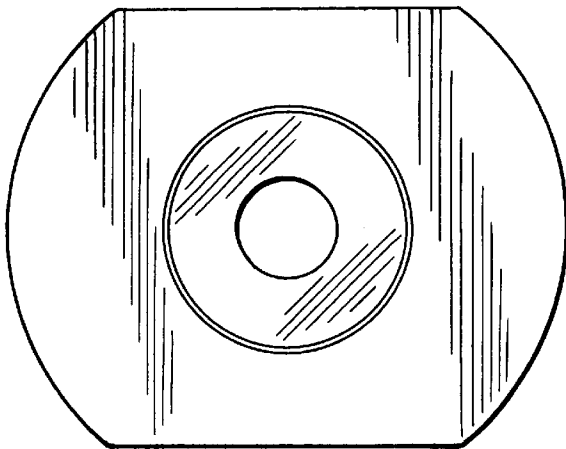


FIG. 6



FIG. 7