



US00D791565S

(12) **United States Design Patent** (10) **Patent No.:** **US D791,565 S**
Hyma et al. (45) **Date of Patent:** **** Jul. 11, 2017**

(54) **ROTARY HAMMER** 4,529,044 A 7/1985 Klueber et al.
4,612,999 A 9/1986 Bergler
(71) Applicant: **Milwaukee Electric Tool Corporation,** 4,719,976 A 1/1988 Bleicher et al.
Brookfield, WI (US) 4,732,217 A 3/1988 Bleicher et al.
4,804,048 A 2/1989 Porth, Jr.
(72) Inventors: **Steven W. Hyma,** Milwaukee, WI 4,930,583 A 6/1990 Fushiya et al.
(US); **Andrew J. Weber,** Cudahy, WI 5,036,925 A 8/1991 Wache
(US) 5,036,926 A 8/1991 Cavedo
D320,918 S * 10/1991 Mochida D8/68
(Continued)

(73) Assignee: **MILWAUKEE ELECTRIC TOOL CORPORATION,** Brookfield, WI (US)

FOREIGN PATENT DOCUMENTS

(**) Term: **15 Years** GB 1512214 5/1978
GB 2147240 5/1985
(21) Appl. No.: **29/554,150** WO WO 03024671 3/2003
WO WO 2009083317 7/2009

(22) Filed: **Feb. 9, 2016**

OTHER PUBLICATIONS

Related U.S. Application Data

DCH213L2—Parts list for DeWalt model No. DCH213L2 rotary hammer, www.dewaltseryicenet.com 5 pages, 2005.
(Continued)

(60) Continuation of application No. 14/150,711, filed on Jan. 8, 2014, now Pat. No. 9,289,890, which is a division of application No. 13/326,525, filed on Dec. 15, 2011, now Pat. No. 8,636,081.

Primary Examiner — Darlington Ly
(74) *Attorney, Agent, or Firm* — Michael Best & Friedrich LLP

(51) **LOC (10) Cl.** **08-04**
(52) **U.S. Cl.**
USPC **D8/69**

(57) **CLAIM**

(58) **Field of Classification Search**
USPC D8/14.1, 61–70
CPC B25D 16/00; B25D 17/00; B25F 5/02
See application file for complete search history.

We claim the ornamental design for a rotary hammer, as shown and described.

DESCRIPTION

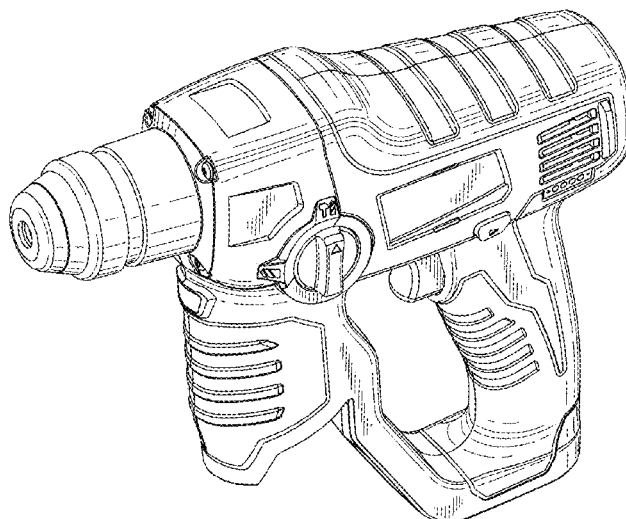
(56) **References Cited**

FIG. 1 is a front perspective view of a rotary hammer showing our new design;
FIG. 2 is a left side elevation view thereof;
FIG. 3 is a right side elevation view thereof;
FIG. 4 is a front elevation view thereof;
FIG. 5 is a rear elevation view thereof; and
FIG. 6 is a top plan view thereof; and,
FIG. 7 is a bottom plan view thereof.

U.S. PATENT DOCUMENTS

3,835,715 A 9/1974 Howell
1,929,195 A 12/1975 Stiltz et al.
3,952,239 A 4/1976 Owings et al.
4,064,949 A 12/1977 Chromy
4,299,294 A 11/1981 Womack
4,332,340 A 6/1982 Harris
4,431,062 A 2/1984 Wanner et al.
4,446,931 A 5/1984 Bleicher et al.

1 Claim, 7 Drawing Sheets



(56)

References Cited

U.S. PATENT DOCUMENTS

5,057,498 A 10/1991 Gustafsson et al.
 5,088,566 A 2/1992 Gustafsson et al.
 5,099,926 A 3/1992 Fushiya et al.
 5,125,461 A 6/1992 Hoser
 5,159,986 A 11/1992 Hoser
 5,161,624 A 11/1992 Beck et al.
 5,226,487 A 7/1993 Spektor
 5,277,759 A 1/1994 Schmid et al.
 5,320,177 A 6/1994 Shibata et al.
 5,379,848 A 1/1995 Rauser
 5,435,397 A 7/1995 Demuth
 5,449,043 A 9/1995 Bourner et al.
 5,588,496 A 12/1996 Elger
 D378,654 S * 4/1997 Matsuoka D8/69
 5,664,634 A 9/1997 McCracken
 5,732,782 A 3/1998 Funfer
 5,775,440 A 7/1998 Shin ma
 5,787,996 A 8/1998 Funfer
 5,793,134 A 8/1998 Worm
 5,871,059 A 2/1999 Shibata et al.
 5,873,418 A 2/1999 Arakawa et al.
 5,954,140 A 9/1999 Bauer
 5,975,217 A 11/1999 Frenzel et al.
 5,996,708 A 12/1999 Gerold
 6,035,945 A 3/2000 Ichijyou et al.
 6,076,436 A 6/2000 Farley
 6,109,364 A 8/2000 Demuth et al.
 6,112,830 A 9/2000 Ziegler et al.
 6,116,352 A 9/2000 Frauhammer et al.
 6,192,996 B1 2/2001 Sakaguchi et al.
 D442,452 S * 5/2001 Stirm D8/67
 6,223,833 B1 5/2001 Thurler et al.
 6,237,700 B1 5/2001 Berger et al.
 6,357,533 B1 * 3/2002 Buchholz H01M 2/1022
 173/217
 6,431,290 B1 8/2002 Muhr et al.
 6,460,627 B1 10/2002 Below et al.
 6,523,622 B1 2/2003 Berger et al.
 6,527,280 B2 3/2003 Frauhammer et al.
 6,550,546 B2 4/2003 Thurler et al.
 6,557,648 B2 5/2003 Ichijyou et al.
 6,568,484 B1 5/2003 Schmid et al.
 6,666,284 B2 12/2003 Stirm
 6,688,406 B1 2/2004 Wu et al.
 6,691,796 B1 2/2004 Wu
 6,732,815 B2 5/2004 Hanke et al.
 6,733,414 B2 5/2004 Elger
 D491,438 S * 6/2004 Cheung D8/68
 D502,377 S * 3/2005 Aglassinger D8/69
 6,874,585 B2 4/2005 Zhao
 6,913,089 B2 7/2005 Stirm
 6,913,090 B2 7/2005 Droste et al.
 6,932,166 B1 8/2005 Kirsch
 6,938,704 B2 9/2005 Berger et al.
 6,948,571 B2 9/2005 Hanke et al.
 6,955,230 B2 10/2005 Meixner
 6,971,455 B2 12/2005 Shibata et al.
 6,971,456 B2 * 12/2005 Yamada B25F 5/008
 173/168
 6,997,269 B1 2/2006 Putney et al.
 7,021,400 B2 4/2006 Oretti
 7,021,401 B2 4/2006 Droste et al.
 7,032,683 B2 4/2006 Hetcher et al.
 7,032,688 B2 4/2006 Kirsch
 7,036,607 B2 5/2006 Lebisch et al.
 7,070,008 B2 7/2006 Baumann et al.
 7,096,972 B2 8/2006 Orozco, Jr.
 D535,537 S * 1/2007 Aglassinger D8/69
 7,174,969 B2 2/2007 Droste
 7,287,600 B2 10/2007 Braun
 D555,451 S * 11/2007 Okuda D8/69
 7,296,635 B2 11/2007 Droste

7,306,048 B2 12/2007 Yamazaki
 7,325,624 B2 2/2008 Yamazaki
 7,395,872 B2 7/2008 Duesselberg et al.
 7,398,835 B2 7/2008 Stirm
 7,404,450 B2 7/2008 Izumisawa et al.
 7,404,451 B2 7/2008 Neumann
 D575,606 S * 8/2008 Okouchi D8/69
 D581,235 S * 11/2008 Aglassinger D8/69
 7,455,121 B2 11/2008 Saito et al.
 7,469,752 B2 12/2008 Furusawa et al.
 RE40,643 E 2/2009 Stirm
 D586,639 S * 2/2009 Yamamoto D8/69
 D587,547 S * 3/2009 Aglassinger D8/69
 7,497,272 B2 3/2009 Strasser et al.
 7,521,831 B2 4/2009 Smirnov et al.
 D592,028 S * 5/2009 Taniguchi D8/69
 D595,101 S * 6/2009 Bast D8/68
 7,591,324 B2 9/2009 Saur
 D604,583 S * 11/2009 Yamamoto D8/69
 7,635,032 B2 12/2009 Saur et al.
 7,648,383 B2 1/2010 Matthias et al.
 D610,478 S * 2/2010 Bast D10/69
 7,726,414 B2 6/2010 Berger et al.
 7,743,846 B2 6/2010 Gensmann et al.
 7,753,135 B2 7/2010 Lennartz
 7,802,711 B2 9/2010 Fuenfer
 7,818,880 B2 10/2010 Heep et al.
 7,857,074 B2 12/2010 Meixner
 8,011,442 B2 9/2011 Lennartz
 D646,136 S * 10/2011 Aglassinger D8/69
 D663,183 S * 7/2012 Sell D8/69
 D676,731 S * 2/2013 Aglassinger D8/69
 D691,011 S * 10/2013 Walz D8/68
 8,636,081 B2 1/2014 Ludy et al.
 D706,603 S * 6/2014 Kokawa D8/16
 D716,626 S * 11/2014 Sell D8/69
 2002/0050367 A1 5/2002 Manschitz
 2006/0124333 A1 6/2006 Berger
 2007/0034398 A1 2/2007 Murakami et al.
 2007/0215369 A1 9/2007 Stark et al.
 2008/0029283 A1 2/2008 Hammerstingl
 2008/0164042 A1 7/2008 Mascall
 2008/0169111 A1 7/2008 Duesselberg et al.
 2008/0217039 A1 9/2008 Fuenfer et al.
 2008/0217040 A1 9/2008 Loeffler et al.
 2009/0032305 A1 2/2009 Weddfelt
 2009/0065226 A1 3/2009 John et al.
 2009/0126959 A1 5/2009 Stark et al.
 2009/0145618 A1 6/2009 Duesselberg et al.
 2009/0159304 A1 6/2009 Teranishi et al.
 2009/0200054 A1 8/2009 Lennartz
 2009/0223692 A1 9/2009 Yoshikane
 2009/0260842 A1 10/2009 Randa
 2009/0308626 A1 12/2009 Saur
 2009/0321101 A1 12/2009 Furusawa et al.
 2010/0000748 A1 1/2010 Machida et al.
 2010/0051303 A1 3/2010 Ullrich et al.
 2010/0084151 A1 4/2010 Kuhnle et al.
 2010/0096153 A1 4/2010 Ullrich et al.
 2010/0101814 A1 4/2010 Bernhardt et al.
 2010/0108339 A1 5/2010 Engelfried et al.
 2010/0236804 A1 9/2010 Kriedel et al.
 2010/0270046 A1 10/2010 Schlesak et al.
 2010/0300715 A1 12/2010 Storm et al.
 2010/0300717 A1 12/2010 Baumann et al.
 2011/0005791 A1 1/2011 Baumann et al.
 2011/0017483 A1 1/2011 Baumann et al.

OTHER PUBLICATIONS

DeWalt D25012K—Parts list for DeWalt model No. D25012K rotary hammer, www.dewaltservicenet.com, 5 pages, 2005.
 International Search Report and Written Opinion for Application No. PCT/US2011/065757 dated Nov. 14, 2012 (7 pages).

* cited by examiner

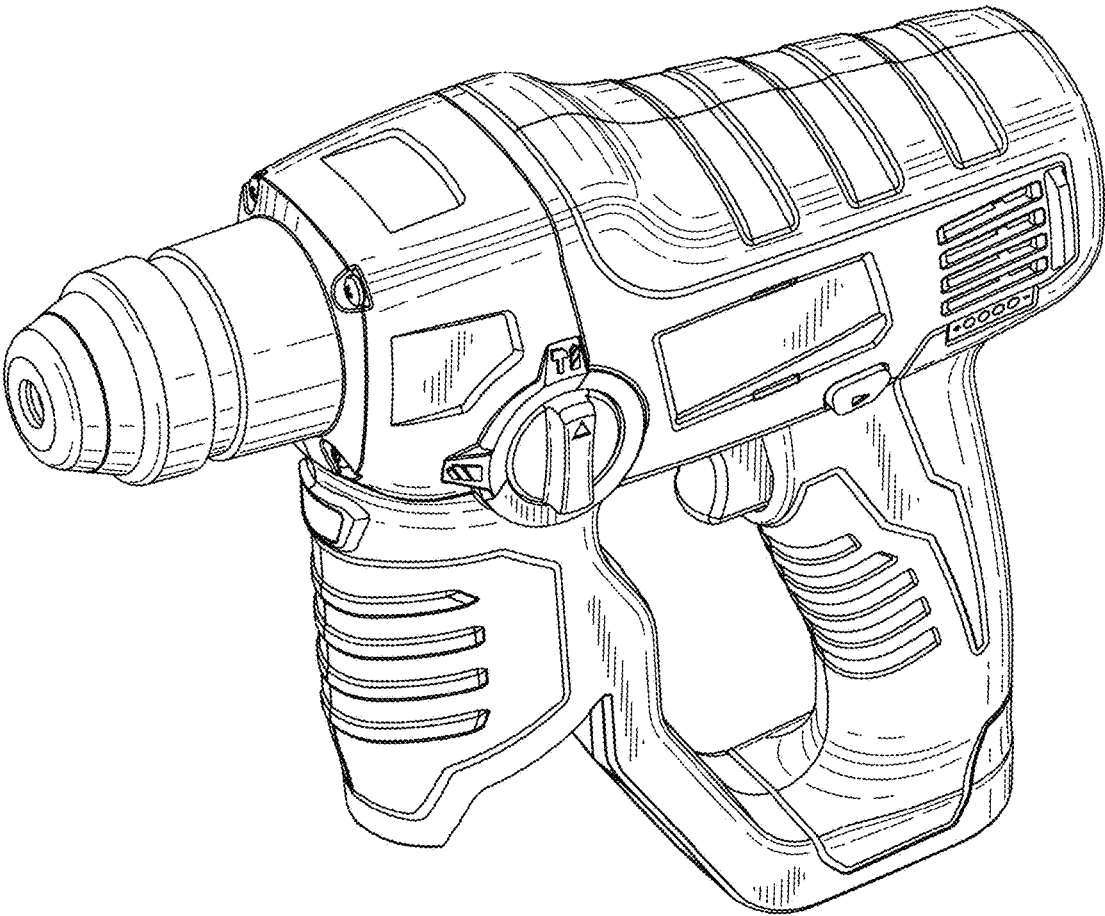


FIG. 1

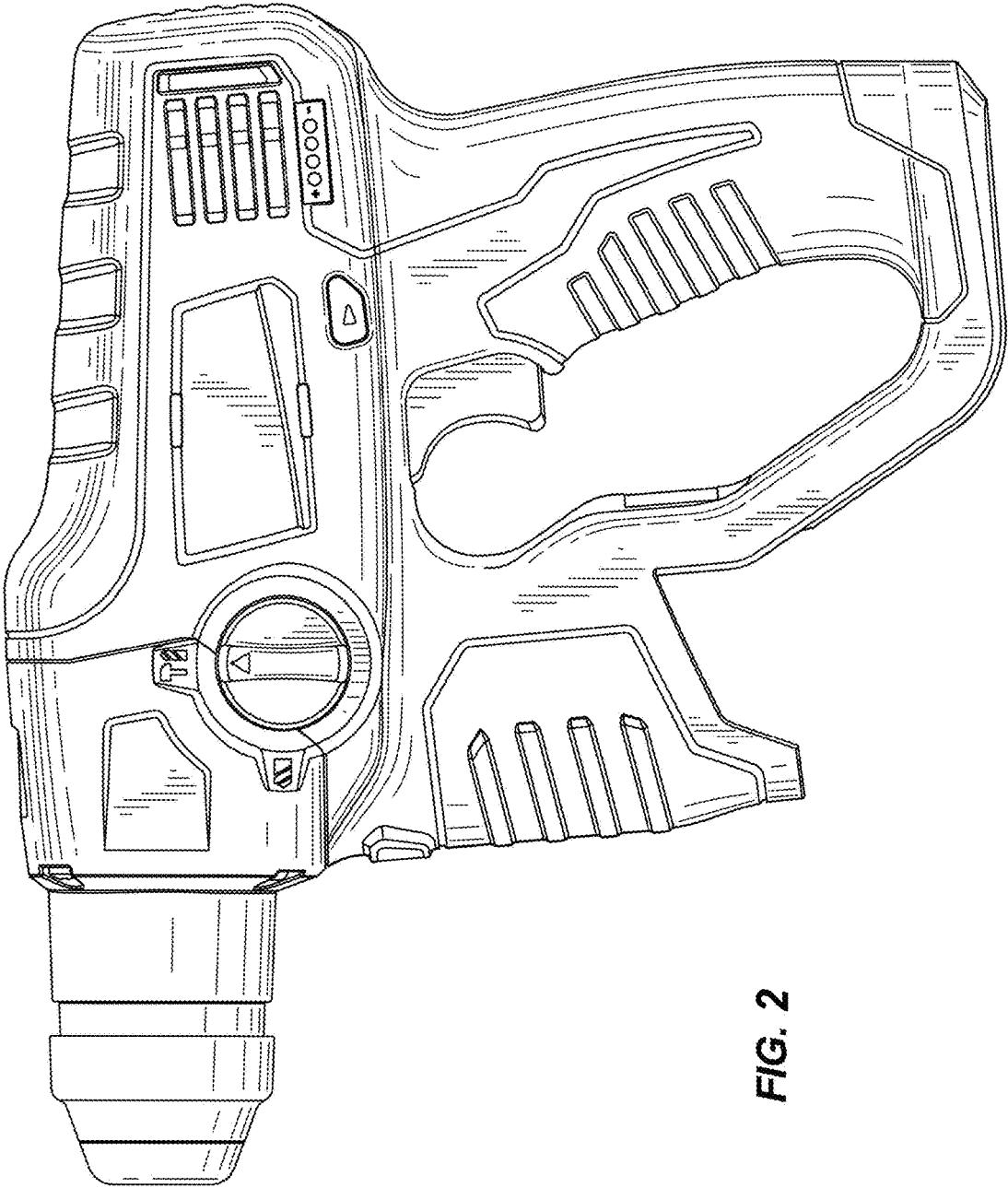


FIG. 2

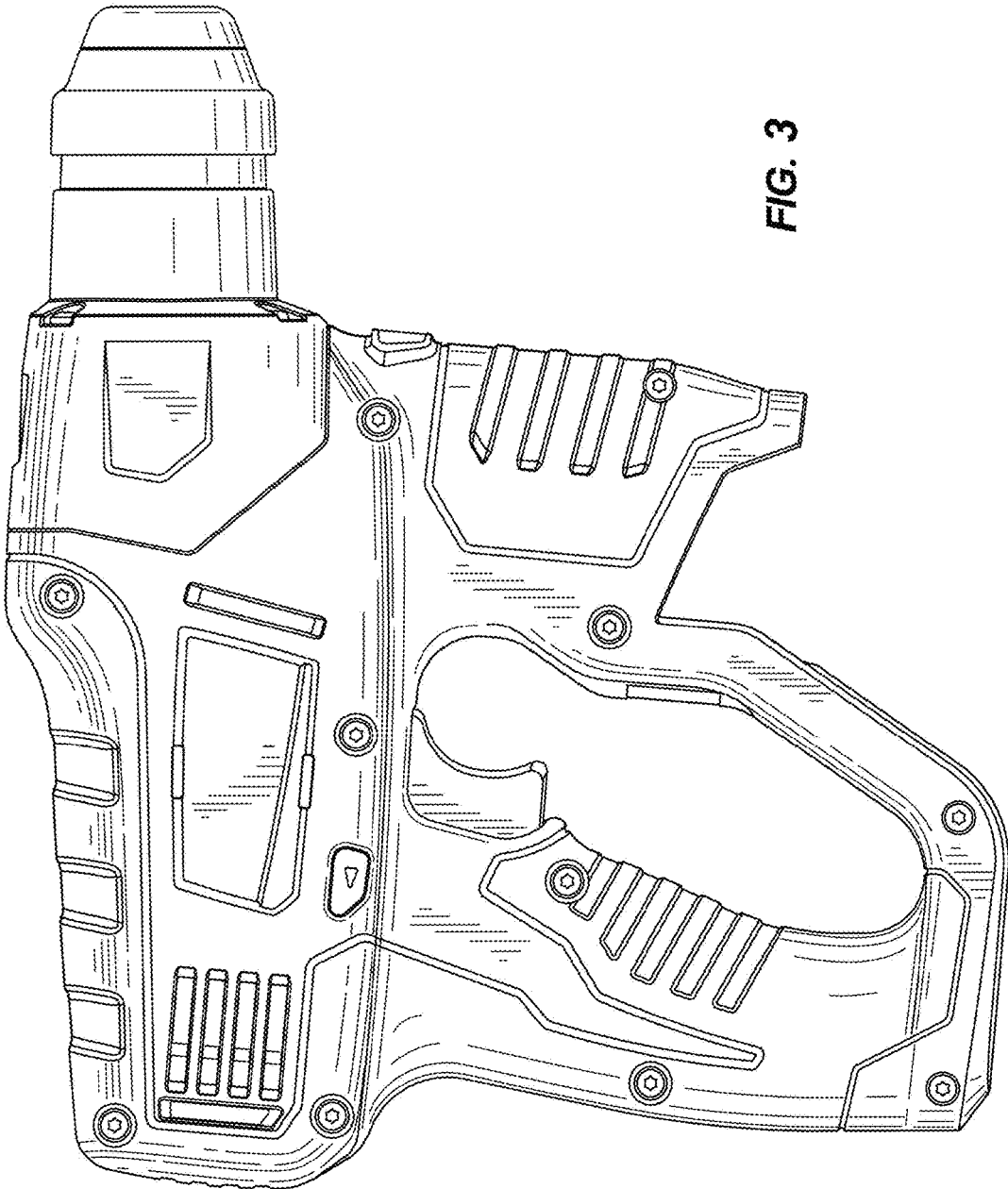


FIG. 3

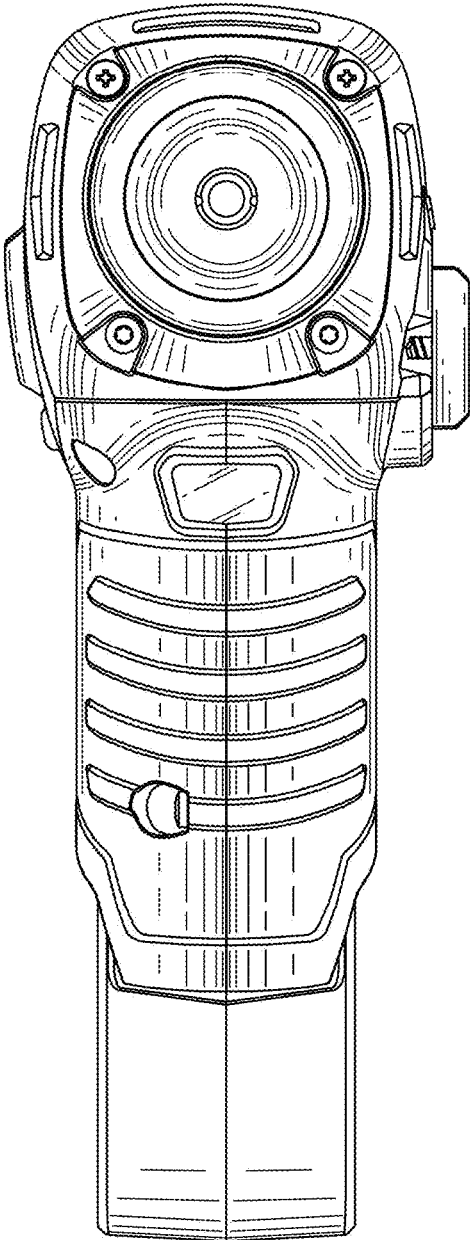


FIG. 4

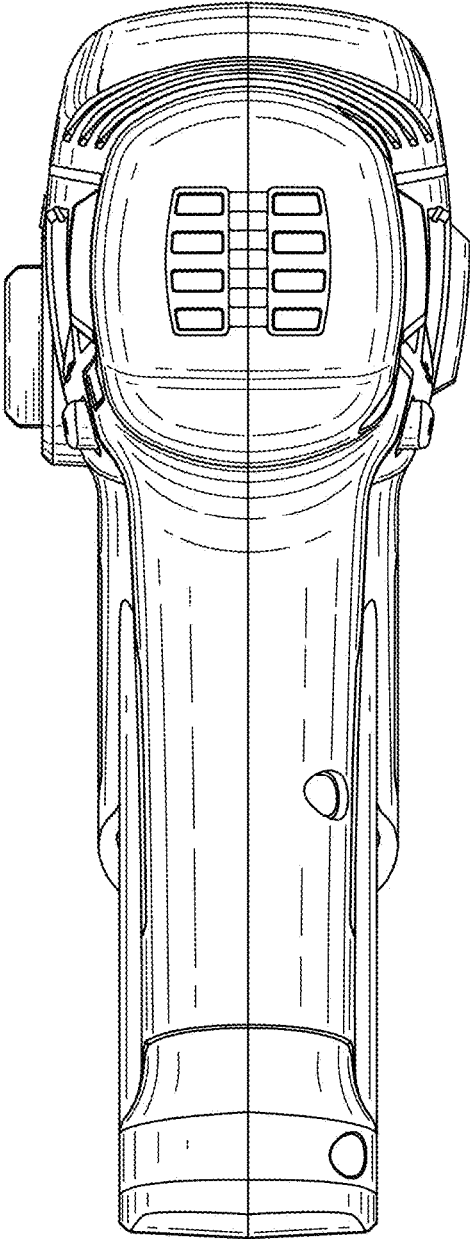


FIG. 5

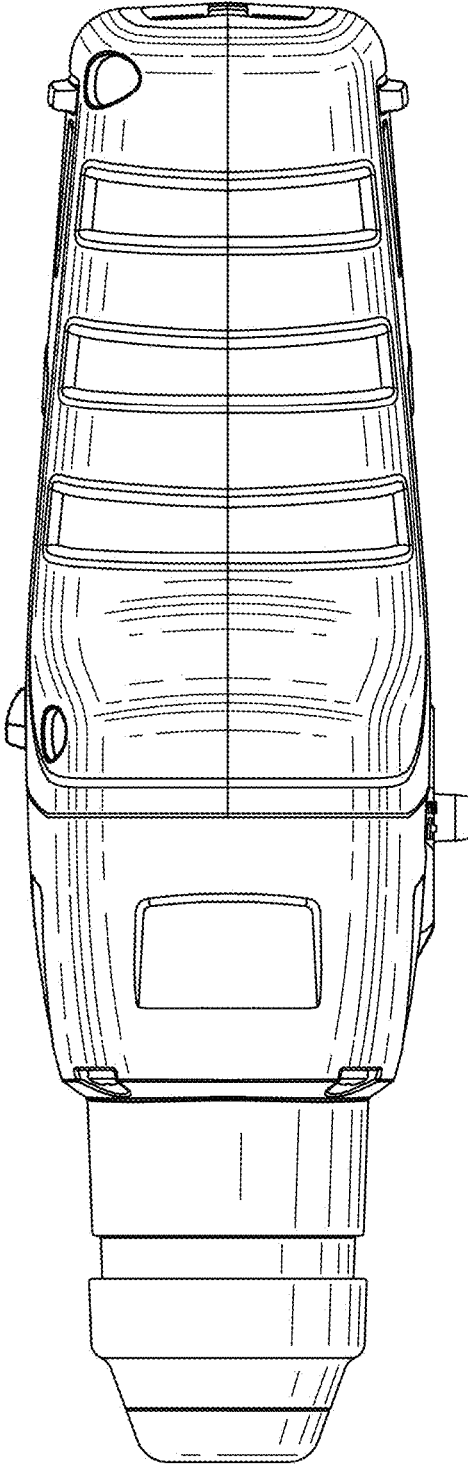


FIG. 6

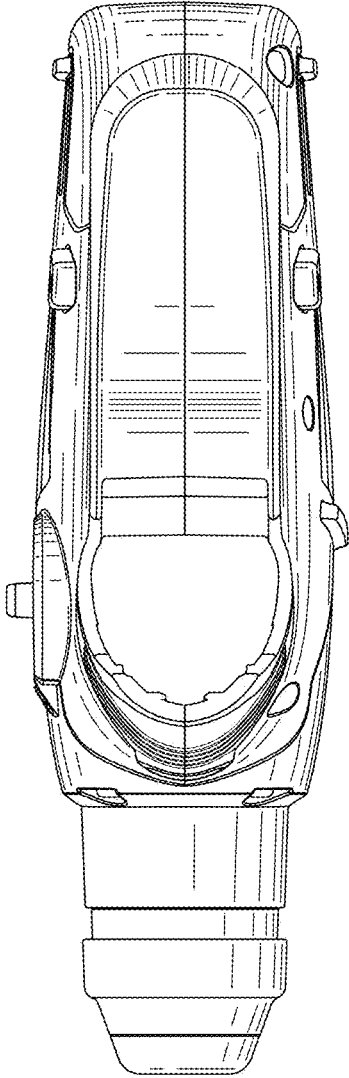


FIG. 7