

200,548

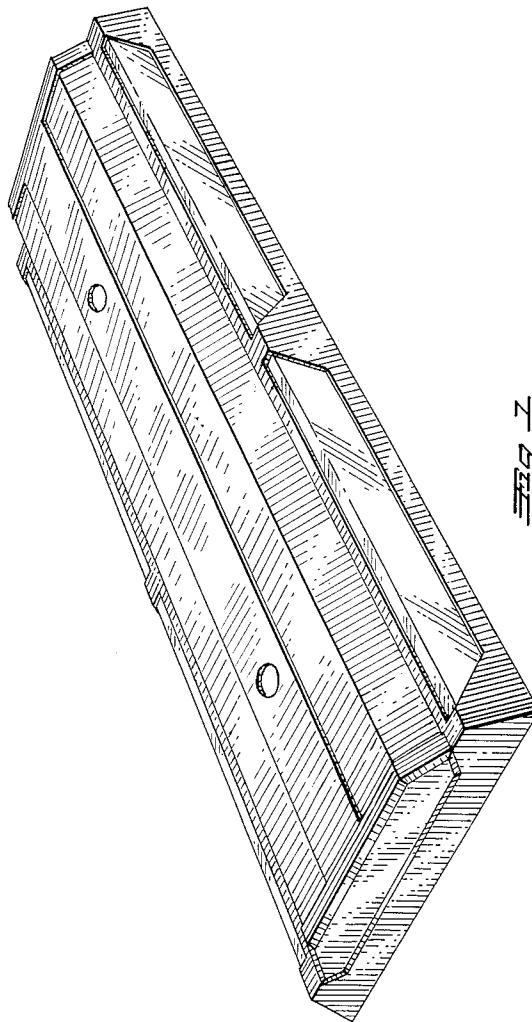
## FLUORESCENT LIGHT FIXTURE

Melbourne C. Reeves, 4990 Acoma St., Denver, Colo.

Filed May 3, 1963, Ser. No. 74,729

Term of patent 14 years

(Cl. D48—23)



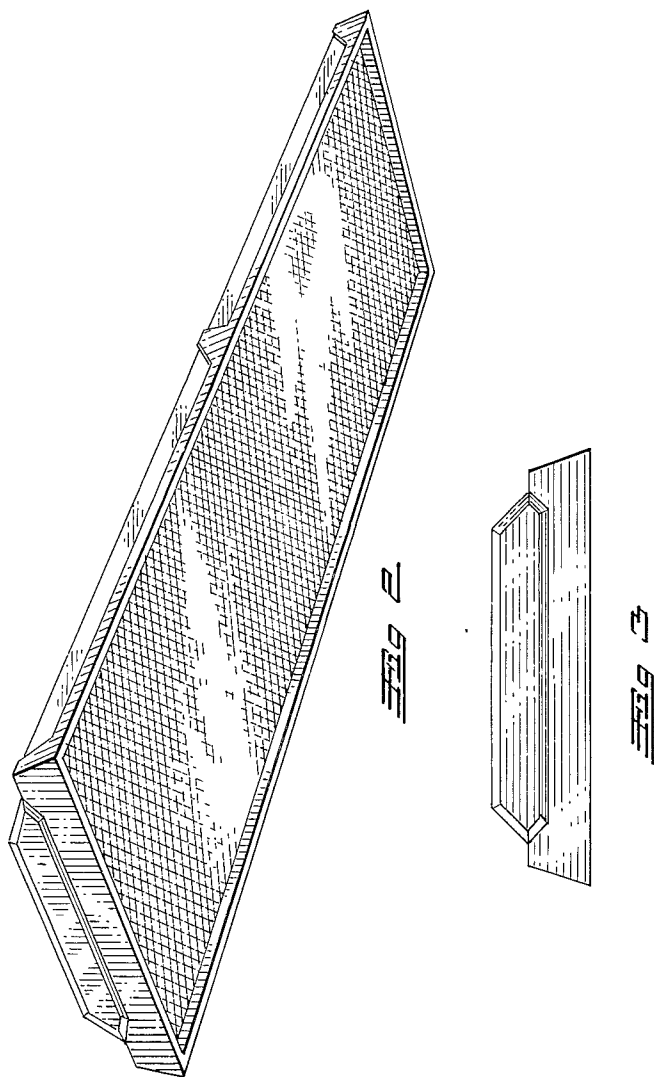


FIG. 1 is a perspective view looking downwardly toward one end of a fluorescent light fixture showing my new design;

FIG. 2 is a similar perspective view thereof looking upwardly toward one end thereof; and

FIG. 3 is an end view thereof.

The opposite side and the opposite end are identical to the side and end, respectively, as shown on the drawing.

The dominate features of my design reside in the portions shown in full lines.

I claim:

The ornamental design for a fluorescent light fixture, as shown and described.

**References Cited by the Examiner**

**UNITED STATES PATENTS**

D. 180,446	6/57	Hurley	-----	D48—23
D. 192,745	5/62	Guth	-----	D48—23

**OTHER REFERENCES**

Lighting, September 1960, page inside rear cover, "Keystone Mfg., the Viking" lighting fixture.

WALLACE R. BURKE, *Acting Primary Examiner.*